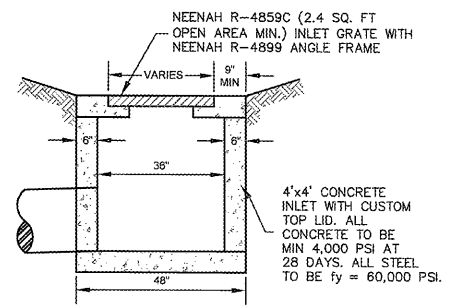
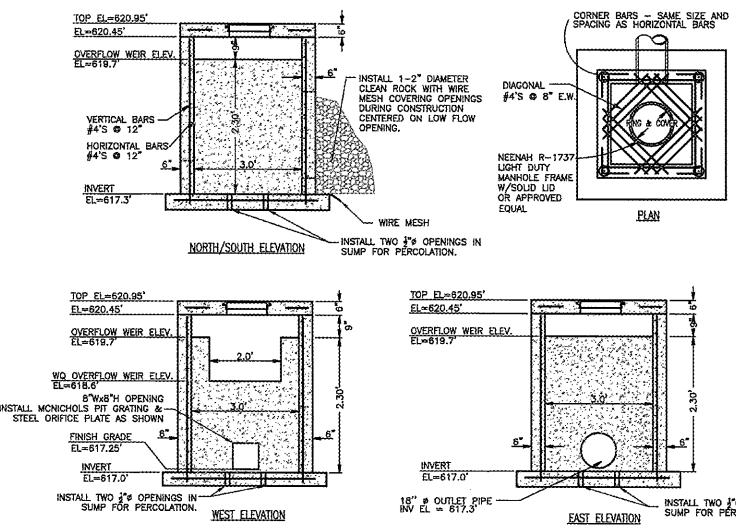


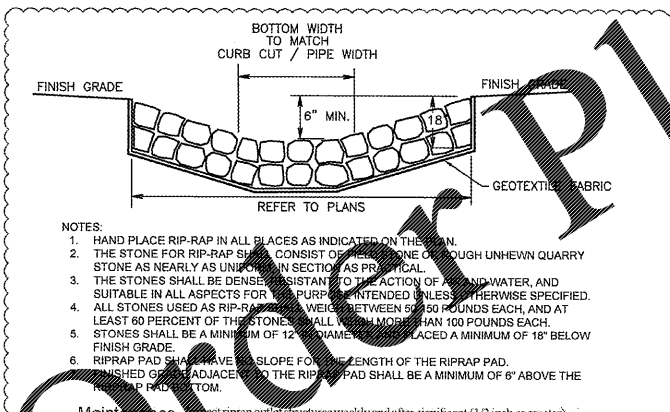
1 DOWNSPOUT COLLECTOR
C1.2 SCALE: NOT TO SCALE



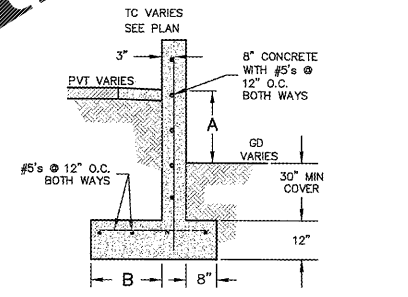
2 4' X 4' AREA INLET
C1.2 SCALE: NOT TO SCALE



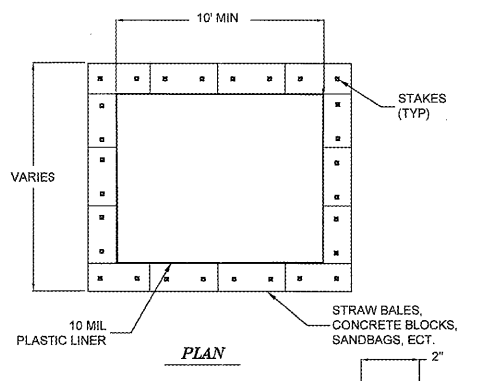
3 DETENTION OUTLET STRUCTURE
C1.2 SCALE: NOT TO SCALE



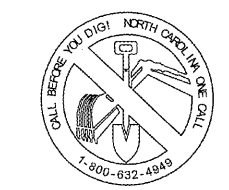
4 RIP RAP PAD
C1.2 SCALE: NOT TO SCALE



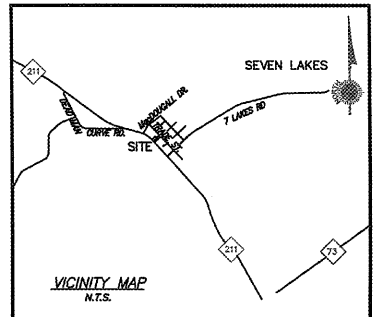
5 RETAINING CURB
C1.2 SCALE: NOT TO SCALE



6 CONCRETE WASHOUT
C1.2 SCALE: NOT TO SCALE



Know what's below.
Call before you dig.



ANDERSON ENGINEERING
EMPLOYEE OWNED
ENGINEERS - SURVEYORS - LABORATORIES - DRILLING
2043 W. WOODBURN RD. SUITE 100
SPRINGFIELD, MISSOURI 65807
WWW.ANDERSONENGINEERING.COM
DWG BY: MFR PROJ# 10017 DRAWING # WB-111-001



CRAIG A. SCHNEIDER, AIA
ARCHITECT
1736 East Sunshine, Suite 417
Springfield, Missouri 65804
417.862.2665
Fax: 417.862.2665
e-mail: architect@eterfscneider.com

PROJECT:
NEW O'REILLY AUTO PARTS STORE
NC STATE HWY 211
SEVEN LAKES, NC
STORMWATER DETAILS

O'Reilly AUTO PARTS
CORPORATE OFFICES
233 SOUTH PATTERSON
SPRINGFIELD, MISSOURI 65802
(417) 862-2674 TELEPHONE

COMM #	4155
DATE:	3-23-18
REVISION DATE:	8-8-18
	8-30-18