

NATIONAL ACCOUNT ROOFTOP UNIT SCHEDULE - 5 TON - HEAT PUMP (3-PHASE)

RTU - RESPONSIBILITIES

1. ALL CARRIER HVAC UNITS ARE OWNER SUPPLIED BY O'REILLY AUTOMOTIVE.
2. MECHANICAL CONTRACTOR IS RESPONSIBLE FOR THE INSTALLATION OF ALL CARRIER HVAC UNITS.
3. MECHANICAL CONTRACTOR IS RESPONSIBLE FOR THE FIRST YEAR LABOR WARRANTY ON ALL OWNER SUPPLIED EQUIPMENT.
4. MECHANICAL CONTRACTORS WORKING ON O'REILLY PROJECTS MUST CALL "CARRIER CORPORATION'S NATIONAL ACCOUNTS" DEPARTMENT FOR CONFIRMATION OF ORDERS ONLY!
5. MECHANICAL CONTRACTOR IS RESPONSIBLE FOR SCHEDULING, SHIPPING & RECEIVING OF ALL CARRIER UNITS FROM CARRIER NATIONAL ACCOUNTS. CONTACT CUSTOMER SERVICE REP. LISTED TO THE RIGHT.

CALL THE CARRIER CUSTOMER SERVICE REP. BELOW FOR CONFIRMATION OF ORDERS. DO NOT CALL CARRIER FOR QUOTES!

CARRIER CORPORATION, STRATEGIC ACCOUNTS
CARRIER PARKWAY
SYRACUSE, NEW YORK 13221

CUSTOMER SERVICE REPS:
MARIA CAMPANELLO 315-432-3946
Mario.campanello@carrier.utc.com

ACCOUNT MANAGER:
PAUL WITZ
CELL 315-317-2481
paul.witz@carrier.utc.com

MARK	DESCRIPTION	MFR.	CATALOG NUMBER	HTG. MBH		CLG. MBH	SEER	EER	HSPF	SUPPLY FAN				ELECTRICAL	Wt. (lbs.)	ACCESSORIES	REMARKS	REF. DETL.	
				IN H.P.	OUT					CFM	O.A.	ESP	HP						MCA
RTU-3	WEATHERMASTER PACKAGED ROOFTOP UNIT 5-TON	CARRIER	50HC0A6K2M5-4F1D0	15.8 KW	53.93	61.5	47.3	15.00	12.50	8.20	2000	△	0.6	1.0	85	90+	750	SEE BELOW	△△△ 1/2 2/M2

ACCESSORIES - FACTORY SUPPLIED AND INSTALLED

SD - RETURN AIR SMOKE DETECTOR.
COF - CONDENSATE OVERFLOW SWITCH (CAN'T BE USED WITH HORIZONTAL RETURN UNITS).
MB - MEDIUM STATIC BLOWER (SINGLE SPEED).
HG - LOUVERED HAIL GUARDS.
UPO - UN-POWERED CONVENIENCE OUTLET (FIELD POWERED), 15AMP, 120V, GROUND FAULT CIRCUIT INTERRUPTER (GFCI) TYPE.
TBE - THRU-THE-BOTTOM-ELECTRIC SERVICE. (SEE ROOF TOP UNIT DETAILS).
SS - HI & LOW REFRIGERANT SAFETY SWITCHES. (STANDARD ON EVERY UNIT)
AF - 2" RETURN AIR FILTERS. (STANDARD ON EVERY UNIT)
EC - ENTHALPY ECONOMIZER IV, W/BAROMETRIC RELIEF.

ACCESSORIES - FACTORY SUPPLIED & FIELD INSTALLED

EH - ELECTRIC RESISTANCE HEATER KIT. (SEE ABOVE FOR SIZE)
SPW - SINGLE POINT WIRING KIT FOR ELECTRIC HEATER.
CO2 - CO2 SENSOR, WALL MOUNT. #33ZCSP02LCD-01
RTRS - REMOTE TEST/RESET STATION. CARRIER #SD-TRM(CRS02ST001400) FOR REMOTE TESTING/RESETTING OF DUCT SMOKE DETECTOR. SEE HVAC PLAN FOR MOUNTING LOCATIONS.
HSA - ALARM/SIREN. CARRIER #6536-05(CRS02HNS001A00). AUDIBLE/VISUAL SIGNAL DEVICE FOR SIGNALING ALARM OF DUCT SMOKE DETECTOR. SEE HVAC PLAN FOR MOUNTING LOCATIONS.

ACCESSORIES - O'REILLY SUPPLIED & FIELD INSTALLED

TS1 - GRIDPOINT THERMOSTAT (NO SUBSTITUTIONS). REFER TO EM SHEETS.
DS - NON-FUSED DISCONNECT SWITCH. (GRAYBAR/O'REILLY) SUPPLIED W/ ELECTRICAL BILL OF MATERIALS.

ACCESSORIES - FIELD SUPPLIED & FIELD INSTALLED

RC1 - ROOF CURB. (12" STANDARD, 14" IN EXTREME SNOW DRIFT AREA'S) ON NEW BUILDING, ROOF CURB IS BY BUILDING MANUFACTURER. ON EXISTING BUILDING, ROOF CURB IS BY GENERAL CONTRACTOR. WEIGHT OF ROOF CURB IS NOT INCLUDED IN THE WEIGHT ABOVE.

REMARKS

△ COOLING CAPACITY BASED ON 80°F EDB AND 67°F EWB.
HEAT PUMP HEATING CAPACITY BASED ON 47° O.D. & 70° RETURN AIR.
△ CAPACITY BASED ON 95°F AMBIENT TEMPERATURE.

△ NOTE HVAC COMPLETION, AT CONSTRUCTION COMPLETION:
1. CONTRACTOR SHALL REPLACE ALL RETURN AIR FILTERS INSIDE ALL HVAC UNITS W/CLEAN NEW AIR FILTERS.
2. CONTRACTOR SHALL SUPPLY AN ADDITIONAL CLEAN SET OF FILTERS TO THE OWNER AT JOB COMPLETION.
3. CONTRACTOR SHALL SHOW THE STORE MANAGER THE LOCATION OF & INSTRUCT HIM/HER HOW TO CHANGE ALL AIR FILTERS.

△ FACTORY EQUIPPED WITH STANDARD LOW AMBIENT COOLING TO 30°F ODB.
△ OUTSIDE AIR, SEE PLAN FOR UNIT(S) REQUIRING OUTSIDE AIR.
△ REFRIGERANT = R410A (PURON).
* MAXIMUM CIRCUIT BREAKER OR TIME-DELAY FUSE.

NATIONAL ACCOUNT ROOFTOP UNIT SCHEDULE - 7.5 TON - HEAT PUMP (3-PHASE)

RTU - RESPONSIBILITIES

1. ALL CARRIER HVAC UNITS ARE OWNER SUPPLIED BY O'REILLY AUTOMOTIVE.
2. MECHANICAL CONTRACTOR IS RESPONSIBLE FOR THE INSTALLATION OF ALL CARRIER HVAC UNITS.
3. MECHANICAL CONTRACTOR IS RESPONSIBLE FOR THE FIRST YEAR LABOR WARRANTY ON ALL OWNER SUPPLIED EQUIPMENT.
4. MECHANICAL CONTRACTORS WORKING ON O'REILLY PROJECTS MUST CALL "CARRIER CORPORATION'S NATIONAL ACCOUNTS" DEPARTMENT FOR CONFIRMATION OF ORDERS ONLY!
5. MECHANICAL CONTRACTOR IS RESPONSIBLE FOR SCHEDULING, SHIPPING & RECEIVING OF ALL CARRIER UNITS FROM CARRIER NATIONAL ACCOUNTS. CONTACT CUSTOMER SERVICE REP. LISTED TO THE RIGHT.

CALL THE CARRIER CUSTOMER SERVICE REP. BELOW FOR CONFIRMATION OF ORDERS. DO NOT CALL CARRIER FOR QUOTES!

CARRIER CORPORATION, STRATEGIC ACCOUNTS
CARRIER PARKWAY
SYRACUSE, NEW YORK 13221

CUSTOMER SERVICE REPS:
MARIA CAMPANELLO 315-432-3946
Mario.campanello@carrier.utc.com

ACCOUNT MANAGER:
PAUL WITZ
CELL 315-317-2481
paul.witz@carrier.utc.com

MARK	DESCRIPTION	MFR.	CATALOG NUMBER	HTG. MBH		CLG. MBH	SEER	EER	COP	H.P.	SUPPLY FAN				ELECTRICAL	Wt. (lbs.)	ACCESSORIES	REMARKS	REF. DETL.	
				IN H.P.	OUT						STAGE 1 TOT./SENS.	STAGE 2 TOT./SENS.	TTL. COOL TOT./SENS.	CFM						O.A.
RTU-1	WEATHERMASTER PACKAGED ROOFTOP UNIT 7.5-TON	CARRIER	50HC0B0K2M5-4F1D0	24.0 KW	81.91	46/34.5	46/34.5	92/69	12.80	12.10	3.50	3000	△	0.6	1.50	123	125+	1172	SEE BELOW	△△△ 1/2 2/M2

ACCESSORIES - FACTORY SUPPLIED AND INSTALLED

SD - RETURN AIR SMOKE DETECTOR.
COF - CONDENSATE OVERFLOW SWITCH (CAN'T BE USED WITH HORIZONTAL RETURN UNITS).
MB - MEDIUM STATIC BLOWER (SINGLE SPEED).
HG - LOUVERED HAIL GUARDS.
UPO - UN-POWERED CONVENIENCE OUTLET (FIELD POWERED), 15AMP, 120V, GROUND FAULT CIRCUIT INTERRUPTER (GFCI) TYPE.
TBE - THRU-THE-BOTTOM-ELECTRIC SERVICE. (SEE ROOF TOP UNIT DETAILS).
SS - HI & LOW REFRIGERANT SAFETY SWITCHES. (STANDARD ON EVERY UNIT)
AF - 2" RETURN AIR FILTERS. (STANDARD ON EVERY UNIT)
EC - ENTHALPY ECONOMIZER IV, W/BAROMETRIC RELIEF.

ACCESSORIES - FACTORY SUPPLIED & FIELD INSTALLED

EH - ELECTRIC RESISTANCE HEATER KIT. (SEE ABOVE FOR SIZE)
SPW - SINGLE POINT WIRING KIT FOR ELECTRIC HEATER.
CO2 - CO2 SENSOR, WALL MOUNT. #33ZCSP02LCD-01
RTRS - REMOTE TEST/RESET STATION. CARRIER #SD-TRM(CRS02ST001400) FOR REMOTE TESTING/RESETTING OF DUCT SMOKE DETECTOR. SEE HVAC PLAN FOR MOUNTING LOCATIONS.
HSA - ALARM/SIREN. CARRIER #6536-05(CRS02HNS001A00). AUDIBLE/VISUAL SIGNAL DEVICE FOR SIGNALING ALARM OF DUCT SMOKE DETECTOR. SEE HVAC PLAN FOR MOUNTING LOCATIONS.

ACCESSORIES - O'REILLY SUPPLIED & FIELD INSTALLED

TS1 - GRIDPOINT THERMOSTAT (NO SUBSTITUTIONS). REFER TO EM SHEETS.
DS - NON-FUSED DISCONNECT SWITCH. (GRAYBAR/O'REILLY) SUPPLIED W/ ELECTRICAL BILL OF MATERIALS.

ACCESSORIES - FIELD SUPPLIED & FIELD INSTALLED

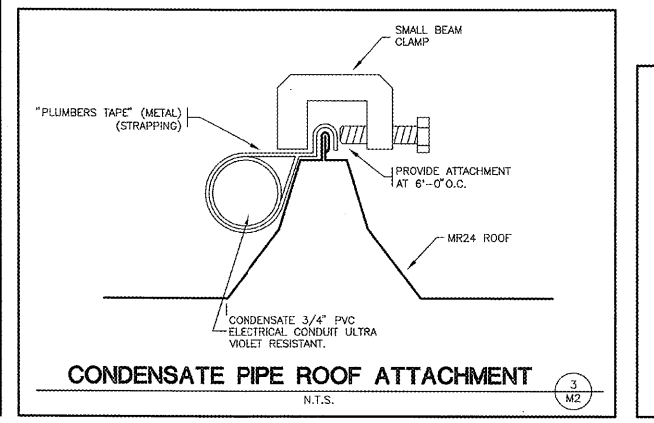
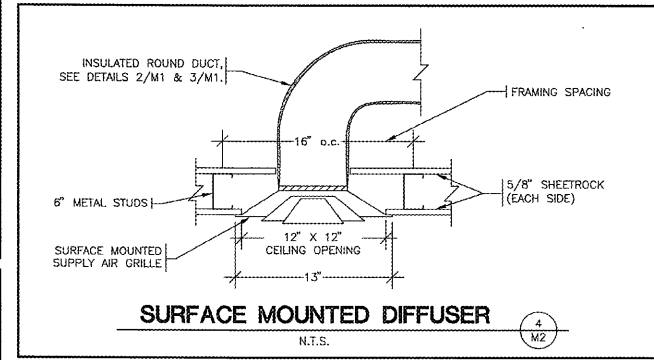
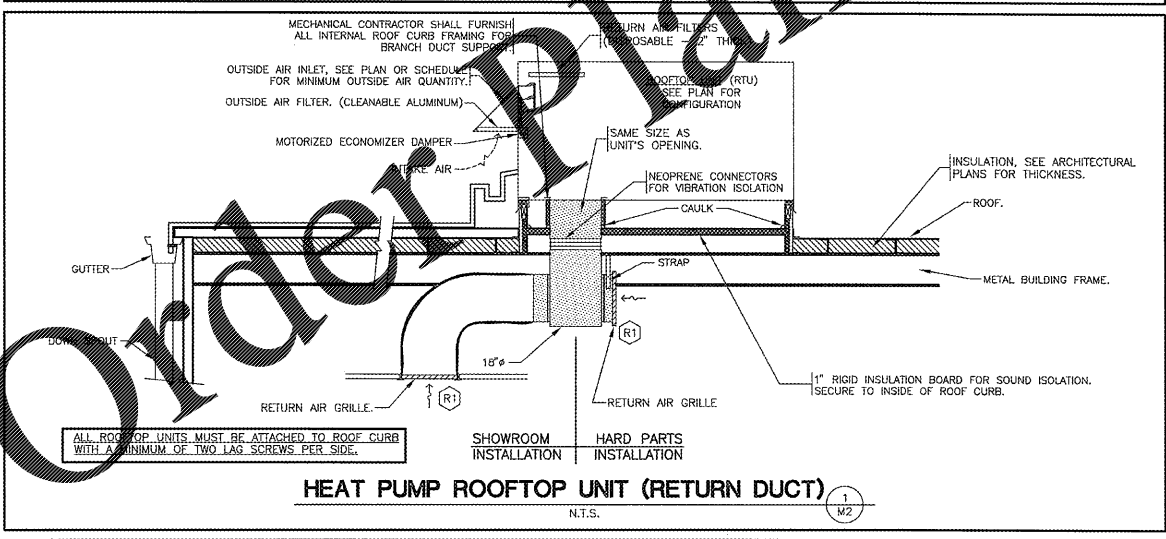
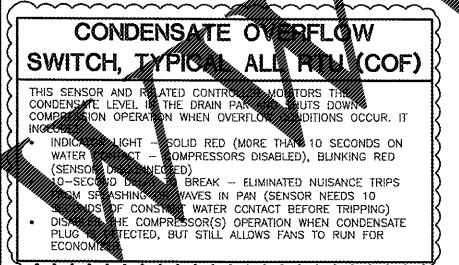
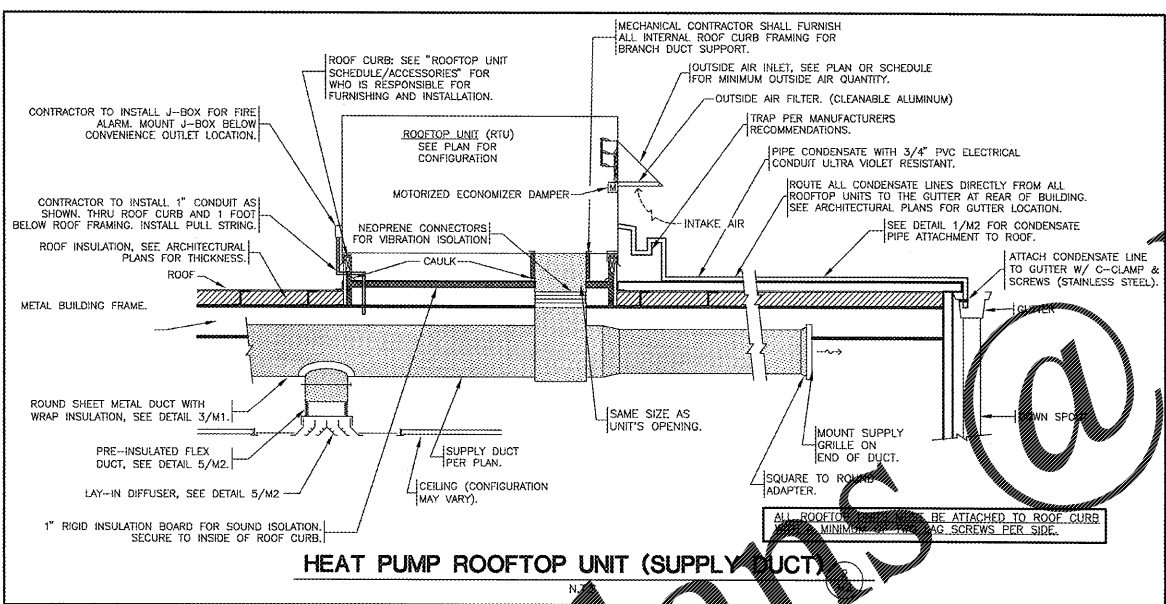
RC1 - ROOF CURB. (12" STANDARD, 14" IN EXTREME SNOW DRIFT AREA'S) ON NEW BUILDING, ROOF CURB IS BY BUILDING MANUFACTURER. ON EXISTING BUILDING, ROOF CURB IS BY GENERAL CONTRACTOR. WEIGHT OF ROOF CURB IS NOT INCLUDED IN THE WEIGHT ABOVE.

REMARKS

△ COOLING CAPACITY BASED ON 80°F EDB AND 67°F EWB.
HEAT PUMP HEATING CAPACITY BASED ON 47° O.D. & 70° RETURN AIR.
△ CAPACITY BASED ON 95°F AMBIENT TEMPERATURE.

△ NOTE HVAC COMPLETION, AT CONSTRUCTION COMPLETION:
1. CONTRACTOR SHALL REPLACE ALL RETURN AIR FILTERS INSIDE ALL HVAC UNITS W/CLEAN NEW AIR FILTERS.
2. CONTRACTOR SHALL SUPPLY AN ADDITIONAL CLEAN SET OF FILTERS TO THE OWNER AT JOB COMPLETION.
3. CONTRACTOR SHALL SHOW THE STORE MANAGER THE LOCATION OF & INSTRUCT HIM/HER HOW TO CHANGE ALL AIR FILTERS.

△ FACTORY EQUIPPED WITH STANDARD LOW AMBIENT COOLING TO 30°F ODB.
△ OUTSIDE AIR, SEE PLAN FOR UNIT(S) REQUIRING OUTSIDE AIR.
△ REFRIGERANT = R410A (PURON).
* MAXIMUM CIRCUIT BREAKER OR TIME-DELAY FUSE.



FAN SCHEDULE											
MARK	DESCRIPTION	MFR.	CATALOG NUMBER	CFM (NOM)	STATIC PRESS.	MOTOR H.P.	ELECTRICAL		ACCESSORIES	REMARKS	REF. DETAIL
							V/PH	MCA			
EE-1	INLINE EXHAUST FAN	COOK	GN-640	500	0.1	350W	120/1	-	BD,DS,WC	△△	-
EE-2	INLINE FAN	COOK	GN-640	500	0.1	350W	120/1	-	BD,DS,SS	△	-

ACCESSORIES
BD - GRAVITY BACK DRAFT DAMPER
DS - DISCONNECT SWITCH
WC - WALL CAP, "COOK" #WCA-6, ALUMINUM
SS - FAN SPEED SWITCH "COOK" #FSC (OFFICE ONLY)

APPROVED ALTERNATE MANUFACTURER'S
*GREENHECK *CARNES

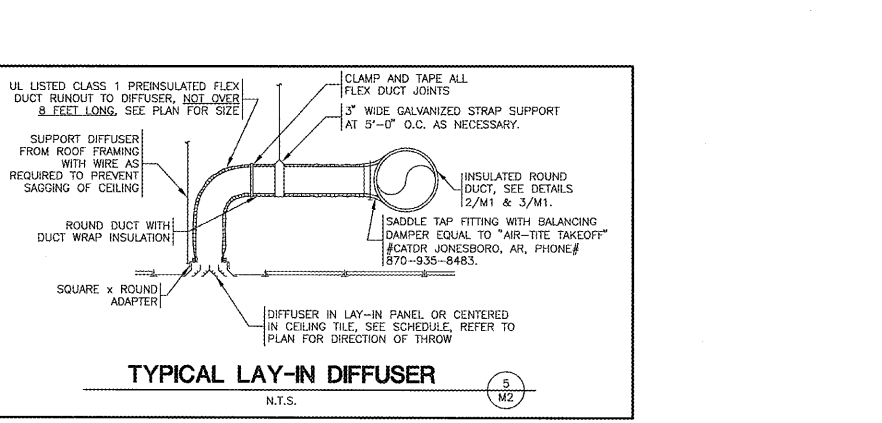
REMARKS
△ ADJUST FOR CFM REQUIRED.
△ EXHAUST FAN SHALL BE WIRED BY THE ELECTRICAL CONTRACTOR TO OPERATE WITH EITHER RESTROOM'S LIGHT SWITCH.
△ FAN IN OFFICE TO BE CONTROLLED BY FAN SPEED SWITCH.

GRILLE AND DIFFUSER SCHEDULE											
MARK	DESCRIPTION	MFR.	CATALOG NUMBER	SIZE (in.)	FINISH	MOUNTING	BRANCH DUCT SIZE	ACCESSORIES	REMARKS	REF. DETAIL	
G1	SUPPLY GRILLE	ANEMOSTAT	S2H0	14x14	WHITE	DUCT		OB	△	-	
D1	SUPPLY DIFFUSER	ANEMOSTAT	E-1-D	12x12	WHITE	SURFACE		DT	△△	4/M2	
D2	SUPPLY DIFFUSER	ANEMOSTAT	EPL	24x24	WHITE	DUCT/LAY-IN			△	5/M2	
R1	RETURN GRILLE	ANEMOSTAT	GC5	24x24	WHITE	LAY-IN/EXPOSED			△	5/M2	
R2	RETURN GRILLE	ANEMOSTAT	GC5	12x12	WHITE	SURFACE			△	4/M2	
X1	EXHAUST GRILLE	ANEMOSTAT	SSHS	12x12	WHITE	CEILING		OB	-	-	

ACCESSORIES
OB - OPPOSED BLADE DAMPER, DIRECTIONAL TABS.
DT - DIRECTIONAL TABS.

APPROVED ALTERNATE MANUFACTURER'S
*GRILLES, DIFFUSERS & DAMPERS:
*TITTLE & BAILEY *NAILOR *ARROW *CARNES
*PRICE INDUSTRIES *TITUS *KRUEGER

REMARKS
△ 1-WAY
△ 4-WAY
△ DIRECTIONAL TABS, ADJUST TO PROVIDE THROW AS INDICATED ON PLANS.



CRAIG A. SCHNEIDER, AIA
ARCHITECT
1736 East Sunshine, Suite 417
Springfield, Missouri 65804
e-mail: architect@esterjtschneider.com
417.862.6558
417.862.3265

O'Reilly AUTO PARTS
CORPORATE OFFICES
233 SOUTH PATTERSON
SPRINGFIELD, MISSOURI 65802
(417) 862-2674 TELEPHONE

PROJECT:
NEW O'REILLY AUTO PARTS STORE
NC STATE HWY 211
SEVEN LAKES, NC
HVAC DETAILS

COMM # 4155
DATE: 3-23-18
REVISION DATE: 8-8-18

M2 of 3