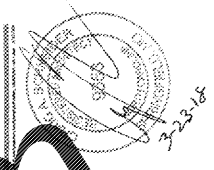


GENERAL NOTES

- (A) REFER TO PROJECT MANUAL AND SCOPE OF WORK SCHEDULE FOR ADDITIONAL REQUIREMENTS.
- (B) SHEET METAL AND ROOFING CONSTRUCTION SHALL COMPLY WITH NATIONAL ROOFING CONTRACTORS ASSOCIATION (NRCA) AND SHEET METAL AND AIR CONDITIONING CONTRACTORS NATIONAL ASSOCIATION (SMACNA) DESIGN STANDARDS AND RECOMMENDATIONS.

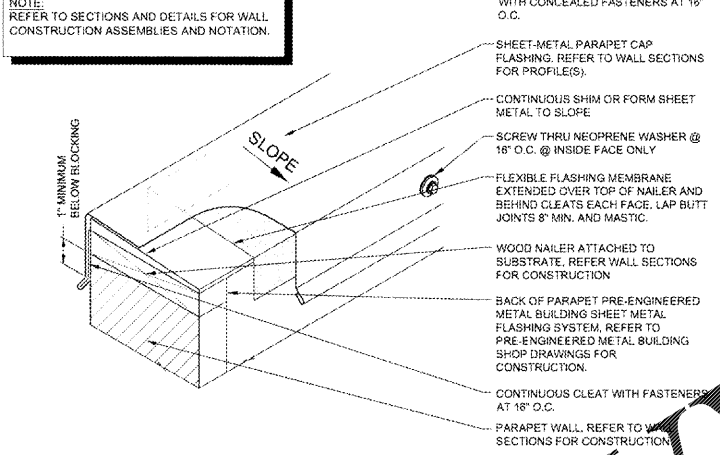
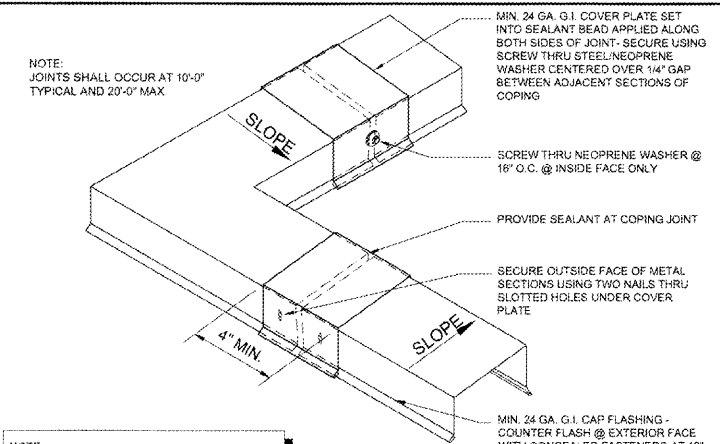


CRAIG A. SCHNEIDER, AIA
ARCHITECT
 1736 EAST SUEBING, SUITE 417
 SPRINGFIELD, MISSOURI 65804
 417.862.8534
 FAX: 417.862.3266
 e-mail: architect@estefschneider.com

PROJECT:
 NEW O'REILLY AUTO PARTS STORE
 NC STATE HWY 211
 SEVEN LAKES, NC
EXTERIOR DETAILS

O'Reilly AUTO PARTS
 CORPORATE OFFICES
 233 SOUTH PATTERSON
 SPRINGFIELD, MISSOURI 65802
 (417) 862-2674 TELEPHONE

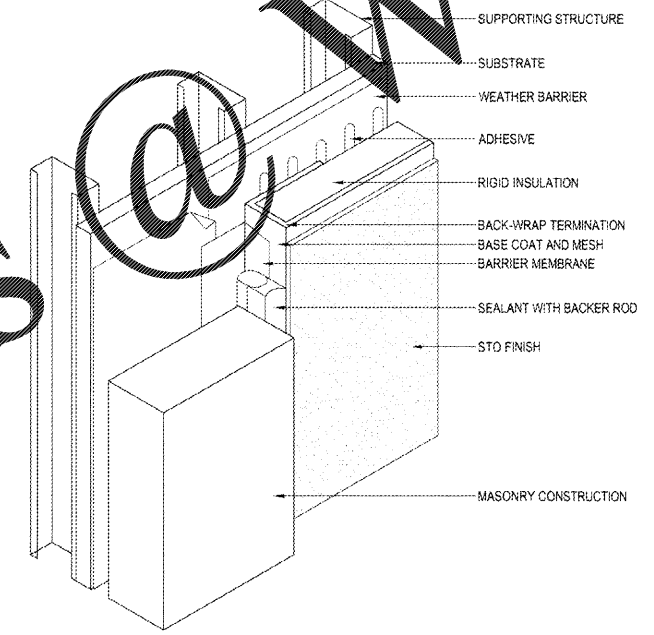
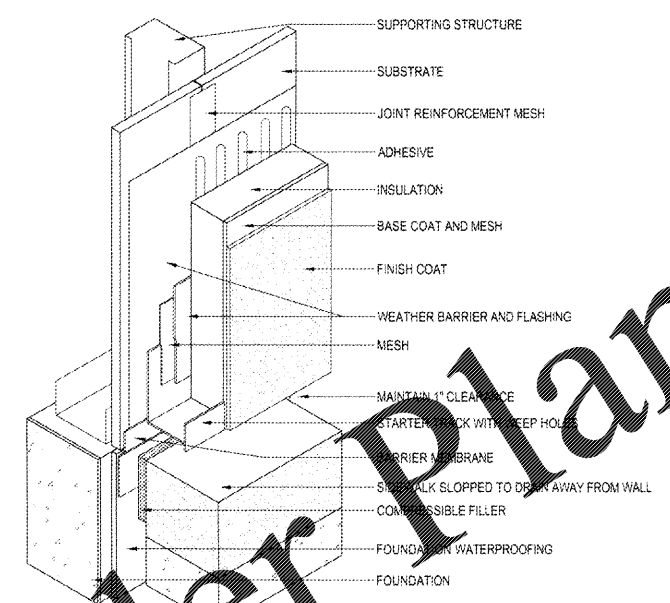
COMM #	4155
DATE	3-23-18
REVISION	
DATE	



1 (NOT USED)
 A6.1 SCALE: N.T.S.

2 TYPICAL COPING FLASHING DETAIL
 A6.1 SCALE: N.T.S.

3 EIFS DECORATIVE JOINT DETAIL
 A6.1 SCALE: N.T.S.



4 EIFS TERMINATION DETAIL
 A6.1 SCALE: N.T.S.

5 EIFS TERMINATION DETAIL
 A6.1 SCALE: N.T.S.

Order Plans @ WWW.WLDLINE.COM

NOTES:
 1. INSTALLATION TO BE COMPLETED IN ACCORDANCE WITH MANUFACTURER'S SPECIFICATIONS.

NOTES:
 1. INSTALLATION TO BE COMPLETED IN ACCORDANCE WITH MANUFACTURER'S SPECIFICATIONS.