

WINDOW TYPES

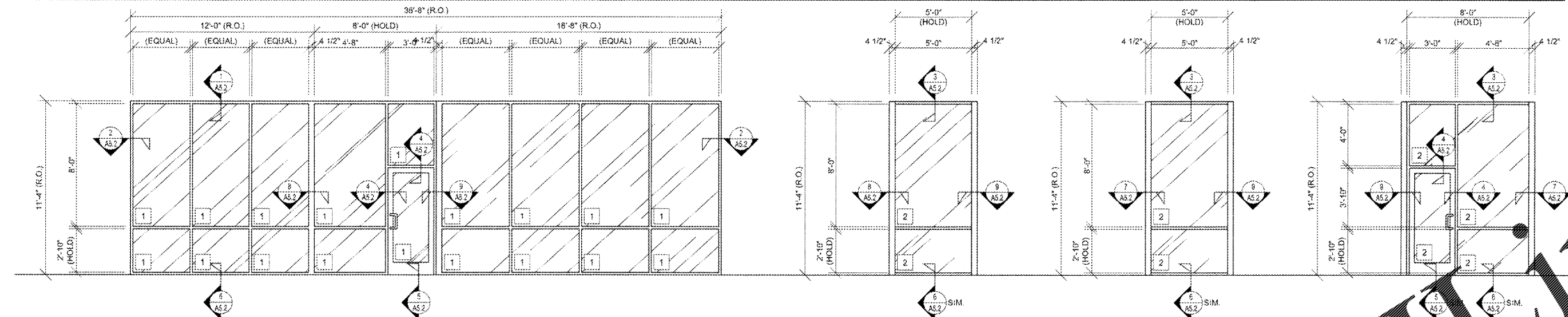
GENERAL NOTES

- (A) REFER TO PROJECT MANUAL FOR ADDITIONAL REQUIREMENTS.
- (B) REFER TO BUILDING CODE SUMMARY FOR PROJECT STRUCTURAL DESIGN CRITERIA. WINDOW FRAMING AND ANCHORING SYSTEMS SHALL BE DESIGNED BY MANUFACTURER TO CONFORM TO PERFORMANCE AND TESTING REQUIREMENTS SPECIFIED.
- (C) REFER TO FLOOR PLAN, ELEVATIONS, AND SECTION FOR ADDITIONAL REQUIREMENTS.
- (D) WINDOW TYPE ELEVATIONS SHOWN VIEWED FROM EXTERIOR UNLESS OTHERWISE NOTED.
- (E) REFER TO EXTERIOR FINISH SCHEDULE FOR ALUMINUM WINDOW FRAMING COLORS. PERIMETER SEALANT COLOR SHALL MATCH WINDOW FRAMING COLOR UNLESS OTHERWISE INDICATED.
- (F) ALL DIMENSIONS TO ROUGH FACE OF FRAMING UNLESS OTHERWISE NOTED. FIELD VERTICALLY THROUGH OPENINGS PRIOR TO FABRICATION.
- (G) REFER TO DOOR AND HARDWARE SCHEDULES FOR ADDITIONAL REQUIREMENTS.
- (H) SECURITY SYSTEMS MAY BE REQUIRED. CONTACT PROJECT ADMINISTRATOR FOR VERIFICATION. REFER TO SCOPE OF WORK SCHEDULE. PROVIDE ADDITIONAL SUPPORT FRAMING SYSTEM AS REQUIRED.
- (I) WHEN WIND SPEED IS EQUAL TO OR GREATER THAN 120 MPH, A STORM PANEL SYSTEM SHALL BE OWNER FURNISHED AND INSTALLED. CONTACT PROJECT ADMINISTRATOR TO VERIFY AND COORDINATE WITH SYSTEM PROVIDED BY OTHERS (REFER TO SCOPE OF WORK SCHEDULE). PROVIDE ADDITIONAL SUPPORT FRAMING SYSTEM AS REQUIRED.
- (J) CONTRACTOR'S OPTION TO DIRECT ORDER AND PURCHASE WINDOW FRAMING SYSTEM AND GLAZING FROM THE FOLLOWING SUPPLIER (REFER TO SCOPE OF WORK SCHEDULE).

COLTLER & COMPANY
 13711 E. 68TH ST. N.
 OWASSO, OK 74055
 PHONE: (918) 272-4494
 FAX: (918) 272-7908
 EMAIL: carl@coltlerglass.com
 CONTACT: Carl Yorman

GLAZING SCHEDULE

- 1 1" INSULATED SAFETY GLAZING (1/4" VITRO "SOLAR-COOL," (2) AZURIA" EXTERIOR PANE / 1/4" CLEAR INTERIOR PANE) SHADING COEFFICIENT 0.29
- 2 1" INSULATED SAFETY GLAZING (1/4" CLEAR EXTERIOR PANE / 1/4" CLEAR INTERIOR PANE) SHADING COEFFICIENT 0.81

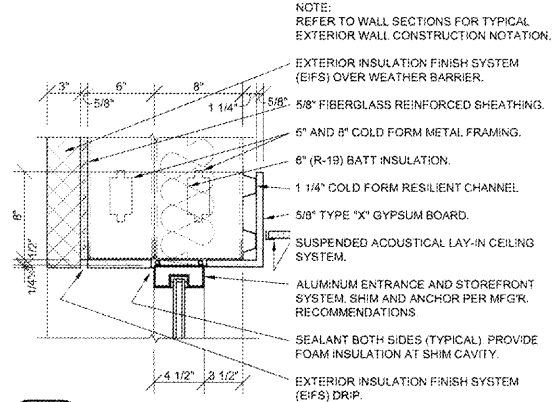


A ALUMINUM STOREFRONT FRAMING (2" X 4 1/2") SYSTEM, THERMALLY BROKEN, FIXED UNIT.

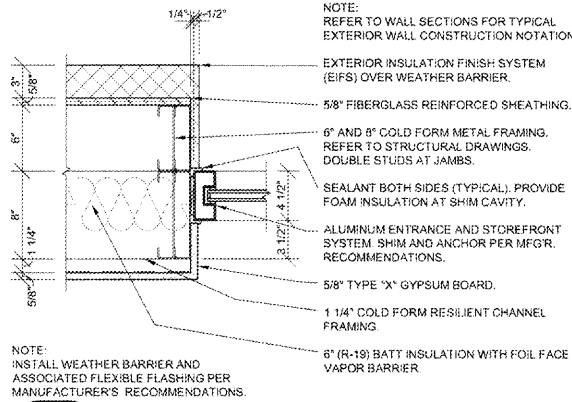
B1 ALUMINUM STOREFRONT FRAMING (2" X 4 1/2") SYSTEM, THERMALLY BROKEN, FIXED UNIT.

B2 ALUMINUM STOREFRONT FRAMING (2" X 4 1/2") SYSTEM, THERMALLY BROKEN, FIXED UNIT.

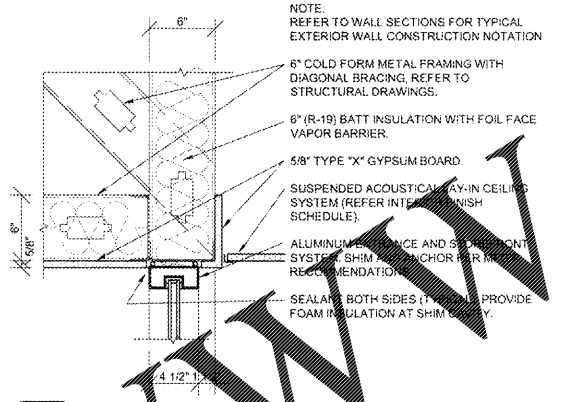
C ALUMINUM STOREFRONT FRAMING (2" X 4 1/2") SYSTEM, THERMALLY BROKEN, FIXED UNIT.



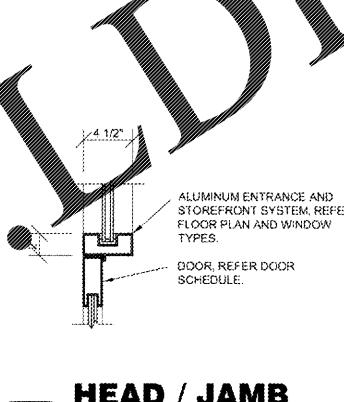
1 HEAD DETAIL
 A5.2 SCALE: 1 1/2" = 1'-0"



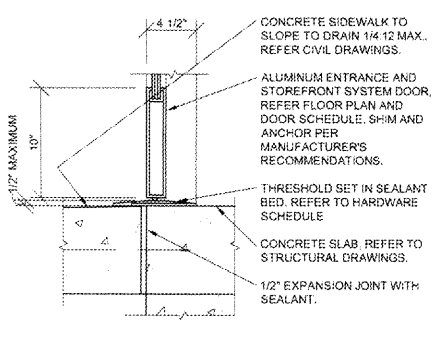
2 JAMB DETAIL
 A5.2 SCALE: 1 1/2" = 1'-0"



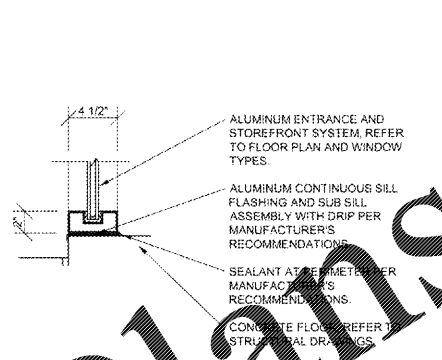
3 HEAD DETAIL
 A5.2 SCALE: 1 1/2" = 1'-0"



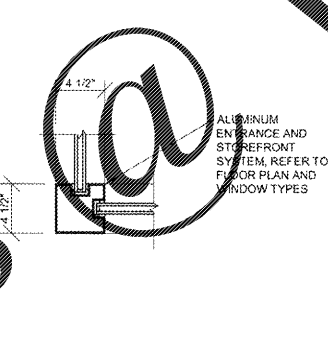
4 HEAD / JAMB DETAIL
 A5.2 SCALE: 1 1/2" = 1'-0"



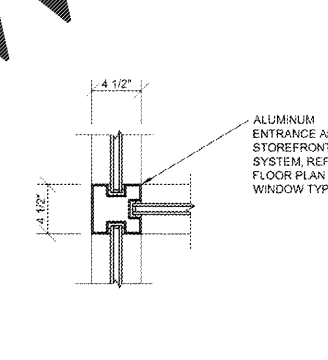
5 SILL DETAIL
 A5.2 SCALE: 1 1/2" = 1'-0"



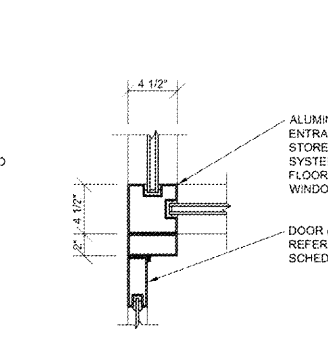
6 SILL DETAIL
 A5.2 SCALE: 1 1/2" = 1'-0"



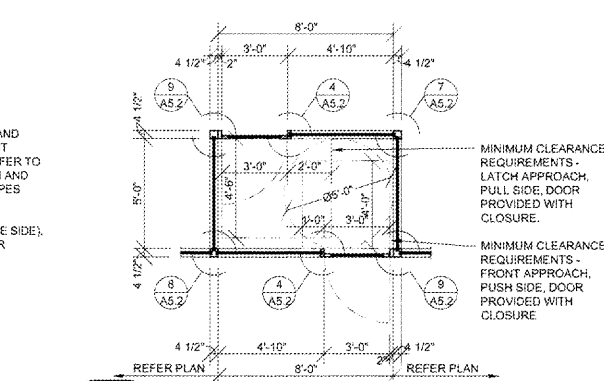
7 JAMB DETAIL
 A5.2 SCALE: 1 1/2" = 1'-0"



8 JAMB DETAIL
 A5.2 SCALE: 1 1/2" = 1'-0"



9 JAMB DETAIL
 A5.2 SCALE: 1 1/2" = 1'-0"



10 VESTIBULE ENLARGE PLAN
 A5.2 SCALE: 1/4" = 1'-0"

Order Plans

CRAIG A. SCHNEIDER, AIA
 ARCHITECT
 1736 East Sunrise, Suite 417
 Springfield, Missouri 65804
 P: 417.862.8533
 F: 417.862.3266
 E: architect@estrefschneider.com

PROJECT:
NEW O'REILLY AUTO PARTS STORE
NC STATE HWY 211
SEVEN LAKES, NC
WINDOW SCHEDULE

O'Reilly AUTO PARTS
 CORPORATE OFFICES
 233 SOUTH PATTERSON
 SPRINGFIELD, MISSOURI 65802
 (417) 862-2674 TELEPHONE

COMM #	4155
DATE	3-23-18
REVISION	
DATE	