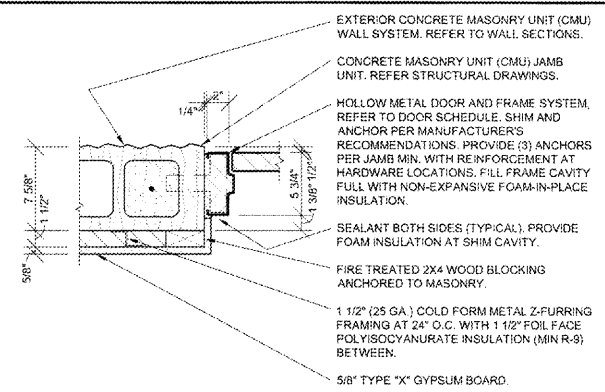
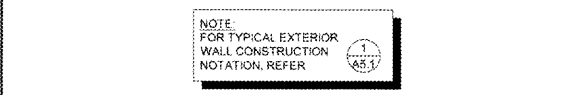


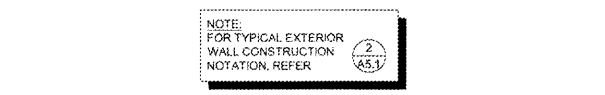
1 HEAD DETAIL
A5.1 SCALE: 1 1/2" = 1'-0"



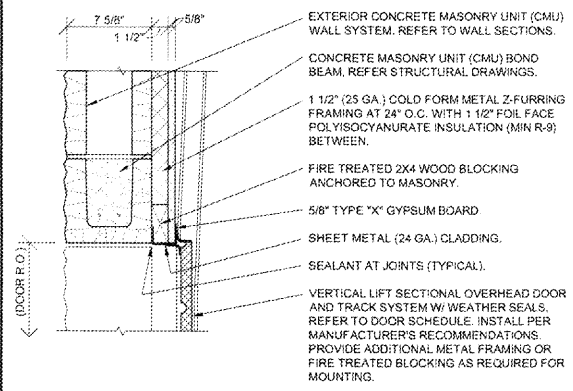
2 JAMB DETAIL
A5.1 SCALE: 1 1/2" = 1'-0"



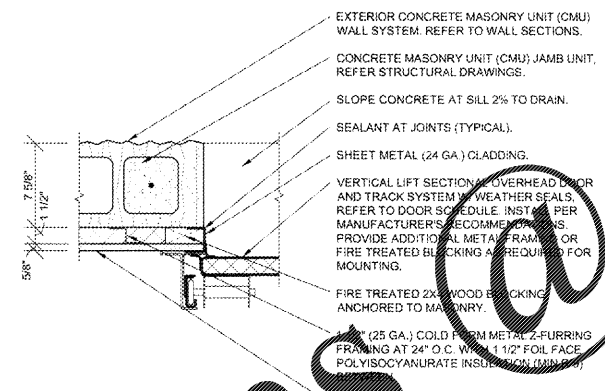
3 HEAD DETAIL
A5.1 SCALE: 1 1/2" = 1'-0"



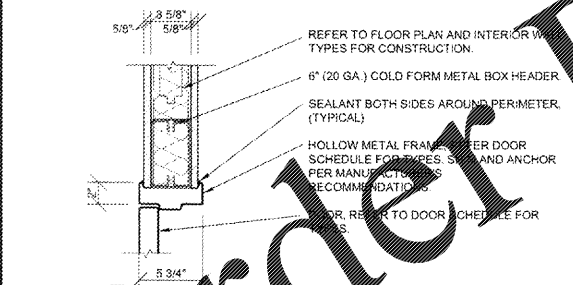
4 JAMB DETAIL
A5.1 SCALE: 1 1/2" = 1'-0"



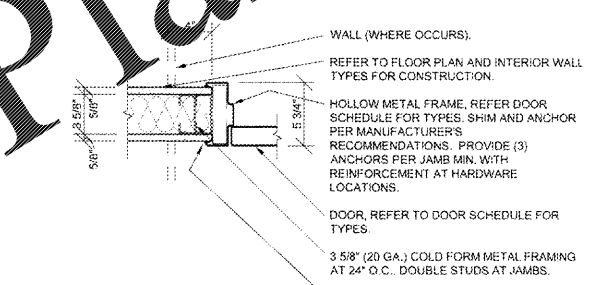
5 HEAD DETAIL
A5.1 SCALE: 1 1/2" = 1'-0"



6 JAMB DETAIL
A5.1 SCALE: 1 1/2" = 1'-0"



7 HEAD DETAIL
A5.1 SCALE: 1 1/2" = 1'-0"



8 JAMB DETAIL
A5.1 SCALE: 1 1/2" = 1'-0"

DOOR SCHEDULE

NO.	DOOR				DOOR HARDWARE		FRAME			DETAILS			FIRE RATING	REMARKS (REFER NOTES)
	SIZE (W x H x D)	TYPE	SWING	MATERIAL	SET #	KEYED	TYPE	MATERIAL	HEAD WIDTH	HEAD	JAMB	SILL		
1	3'-0" X 7'-0" X 1-3/4"	A	REFER TO FLOOR PLAN	ALUMINUM	1	A	1	ALUMINUM	4/A5.2	4/A5.2	5/A5.2		1, 2	
2	3'-0" X 7'-0" X 1-3/4"	B	REFER TO FLOOR PLAN	INSULATED METAL	2	A	2	INSULATED METAL	1/A5.1	2/A5.1	5/A5.2 SIM.		1, 2, 3	
3	6'-0" X 8'-0"	D	SECTIONAL OVERHEAD	INSULATED METAL	3			MANUFACTURER'S STANDARDS	5/A5.1	6/A5.1			1	
4	3'-0" X 7'-0" X 1-3/4"	C	REFER TO FLOOR PLAN	SOLID WOOD	4		2	HOLLOW METAL	7/A5.1	8/A5.1			1, 4	
5	3'-0" X 7'-0" X 1-3/4"	C	REFER TO FLOOR PLAN	SOLID WOOD	5		2	HOLLOW METAL	7/A5.1	8/A5.1			1, 4	
6	3'-0" X 7'-0" X 1-3/4"	C	REFER TO FLOOR PLAN	SOLID WOOD	5		2	HOLLOW METAL	7/A5.1	8/A5.1			1, 4	
7	3'-0" X 7'-0" X 1-3/4"	B	REFER TO FLOOR PLAN	INSULATED METAL	6		2	INSULATED METAL	3/A5.1	4/A5.1	5/A5.2 SIM.		1, 3	
8	3'-0" X 7'-0" X 1-3/4"	A	REFER TO FLOOR PLAN	ALUMINUM	2	7	1	ALUMINUM	4/A5.2	4/A5.2	5/A5.2 SIM.		1, 3	

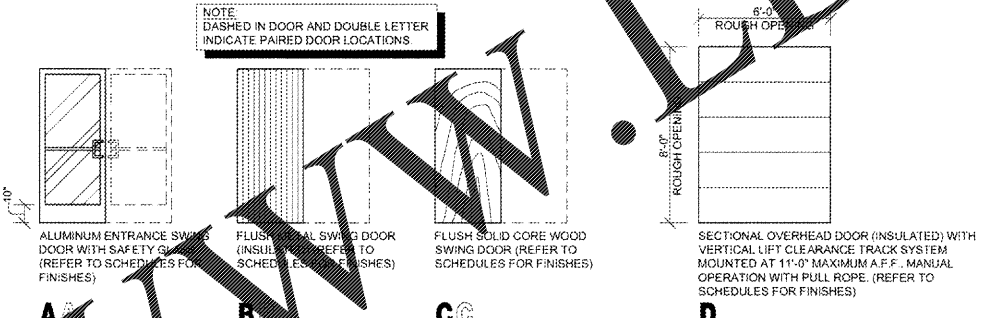
NOTES:
 1. ALL DOORS SHALL BE SHOP PREPARED FOR HARDWARE.
 2. ALL EXTERIOR DOORS TO BE KEYPED ALIKE. CONTRACTOR TO FIELD VERIFY AND MATCH CORE OF DOOR MARKED 'Z'.
 3. EXTERIOR DOOR, FRAME AND HARDWARE OWNER FURNISHED AND CONTRACTOR INSTALLED. REFER TO SCOPE OF WORK SCHEDULE.
 4. CONTRACTOR'S OPTION TO PURCHASE INTERIOR DOORS, FRAMES, AND HARDWARE THROUGH PREFERRED VENDOR. REFER TO SCOPE OF WORK SCHEDULE.

LOCKNET
 130 COURCHELLE DRIVE
 NICHOLASVILLE, KY 40398
 CONTACT: PAM PEEL
 PHONE: 800-887-4307 EXT 133
 FAX: 859-881-5489
 EMAIL: construction@locknet.com

SPECIAL NOTE:
 UNLESS OTHERWISE INDICATED, KNOCK DOWN (KD) TYPE DOOR FRAMES ARE NOT PERMITTED.

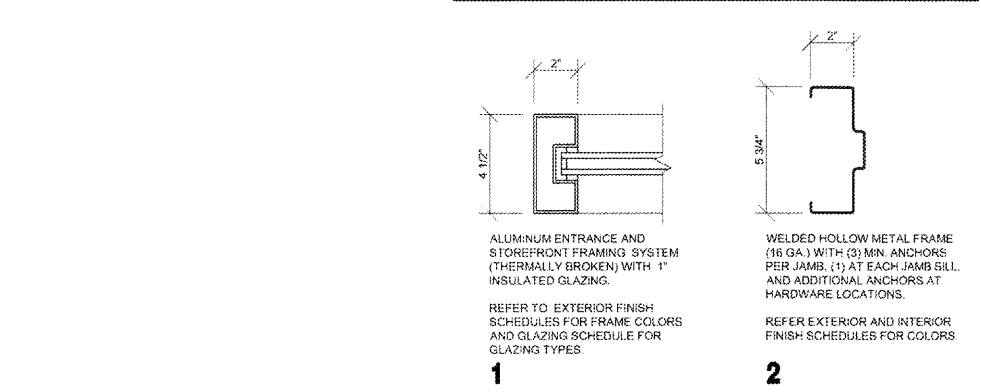
DOOR TYPES

(SCALE 1/4" = 1'-0")



FRAME TYPES

(SCALE 3" = 1'-0")



DOOR HARDWARE SCHEDULE

HARDWARE NOTES:
 1. ALL HARDWARE TO BE ADA AND ANSI COMPLIANT.
 2. VERIFY COMPATIBILITY OF HARDWARE SPECIFIED. NOTIFY ARCHITECT OF INCOMPATIBILITY ISSUES PRIOR TO ORDERING AND INSTALLATION.

SET NO. 1 (DR. 1)
 1 CYLINDER 20-082 X US28D - "E" KEYWAY (REMOVABLE CORE) SCHLAGE
 1 PAIR OFFSET PIVOTS, 195/188 X US28D RIXON
 1 DEADLOCK LEVER, 4650 X US28 RIXON
 1 STRIKE, M54002 X US28 RIXON
 1 SET PUSH/PULLS: R6-151 ULTRALINE W/ OFFSET PULL X US28D EFCC
 1 CLOSER: 4041-3077-187J-TB X AL (ADJ. TO 8.5 LBS.) LCN
 1 SET PERIMETER GASKETS, POLYMERIC BULB X LENGTH REQUIRED PEMKO
 1 SWEEP: 345AP X LENGTH REQUIRED PEMKO
 1 THRESHOLD: 27DA X LENGTH REQUIRED (SET PIVOT COMPLY WITH ADA COMPLIANT) PEMKO

SET NO. 2 (DR. 2)
 1 CONTINUOUS HINGE 20-057 X US28D (REMOVABLE CORE) HAGER
 1 CYLINDER 20-057 X US28D (REMOVABLE CORE) HAGER
 1 PRYBAR (2) SET 20-057 X US28D (REMOVABLE CORE) SCHLAGE
 1 EXIT PANIC LOCK, 530MILT X ALM (ADJ. TO 8.5 LBS.) DORMA
 1 (THROUGH-SEX BOLT MOUNTING) HAGER
 1 CLOSER: 4041-3077-187J-TB X AL (ADJ. TO 8.5 LBS.) LCN
 1 (THROUGH-SEX BOLT MOUNTING) DORMA
 1 SET PERIMETER GASKETS, JAMBS - KERFED QEBD-800, HEADER - ADHESIVE QDS1-676 SCHLEGEL
 1 LATCH GUARD: LG180ZSF X US28D (STRAIGHT W/PIN W/ SEX BOLTS) LATCHGUARD
 1 DOOR BUMPER: 409 X US28D ROCKWOOD
 1 KICK PLATE, 1616 X 8" X 3/4" X US32D HAGER
 1 SWEEP: 345AP X LENGTH REQUIRED PEMKO
 1 THRESHOLD: 271A X LENGTH REQUIRED PEMKO

SET NO. 3 (DR. 3)
 REQUIRED HARDWARE FURNISHED WITH OVERHEAD DOOR SYSTEM (LOCKING FROM INSIDE ONLY)
 1 HINGE: BB1279 X 4 1/2" X 4 1/2" X US28D HAGER
 1 OFFICE LOCK: AU5302LN X US28D YALE
 1 WALL BUMPER: 409 X US28D ROCKWOOD

SET NO. 4 (DR. 4)
 3 HINGES: BB1279 X 4 1/2" X 4 1/2" X US28D HAGER
 1 PRIVACY LOCK: AU5302LN X US28D YALE
 1 WALL BUMPER: 409 X US28D ROCKWOOD

SET NO. 5 (DR. 5, 6)
 3 HINGES: BB1279 X 4 1/2" X 4 1/2" X US32D X NRP HAGER
 1 PRIVACY LOCK: AU5302LN X US28D YALE
 1 WALL BUMPER: 409 X US28D ROCKWOOD

SET NO. 6 (DR. 7)
 3 HINGES: ECBB1109 X 4 1/2" X 4 1/2" X US32D X NRP HAGER
 1 EXIT ONLY PANIC LOCK: 8300B X 486 X 888 RIXON
 1 CLOSER: 530MILT X ALM (ADJ. TO 8.5 LBS.) DORMA
 1 (THROUGH-SEX BOLT MOUNTING) HAGER
 1 SET PERIMETER GASKETS, JAMBS - KERFED QEBD-800, HEADER - ADHESIVE QDS1-676 SCHLEGEL
 1 LATCH GUARD: LG180ZSF X US28D (STRAIGHT W/PIN W/ SEX BOLTS) LATCHGUARD
 1 SWEEP: 345AP X LENGTH REQUIRED PEMKO
 1 THRESHOLD: 271A X LENGTH REQUIRED PEMKO

SET NO. 7 (DR. 8)
 (FOLLOWING REQUIRED HARDWARE FURNISHED WITH WINDOW FRAMING DOOR SYSTEM)
 1 PAIR OFFSET PIVOTS, 195/188 X US28D RIXON
 1 SET PUSH/PULLS: R6-151 ULTRALINE W/ OFFSET PULL X US28D EFCC
 1 CLOSER: 4041-3077-187J-TB X AL (ADJ. TO 5 LBS.) LCN
 1 SET PERIMETER GASKETS, POLYMERIC BULB X LENGTH REQUIRED PEMKO

GENERAL NOTES

- (A) REFER TO PROJECT MANUAL FOR ADDITIONAL REQUIREMENTS.
- (B) REFER TO BUILDING CODE SUMMARY FOR PROJECT STRUCTURAL DESIGN CRITERIA. DOOR FRAMING AND ANCHORING SYSTEMS SHALL BE DESIGNED BY MANUFACTURER TO CONFORM TO PERFORMANCE AND TESTING REQUIREMENTS SPECIFIED.
- (C) REFER TO FLOOR PLAN, ELEVATIONS, AND SECTIONS FOR ADDITIONAL REQUIREMENTS.
- (D) REFER TO EXTERIOR AND INTERIOR FINISH SCHEDULES FOR COLORS. PERIMETER SEALANT COLOR TO MATCH FRAME COLOR UNLESS OTHERWISE INDICATED.

CRAIG A. SCHNEIDER, AIA
ARCHITECT

1776 EAST BRIDGECRESCENT, SUITE 417
SPRINGFIELD, MISSOURI 65804
PHONE: 417.862.8266
FAX: 417.862.3266
EMAIL: architect@esterlyschneider.com

PROJECT:
NEW O'REILLY AUTO PARTS STORE
 NC STATE HWY 211
 SEVEN LAKES, NC

O'Reilly AUTO PARTS
 CORPORATE OFFICES
 233 SOUTH PATTERSON
 SPRINGFIELD, MISSOURI 65802
 (417) 862-2674 TELEPHONE

CONM # 4155
 DATE: 3-23-18
 REVISION
 DATE:

A5.1