



CRAIG A. SCHNEIDER, AIA
ARCHITECT

1736 East Sunshine, Suite 417
Springfield, Missouri 65804

PROJECT:
NEW O'REILLY AUTO PARTS STORE
NC STATE HWY 211
SEVEN LAKES, NC

O'Reilly AUTO PARTS
CORPORATE OFFICES
233 SOUTH PATTERSON
SPRINGFIELD, MISSOURI 65802
(417) 862-2674 TELEPHONE

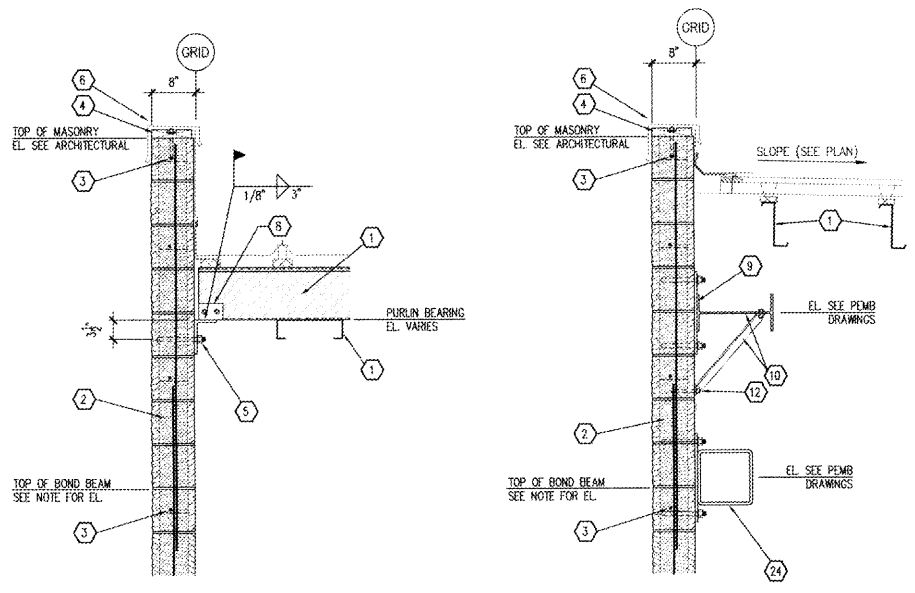
COMM # 4155
DATE: 3-23-18
REVISION
DATE:

KEYNOTES

- PRE-ENGINEERED METAL BUILDING STRUCTURAL SYSTEM. SEE P.E.M.B. SHOP DRAWINGS FOR ADDITIONAL INFORMATION.
- 8" (NOM) SPLIT FACE OR SMOOTH FACE CMU. REFER TO STRUCTURAL NOTES ON SHEET S1 FOR WALL VERTICAL AND HORIZONTAL REINFORCEMENT
- CONTINUOUS 8" (NOM) SPLIT FACE OR SMOOTH FACE UNITE BLOCK OR BOND BEAM W/ (1) #5 CONT.
- CONTINUOUS FIRE TREATED 2x NAILER WITH 3/8" GALVANIZED ANCHOR BOLTS @ 32" O.C.
- CONTINUOUS L 6"x4"x1/2" LEDGER ANGLE FURNISHED BY THE PRE-ENGINEERED METAL BUILDING SUPPLIER. ANCHOR TO WALL BY DRILLING 3/8"x10"-6 1/2" DEEP HOLES INTO MASONRY FOR 3/8"x10"-6 1/2" A36 ALL-THREAD ROD EACH SIDE OF PURLIN IN FULLY GROUTED CELLS. SEE SECTIONS 5/SS.2 & 6/SS.2 FOR ANCHOR SPACING. 8/SS.2 FOR SPECIAL ANCHORAGE OF PURLINS SUPPORTING TRUSS. ANCHOR TO ALSO BE LOCATED WITHIN 6" OF ANGLE ENDS. APPLY ADHESIVE AND INSTALL ANCHOR IN ACCORDANCE WITH ADHESIVE ANCHOR INSTALLATION NOTES, SHEET S1
- REFER TO ARCHITECTURAL FOR ALL ROOF FLASHING REQUIREMENTS
- AT ROOF PURLINS SUPPORTING UNIT LOADS PER 10"x10"-8"x8" A36 ALL-THREAD ROD ANCHORS IN FULLY GROUTED CELLS SPACED AS SHOWN. APPLY ADHESIVE AND INSTALL ANCHOR. REFER TO ADHESIVE ANCHOR INSTALLATION NOTES. ANCHOR ALSO TO BE LOCATED WITHIN 6" OF ANGLE ENDS.
- CONNECTION AND DETAIL BY PRE-ENGINEERED METAL BUILDING SUPPLIER TO DETAIL 7/SS.2 CONNECTION OF WIND BEAM TO MASONRY. SEE PEMB DRAWINGS FOR WIND BEAM INFORMATION.
- PRE-ENGINEERED METAL BUILDING WIND BEAM AND BRACING. SEE P.E.M.B. SHOP DRAWINGS FOR FIELD DRILL HOLES IN WIND BEAM TO MATCH CLIP LOCATIONS.
- ANCHOR WIND BEAM TO WALL BY DRILLING 3/8"x10"-6 1/2" DEEP HOLES INTO MASONRY FOR (2) 3/8"x10"-6 1/2" A36 ALL-THREAD RODS IN FULLY GROUTED CELLS. APPLY ADHESIVE AND INSTALL ANCHORS PER ADHESIVE ANCHOR INSTALLATION NOTES.
- DRILL 3/8"x10"-4 1/2" DEEP HOLES INTO MASONRY FOR (1) 3/8"x10"-5 1/2" A36 ALL-THREAD ROD IN FULLY GROUTED CELLS. APPLY ADHESIVE AND INSTALL ANCHORS. REFER TO ADHESIVE ANCHOR INSTALLATION NOTES.
- BOLTS BY PRE-ENGINEERED METAL BUILDING SUPPLIER
- L 6"x4"x1/2" LEDGER ANGLE. ANCHOR TO WALL BY DRILLING 3/8"x10"-6 1/2" DEEP HOLES INTO MASONRY FOR (4) 3/8"x10"-6 1/2" A36 ALL-THREAD RODS (AS SHOWN IN DETAIL 6/SS.2) IN FULLY GROUTED CELLS. APPLY ADHESIVE AND INSTALL ANCHORS. REFER TO ADHESIVE ANCHOR INSTALLATION NOTES. NOTE: CONTROL JOINTS MUST NOT BE LOCATED WITHIN 4" OF STRUT ANGLE ANCHORS.
- REFER TO ARCHITECTURAL DRAWINGS FOR EXTERIOR WALL SHEATHING. WALL SHEATHING SHALL BE ATTACHED TO EACH STUD AS PER SHEATHING MANUFACTURER'S REQUIREMENTS FOR WIND PRESSURES INDICATED ON SHEET S1. MINIMUM ATTACHMENT REQUIREMENT TO BE #8 CORROSION-RESISTANT (1" LONG) SCREWS @ 8" O.C. AT PERIMETER OF SHEETS AND AT 8" O.C. IN THE INTERIOR FIELD.
- 16 ga SIMPSON F08435 CONNECTOR W/ (4) #12-14 SCREWS TO STUDS AND (2) #12-24 TO MIN. 3/16" THICK STEEL
- 6"x16 ga. METAL STUDS (800S162-54) @ 24" O.C.
- 8"x16 ga. METAL STUDS (800S162-54) @ 24" O.C.
- PRE-ENGINEERED METAL BUILDING BRACING. SEE P.E.M.B. SHOP DRAWINGS. FIELD DRILL HOLES IN STUDS FOR 3/8" BOLTED CONNECTIONS
- CONNECT STUDS TOGETHER WITH #12 SCREWS @ 24" O.C.
- EXTERIOR INSULATION FINISH SYSTEM. REFER TO ARCHITECTURAL
- L 6"x4"x1/2" LEDGER ANGLE. ANCHOR TO WALL BY DRILLING 3/8"x10"-6 1/2" DEEP HOLES INTO MASONRY FOR (4) 3/8"x10"-6 1/2" A36 ALL-THREAD RODS (AS SHOWN IN DETAIL 5/SS.2) IN FULLY GROUTED CELLS. ANCHORS SHALL NOT BE LOCATED WITHIN 1/2" OF ANY MASONRY HEAD JOINTS. ANCHOR SPACING MAY BE ADJUSTED 2" TO AVOID HEAD JOINTS. APPLY ADHESIVE AND INSTALL ANCHORS. REFER TO ADHESIVE ANCHOR INSTALLATION NOTES. NOTE: CONTROL JOINTS MUST NOT BE LOCATED WITHIN 4" OF STRUT ANGLE ANCHORS.
- CONNECTION PLATE BY PEMB. FIELD WELD METAL SHIMS TO WIND BEAM AS SHOWN. SHIMS TO BE PROVIDED BY CONTRACTOR.
- PRE-ENGINEERED METAL BUILDING WIND BEAM. SEE P.E.M.B. SHOP DRAWINGS FOR LOCATION OF WIND BEAM. SEE DETAIL 7/SS.2 SIMILAR FOR WALL CONNECTIONS
- 8" (CENTERED UPON PURLIN) ANCHORS SHALL NOT BE LOCATED WITHIN 1/2" OF ANY MASONRY HEAD JOINTS. ANCHOR SPACING MAY BE ADJUSTED 2" TO AVOID HEAD JOINTS
- NO ANCHOR SHALL BE LOCATED WITHIN 1/2" OF ANY MASONRY HEAD JOINTS. (TYPICAL ALL ANCHOR LOCATIONS)
- 8" (TYPICAL) ANCHORS SHALL NOT BE LOCATED WITHIN 1/2" OF ANY MASONRY HEAD JOINTS. ANCHOR SPACING MAY BE ADJUSTED TO 2" TO AVOID HEAD JOINTS

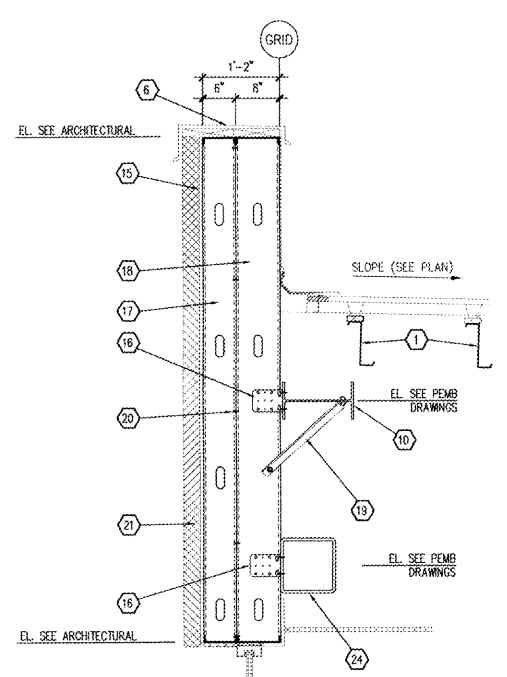
MASONRY NOTES

- IN ALL CASES, THREADED ROD ANCHORS ARE TO BE INSTALLED IN GROUTED CELLS.
- SOLIDLY GROUT ALL CELLS & COURSES FROM BOND BEAM AT ELEVATION 112'-0" TO TOP OF WALL.
- FILL ALL CELLS FULL HEIGHT FROM SLAB TO PARAPET 4'-8" EACH DIRECTION FROM CORNER TO ALLOW FOR METAL BUILDING CONNECTIONS. SEE FRAMING PLAN SHEET S4 FOR MORE INFORMATION.
- ANCHORS SHALL NOT BE LOCATED WITHIN 1/2" OF ANY MASONRY HEAD JOINTS. ANCHOR SPACING MAY BE ADJUSTED 2" TO AVOID HEAD JOINTS.

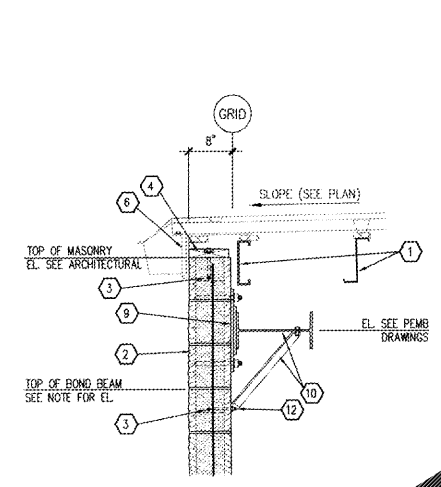


1 SECTION
55.2 SCALE: 3/4" = 1'-0"

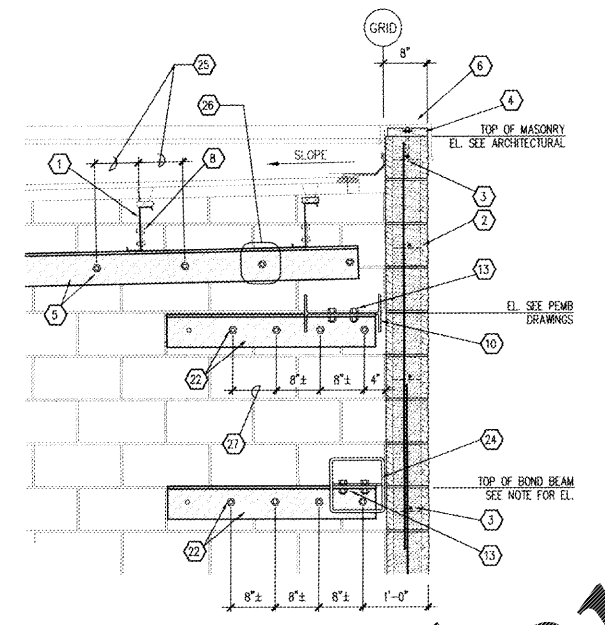
2 SECTION
55.2 SCALE: 3/4" = 1'-0"



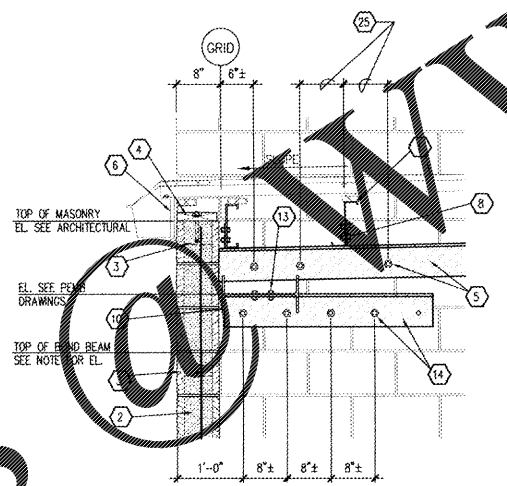
3 SECTION
55.2 SCALE: 3/4" = 1'-0"



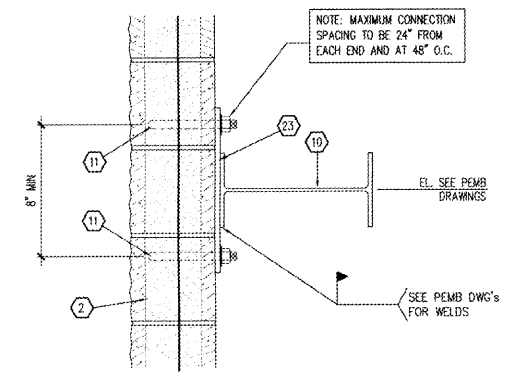
4 SECTION
55.2 SCALE: 3/4" = 1'-0"



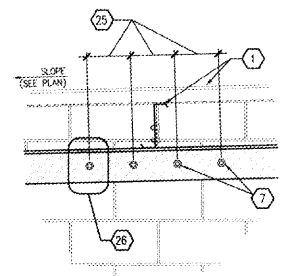
5 SECTION
55.2 SCALE: 3/4" = 1'-0"



6 SECTION
55.2 SCALE: 3/4" = 1'-0"



7 DETAIL
55.2 SCALE: 1 1/2" = 1'-0"



8 DETAIL AT RTU'S
55.2 SCALE: 1 1/2" = 1'-0"

Order Plans



Jeffrey S. Smith, P.E.
Jeffrey S. Smith P.E. 12612
P.O. Box 8102 * JOPLIN, MISSOURI 64802
PHONE: 417-624-0444 * FAX: 417-624-0430