

12/11/18
12/11/18

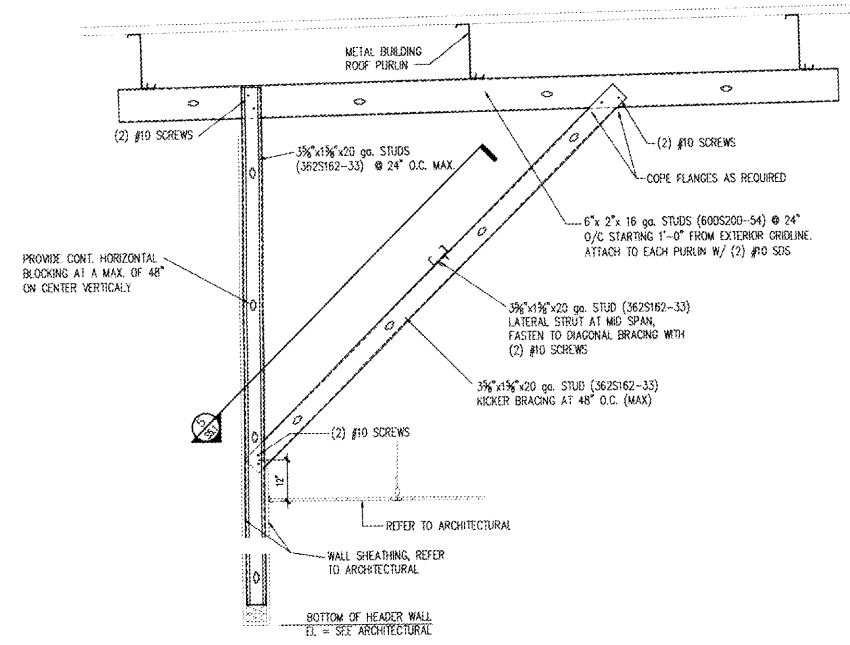


CRAIG A. SCHNEIDER, AIA
ARCHITECT
1736 East Hanbridge, Suite 417
Springfield, Missouri 65804
417.862.0558
417.862.3265
e-mail: architect@estefyschneider.com

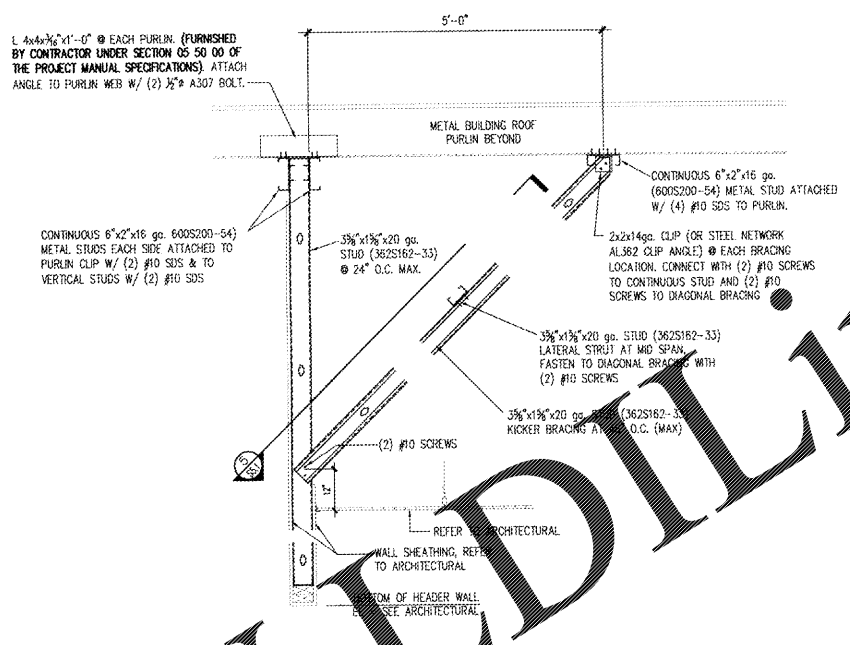
PROJECT:
NEW O'REILLY AUTO PARTS STORE
NC STATE HWY 211
SEVEN LAKES, NC

O'Reilly AUTO PARTS
CORPORATE OFFICES
233 SOUTH PATTERSON
SPRINGFIELD, MISSOURI 65802
(417) 862-2674 TELEPHONE

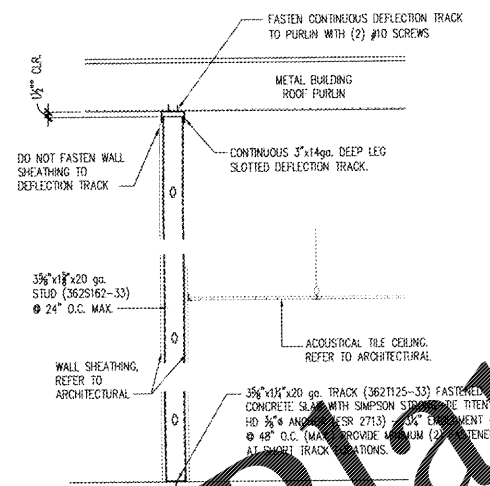
COMM #	4155
DATE	3.23.18
REVISION	
DATE	



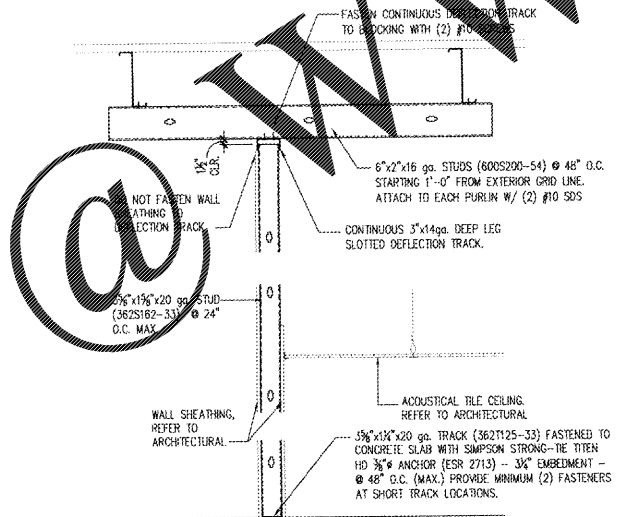
1 SECTION
S5.1 SCALE: 3/4" = 1'-0"



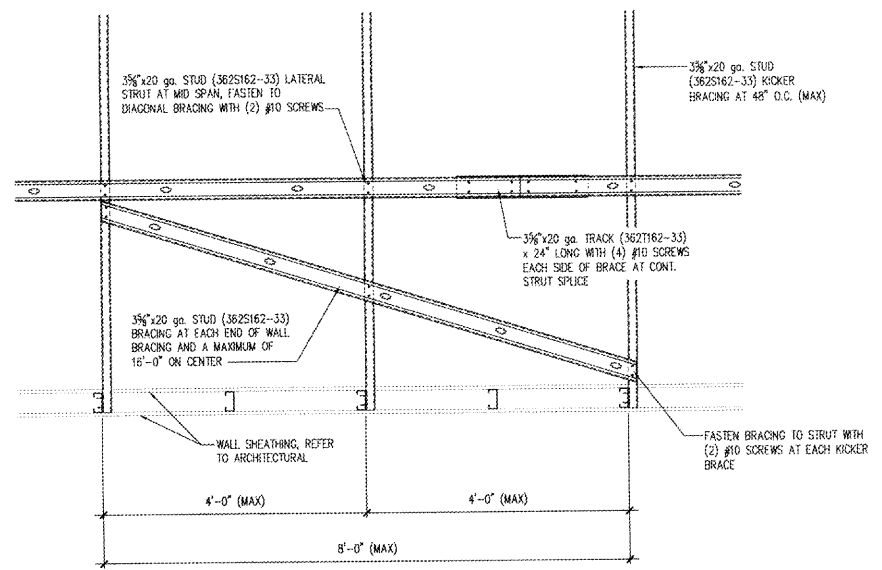
2 SECTION
S5.1 SCALE: 3/4" = 1'-0"



3 SECTION
S5.1 SCALE: 3/4" = 1'-0"



4 SECTION
S5.1 SCALE: 3/4" = 1'-0"



5 SECTION
S5.1 SCALE: 3/4" = 1'-0"

Order Plans

 **Jeffrey S. Smith, P.E.**
Jeffrey S. Smith P.E. 12612
P.O. Box 8102 • JOPLIN, MISSOURI 64802
PHONE: 417-624-0444 • FAX: 417-624-0430