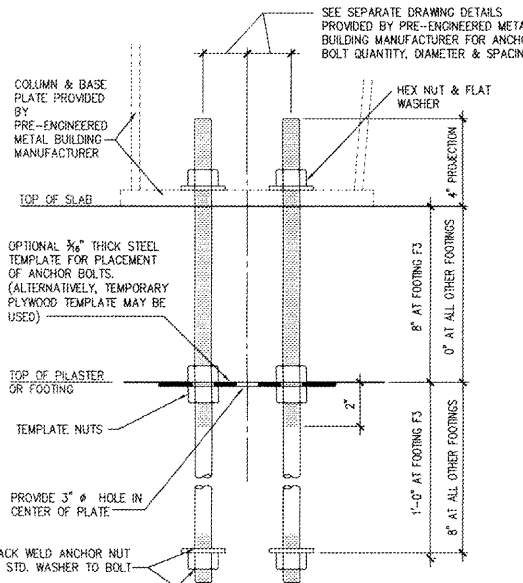


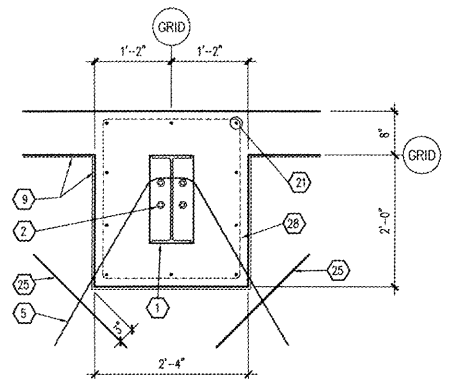
KEYNOTES

- 1 PRE-ENGINEERED METAL BUILDING STRUCTURAL SYSTEM. SEE P.E.M.B. SHOP DRAWINGS FOR ADDITIONAL INFORMATION.
- 2 ANCHOR BOLTS. SEE FOUNDATION SCHEDULE AND PRE-ENGINEERED METAL BUILDING DRAWINGS FOR SIZE, QUANTITY AND PLAN LOCATION. SEE 1/S3.2 FOR TYPICAL SHOP FABRICATED ANCHOR ASSEMBLY.
- 3 INTERIOR CONCRETE SLAB SEE FOUNDATION PLAN.
- 4 8" (NOM) SPLIT FACE OR SMOOTH FACE CMU. REFER TO STRUCTURAL NOTES SHEET S1 FOR WALL VERTICAL AND HORIZONTAL REINFORCEMENT.
- 5 SLAB HAIRPIN. SEE DETAIL 9/S3.1
- 6 #4 BENT DOWEL @ 18" O.C. (ALTERNATE HOOK DIRECTION)
- 7 #4 CONTINUOUS BARS @ 10" O.C. VERTICALLY
- 8 (2) #4'S CONTINUOUS.
- 9 3/8" OR 1/2" ISOLATION JOINT WITH ASPHALTIC FILLER & SEALANT
- 10 RIGID INSULATION BOARD AS SHOWN AT TOP OF BUILDING. (R-10 MINIMUM REQUIRED).
- 11 TAPER TOP OF RIGID INSULATION 45 DEGREES AS SHOWN. POUR SLAB OVER INSULATION.
- 12 (3) #4'S CONTINUOUS REINFORCEMENT TO RUN CONTINUOUS THRU COLUMN FOOTING.
- 13 SEE FINISH PLAN FOR FINISHED GRADES.
- 14 AT EXTERIOR DOOR LOCATIONS DRILL 6" DEEP HOLES FOR #4x1'-6" DOWELS @ 24" O.C. APPLY ADHESIVE AND INSTALL DOWELS. SEE ADHESIVE SYSTEM NOTES SHEET S1 FOR ADHESIVE ANCHOR INSTALLATION.
- 15 EXTERIOR CONCRETE SLAB OR SIDEWALK SEE 3/S3.1 AND FOUNDATION PLAN.
- 16 #3x4'-6" DOWEL @ 24" O.C. FIELD BEND AS SHOWN 24"
- 17 8" THICK CONCRETE SLAB (REFER TO SLAB NOTE ON SHEET S2 FOR ADDITIONAL INFORMATION)
- 18 PAVING. SEE SITE DEVELOPMENT DRAWINGS FOR ADDITIONAL INFORMATION.
- 19 STEEL BOLLARD SEE SITE PLAN.
- 20 LINE OF CONTINUOUS FOOTING BEYOND
- 21 SEE FOUNDATION SCHEDULE FOR COLUMN PILASTER & FOOTING REINFORCEMENT.
- 22 (3) #3 TIES @ 12" O.C.
- 23 #3 TIES @ 12" O.C.
- 24 6" METAL STUD MATCHING GAUGE AND SPACING OF BACKER STUD. ATTACH TO BACKER STUD W/ #10 SDS @ 24" O.C. (VERTICALLY)
- 25 PROVIDE #4x4'-0" DOWEL AT ALL SLAB INSIDE CORNERS.
- 26 PROVIDE 1/2" ANCHOR BOLTS @ 48" O.C. MAX (7" EMBEDMENT & 2" HOOK)
- 27 SEE STRUCTURAL FRAMING DRAWINGS FOR METAL STUD SIZE, GAUGE, SPACING, AND ATTACHMENT REQUIREMENTS. REFER TO ARCHITECTURAL FOR FINISHES AND ADDITIONAL REQUIREMENTS.
- 28 SEE SECTION FOR REBAR TIES AND SPACING

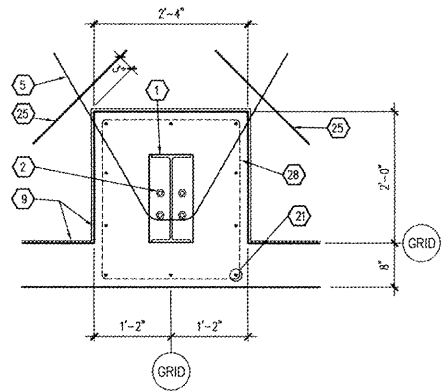


NOTE: ANCHOR BOLT ASSEMBLY TO BE PLACED IN FORM PRIOR TO POURING CONCRETE. BOLT MATERIAL MAY BE F1554 GR. 36, OR CONTINUOUSLY THREADED A36 ROD. ALL ANCHOR BOLTS SHALL BE CLEAN AND FREE OF ALL OIL, GREASE, ICE, ETC.

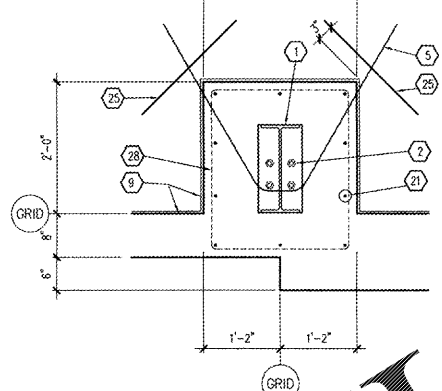
1 ANCHOR ASSEMBLY
S3.2 SCALE: NONE



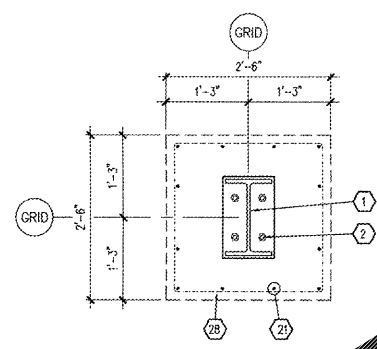
2 DETAIL
S3.2 SCALE: 3/4" = 1'-0"



3 DETAIL
S3.2 SCALE: 3/4" = 1'-0"

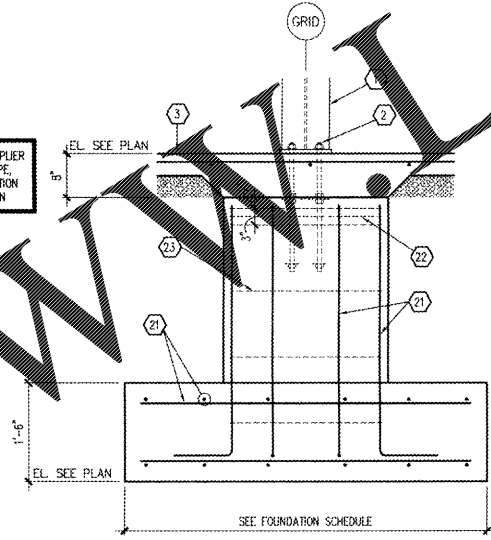


4 DETAIL
S3.2 SCALE: 3/4" = 1'-0"

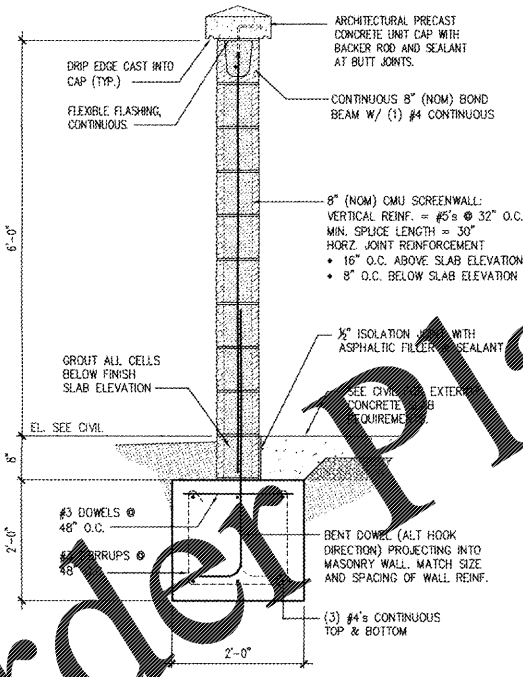


5 SECTION
S3.2 SCALE: 3/4" = 1'-0"

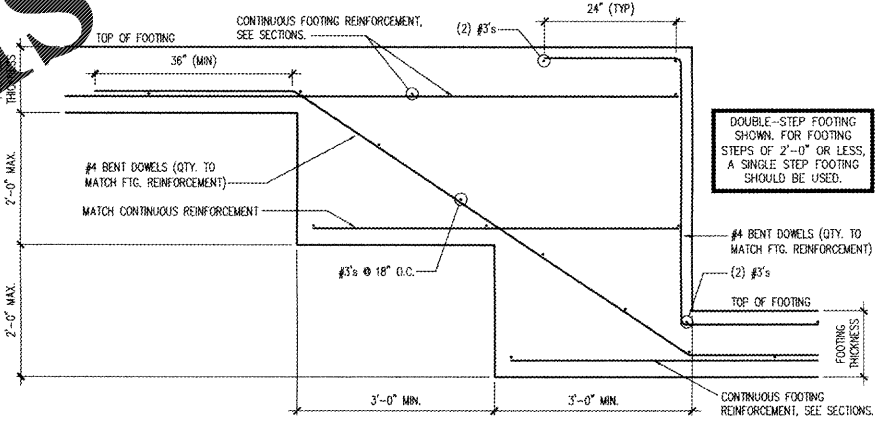
REFER TO PEMB SUPPLIER FOR COLUMN SHAPE, SIZE, AND ORIENTATION AT THIS LOCATION



6 SECTION
S3.2 SCALE: 3/4" = 1'-0"



7 SCREEN WALL
S3.2 SCALE: 3/4" = 1'-0"



8 TYPICAL STEPPED FOOTING
S3.2 SCALE: 3/4" = 1'-0" (IF NEEDED)

Order Plans @ WWW.WALDLINE.COM

CRAIG A. SCHNEIDER, AIA
ARCHITECT
 417.862.8558
 Fax: 417.862.8265
 e-mail: architect@estertyschneider.com

PROJECT:
 NEW O'REILLY AUTO PARTS STORE
 NC STATE HWY 211
 SEVEN LAKES, NC
FOUNDATION DETAILS

O'Reilly AUTO PARTS
 CORPORATE OFFICES
 233 SOUTH PATTERSON
 SPRINGFIELD, MISSOURI 65802
 (417) 862-2674 TELEPHONE

COMM # 4155
 DATE: 3-23-18
 REVISION
 DATE:

Jeffrey S. Smith, P.E.
 Jeffrey S. Smith P.E. 12812
 P.O. Box 9102 • JOPLIN, MISSOURI 64802
 PHONE 417-624-0444 • FAX: 417-624-0430