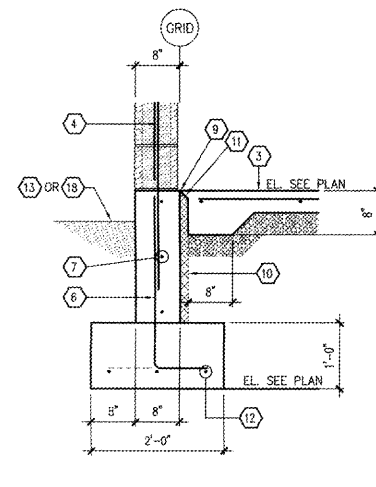
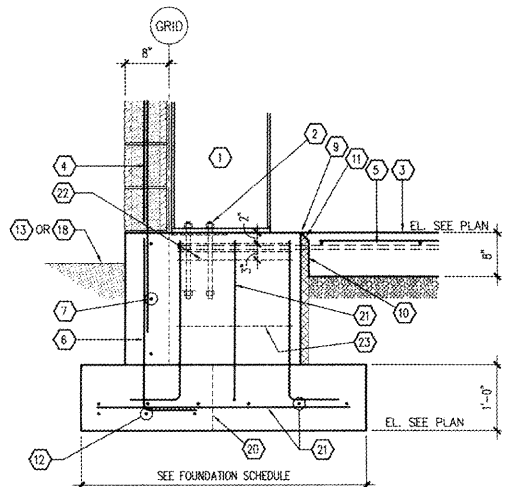


KEYNOTES

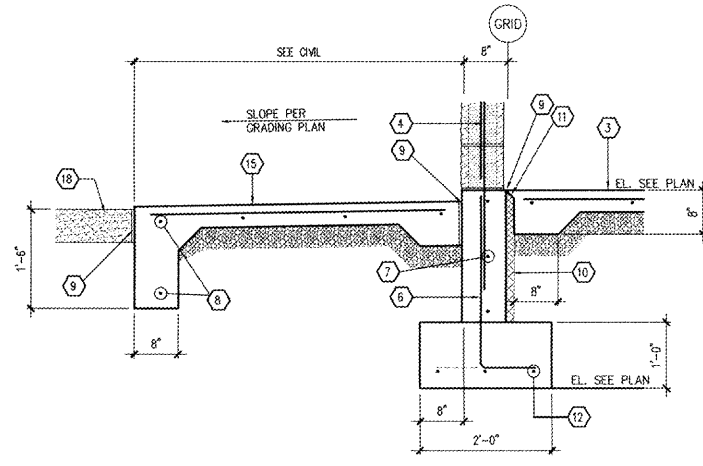
- 1 PRE-ENGINEERED METAL BUILDING STRUCTURAL SYSTEM. SEE P.E.M.B. SHOP DRAWINGS FOR ADDITIONAL INFORMATION.
- 2 ANCHOR BOLTS. SEE FOUNDATION SCHEDULE AND PRE-ENGINEERED METAL BUILDING DRAWINGS FOR SIZE, QUANTITY AND PLAN LOCATION. SEE 1/S3.2 FOR TYPICAL SHOP FABRICATED ANCHOR ASSEMBLY.
- 3 INTERIOR CONCRETE SLAB SEE FOUNDATION PLAN.
- 4 6" (NOM) SPLIT FACE OR SMOOTH FACE CML. REFER TO STRUCTURAL NOTE SHEET S1 FOR WALL VERTICAL AND HORIZONTAL REINFORCEMENT.
- 5 SLAB HAIRPIN. SEE DETAIL 9/S3.1.
- 6 #4 BENT DOWEL @ 18" O.C. (ALTERNATE HOOK DIRECTION)
- 7 #4 CONTINUOUS BARS @ 10" O.C. VERTICALLY
- 8 (2) #4'S CONTINUOUS.
- 9 3/4" OR 1/2" ISOLATION JOINT WITH ASPHALTIC FILLS & SEALANT
- 10 RIGID INSULATION BOARD. SEE AS SHOWN AT TOP OF BUILDING. (R-10 MINIMUM REQUIRED).
- 11 TAPER TOP OF RIGID INSULATION 45 DEGREE. AS SHOWN. POUR SLAB OVER INSULATION.
- 12 (3) #3 TIES @ 12" O.C. TO RUN CONTINUOUS THRU COLUMN FOOTING.
- 13 SEE FOUNDATION PLAN FOR FINISHED GRADES.
- 14 AT EXTERIOR DOOR LOCATIONS DRILL 6" DEEP HOLES FOR #4x1'-6" DOWELS @ 24" O.C. WITH ADHESIVE AND INSTALL DOWELS. SEE ADHESIVE SYSTEM SHEET S1 FOR ADHESIVE ANCHOR INSTALLATION.
- 15 EXTERIOR CONCRETE SLAB OR SIDEWALK SEE 3/S3.1 AND FOUNDATION PLAN.
- 16 #3x4'-6" DOWEL @ 24" O.C. FIELD BEND AS SHOWN 24"
- 17 8" THICK CONCRETE SLAB (REFER TO SLAB NOTE ON SHEET S2 FOR ADDITIONAL INFORMATION)
- 18 PAVING. SEE SITE DEVELOPMENT DRAWINGS FOR ADDITIONAL INFORMATION.
- 19 STEEL BOLLARD SEE SITE PLAN.
- 20 LINE OF CONTINUOUS FOOTING BEYOND
- 21 SEE FOUNDATION SCHEDULE FOR COLUMN PILASTER & FOOTING REINFORCEMENT.
- 22 (3) #3 TIES @ 12" O.C.
- 23 #3 TIES @ 12" O.C.
- 24 6" METAL STUD MATCHING GAUGE AND SPACING OF BACKER STUD. ATTACH TO BACKER STUD W/ #10 SDS @ 24" O.C. (VERTICALLY)
- 25 PROVIDE #4x4'-0" DOWEL AT ALL SLAB INSIDE CORNERS.
- 26 PROVIDE 1/2" ANCHOR BOLTS @ 48" O.C. MAX (7" EMBEDMENT & 2" HOOK)
- 27 SEE STRUCTURAL FRAMING DRAWINGS FOR METAL STUD SIZE, GAUGE, SPACING, AND ATTACHMENT REQUIREMENTS. REFER TO ARCHITECTURAL FOR FINISHES AND ADDITIONAL REQUIREMENTS.
- 28 SEE SECTION FOR REBAR TIES AND SPACING



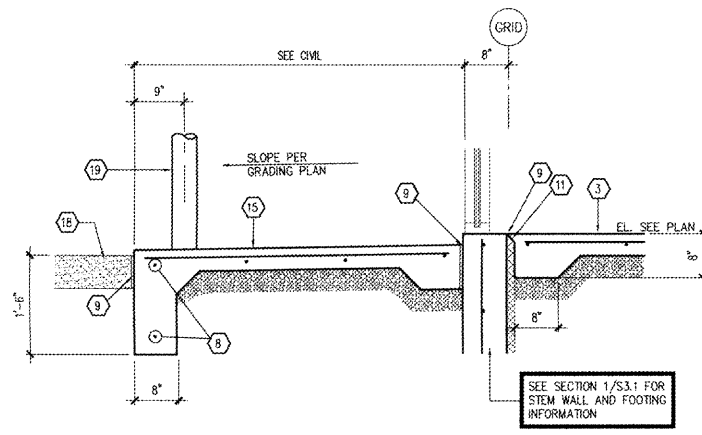
1 SECTION
S3.1 SCALE: 3/4" = 1'-0"



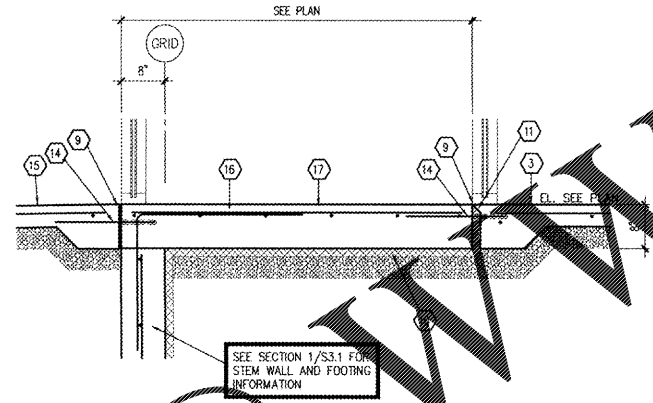
2 SECTION
S3.1 SCALE: 3/4" = 1'-0"



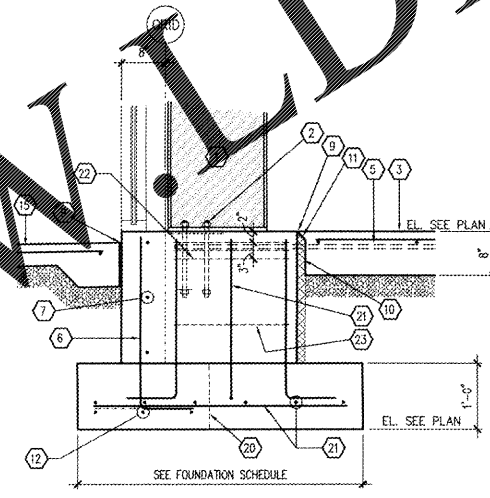
3 SECTION
S3.1 SCALE: 3/4" = 1'-0"



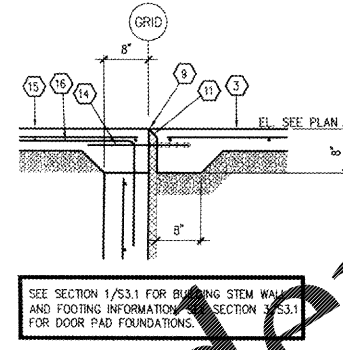
4 SECTION
S3.1 SCALE: 3/4" = 1'-0"



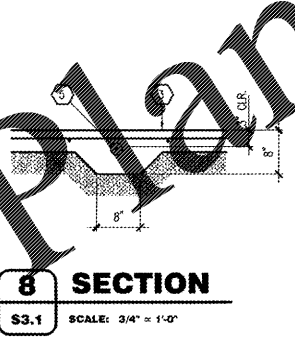
5 SECTION
S3.1 SCALE: 3/4" = 1'-0"



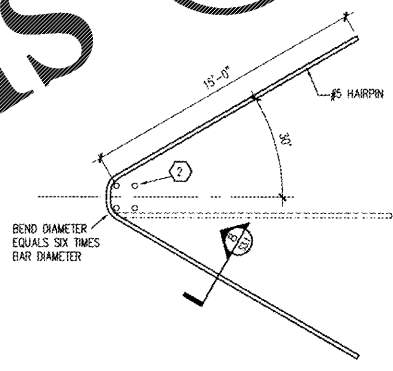
6 SECTION
S3.1 SCALE: 3/4" = 1'-0"



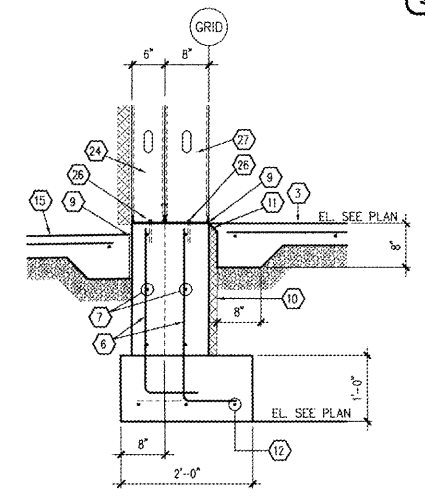
7 SECTION
S3.1 SCALE: 3/4" = 1'-0"



8 SECTION
S3.1 SCALE: 3/4" = 1'-0"



9 TYPICAL HAIRPIN DETAIL
S3.1 SCALE: NONE



10 SECTION
S3.1 SCALE: 3/4" = 1'-0"



CRAIG A. SCHNEIDER, AIA
ARCHITECT

417.862.8558
417.862.9265
e-mail: architect@estertyschneider.com

PROJECT:
NEW O'REILLY AUTO PARTS STORE
NC STATE HWY 211
SEVEN LAKES, NC

1736 East Sunshine, Suite 417
Springfield, Missouri 65804

O'Reilly AUTO PARTS
CORPORATE OFFICES
633 SOUTH PATTERSON
SPRINGFIELD, MISSOURI 65802
(417) 862-2674 TELEPHONE

COMM # 4155
DATE: 3-23-18
REVISION
DATE:



Jeffrey S. Smith, P.E.
Jeffrey S. Smith P.E. 12812
P.O. Box 8102 • JOPLIN, MISSOURI 64802
PHONE: 417-624-0444 • FAX: 417-624-0430