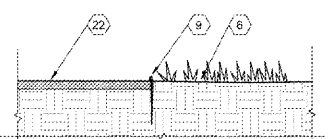
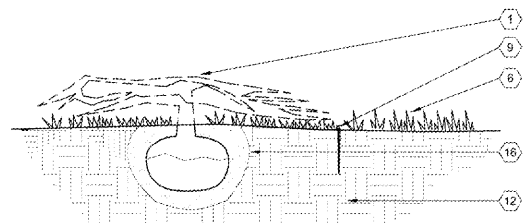


1 SOD DETAIL
L1.2 SCALE: 3/4" = 1'-0"

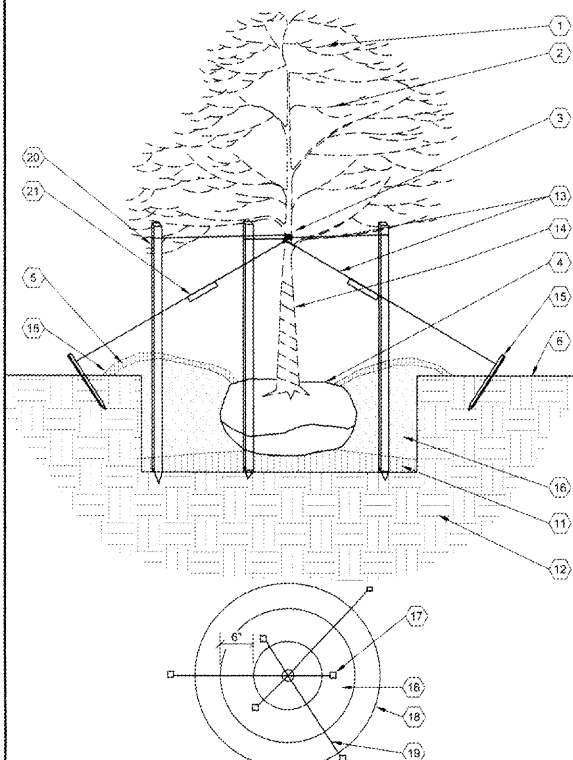


3 MULCH DETAIL
L1.2 SCALE: 3/4" = 1'-0"

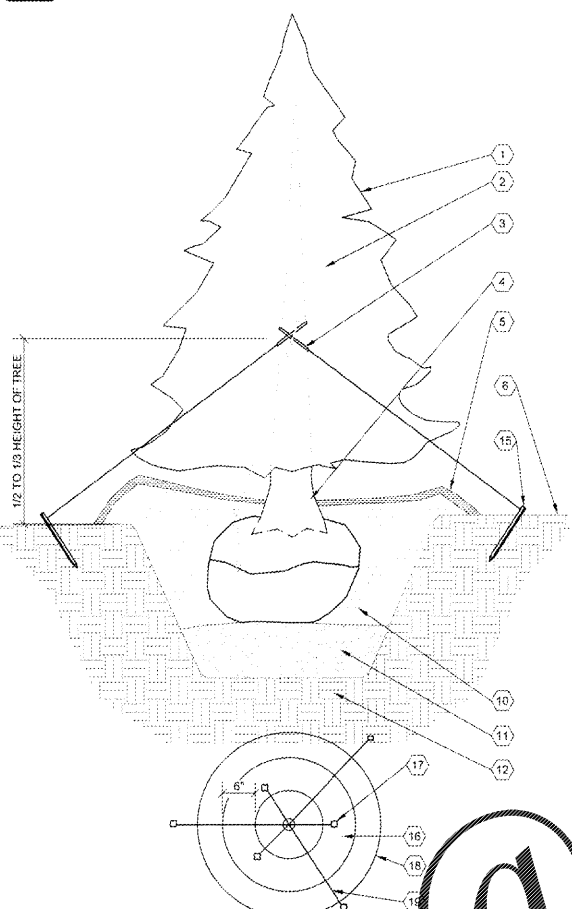


4 SMALL SHRUB DETAIL
L1.2 SCALE: 3/4" = 1'-0"

2 NOT USED
L1.2 SCALE: NTS



5 LARGE DECIDUOUS TREE
L1.2 SCALE: 3/4" = 1'-0"



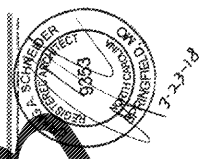
6 LARGE CONIFEROUS TREE
L1.2 SCALE: 3/4" = 1'-0"

GENERAL NOTES

- A REFER TO PROJECT MANUAL AND SCOPE OF WORK SCHEDULE FOR ADDITIONAL REQUIREMENTS.
- B REFER TO LANDSCAPE PLAN FOR PLANTING TYPES AND LOCATIONS.
- C COORDINATE WORK WITH OTHER SITE RELATED DEVELOPMENT DRAWINGS.

KEY NOTES

- 1 PLANTING REFER TO PLANTING SCHEDULE FOR TYPES
- 2 SET TREE LEANS AND PLUM, STRAIGHTEN AFTER SETTLEMENT IF NEEDED
- 3 ENCASE WIRE AROUND TRUNK IN BLACK RUBBER. MOVE UP ABOVE COLLAR TO 1/3 OF THE HEIGHT OF TREE.
- 4 SET TREE WITH TOP 1/3 OF ROOT ABOVE FINISH GRADE
- 5 REFER TO LANDSCAPE PLAN FOR GROUND COVER TYPE AND LOCATIONS. PROVIDE 3" DEEP 5/8" CRACK GRAVEL OVER BLACK 4 MIL VISQUEEN VAPOR BARRIER OR 3" SHREDDED CYPRESS MULCH OVER BLACK 4 MIL VISQUEEN VAPOR BARRIER.
- 6 LAWN
- 7 REFER TO SITE GRADING PLAN FOR SLOPE. PLACE THREE PINS EVERY 2'-0", SPACING EQUALLY. SOO SHALL BE COMPOSED OF TWO VARIETIES MINIMUM OF FESCUE GRASS.
- 8 NOT USED.
- 9 4" BLACK POLY VINYL EDGING
- 10 PREFERRED SOIL
- 11 COMPACTED PLANTING
- 12 SUB GRADE
- 13 TWO STRANDS OF WIRE
- 14 TRUNK WRAP
- 15 2" X 2" X 10" WOOD STAKES BURY BELOW FINISH GRADE
- 16 PREPARED PLANTING MIXTURE.
- 17 TREES 6'-0" IN HEIGHT OR LESS SHALL BE STAKED
- 18 EXTENTS OF PLANTING BERM TO HOLD WATER
- 19 TREES TALLER THAN 3'-0" MUST BE TIED.
- 20 2" X 4" STAKE - OR - METAL FENCE POST
- 21 1" X 4" X 10" WHITE WOOD FLAG
- 22 3" DEEP SHREDDED CYPRESS MULCH OVER BLACK VISQUEEN VAPOR BARRIER.



1736 East Sunshine, Suite 200
Springfield, Missouri 65804
417.862.0558
Fax: 417.862.3285
e-mail: architect@esterlyscneider.com

ESTERLY SCNEIDER & ASSOCIATES, INC.
architects & planners
AIA

PROJECT:
NEW O'REILLY AUTO PARTS STORE
NC STATE HWY 211
SEVEN LAKES, NC
LANDSCAPE DETAILS

O'Reilly AUTO PARTS
CORPORATE OFFICES
233 SOUTH PATTERSON
SPRINGFIELD, MISSOURI 65802
(417) 862-2674 TELEPHONE

COMM #	4155
DATE:	3-23-18
REVISION	
DATE:	