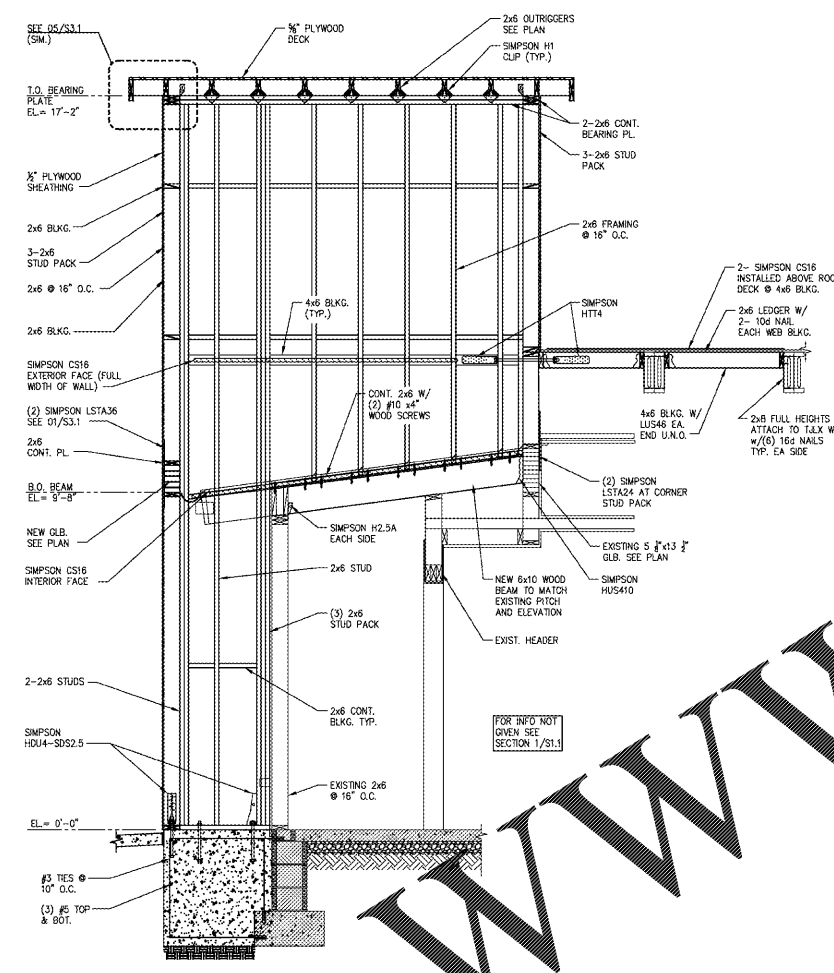
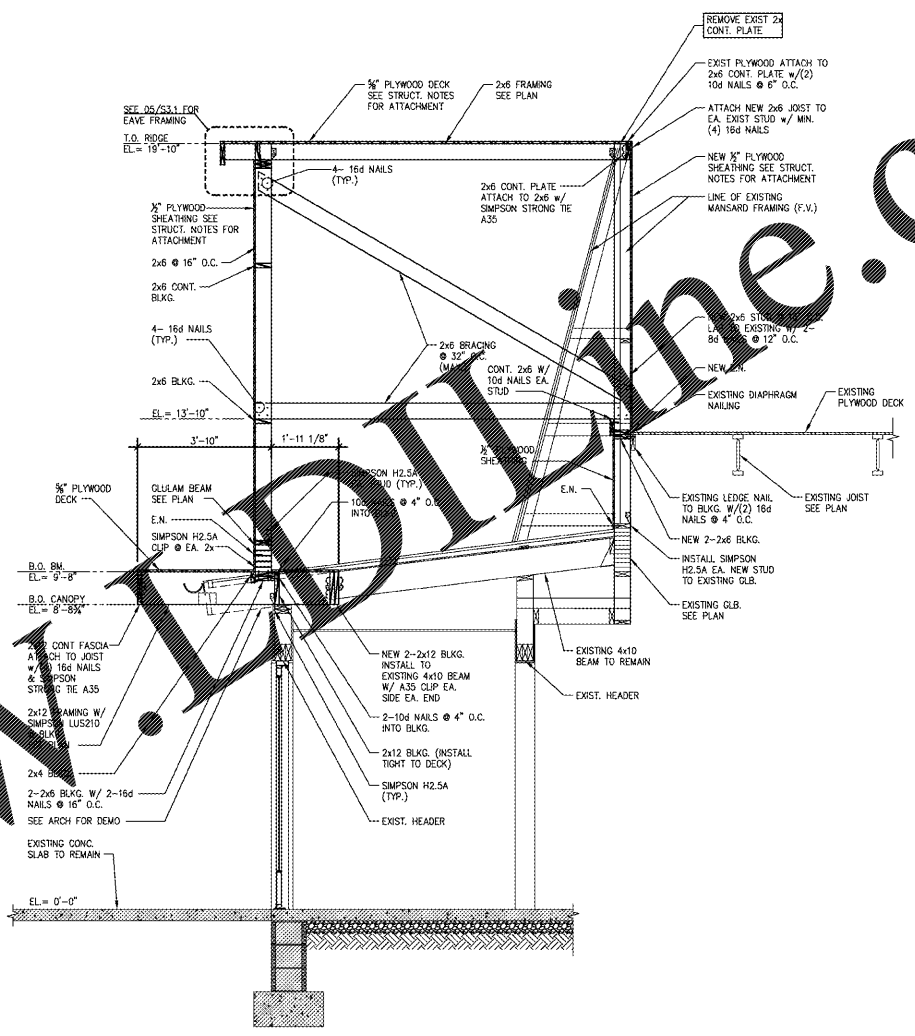


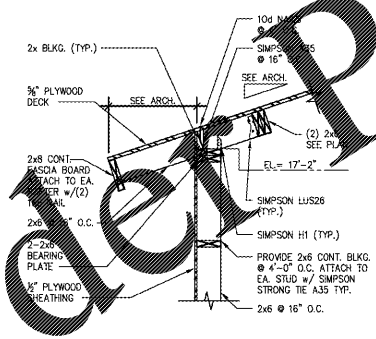
SECTION 1
SCALE: 1/2" = 1'-0"



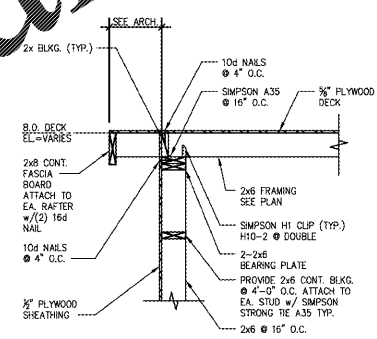
SECTION 2
SCALE: 1/2" = 1'-0"



SECTION 3
SCALE: 1/2" = 1'-0"



SECTION 4
SCALE: 3/4" = 1'-0"



SECTION 5
SCALE: 3/4" = 1'-0"

Order Plans @ www.pdfline.com

THESE DRAWINGS AND SPECIFICATIONS REMAIN THE PROPERTY OF THE DESIGN PROFESSIONAL. AUTHORIZED COPIES OF THESE DRAWINGS AND SPECIFICATIONS RETAINED BY THE CLIENT MAY BE UTILIZED ONLY FOR THEIR USE AND FOR OCCUPANCY OF THE PROJECT FOR WHICH THEY WERE PREPARED, AND NOT FOR THE CONSTRUCTION OF ANY OTHER PROJECT. NO OTHER PROJECTS OR REUSE OF THESE DRAWINGS IS STRICTLY PROHIBITED.

imdgrouppa architects
 ARCHITECTURE
 1711 GALLATIN RD NORTH
 MADISON, TN 37117
 TEL: 615.261.1111
 FAX: 615.261.1112
 WWW.IMDGROUP.COM

ARCHITECT'S PROJECT #: 17-0341

MOHAMMAD R. SERAJI, P.E.
 43 SOUTH HIGHLAND BLVD, LEONARDIA, NJ 07033
 TEL: 908.687.8888
 FAX: 908.687.8889
 EMAIL: MRSERAJI@MRSERAJI.COM

Olive Garden
 ITALIAN KITCHEN

Restaurant #: 1173

Issue Date: 04-12-2018

REVISION INFORMATION	
1	
2	
3	
4	
5	
6	
7	
8	

P1-B (HIGH)
 1711 GALLATIN RD NORTH
 MADISON, TN
 FRAMING SECTIONS & DETAILS
 S3.1