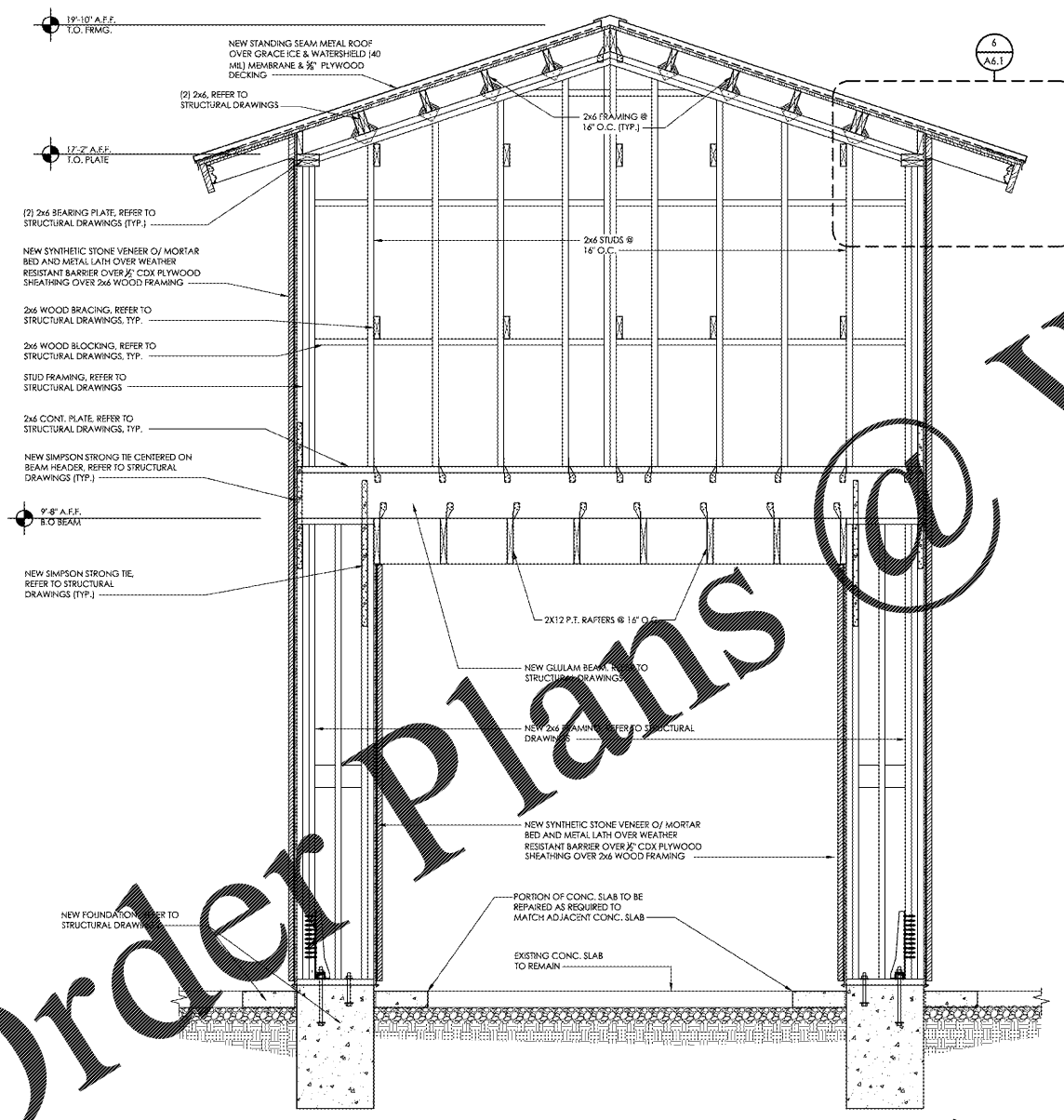
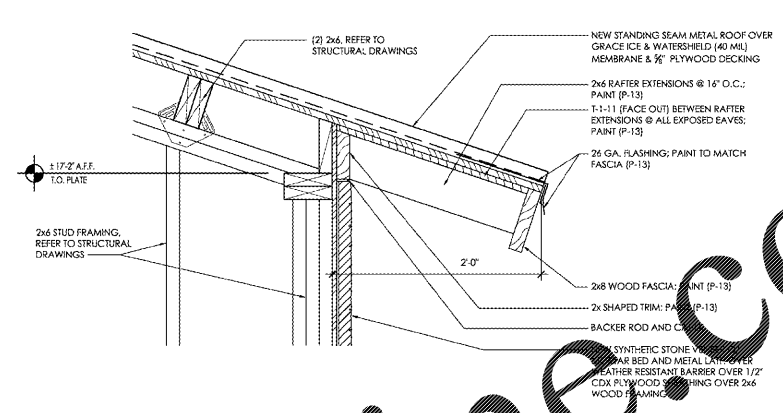


3 FLASHING DETAIL 3'

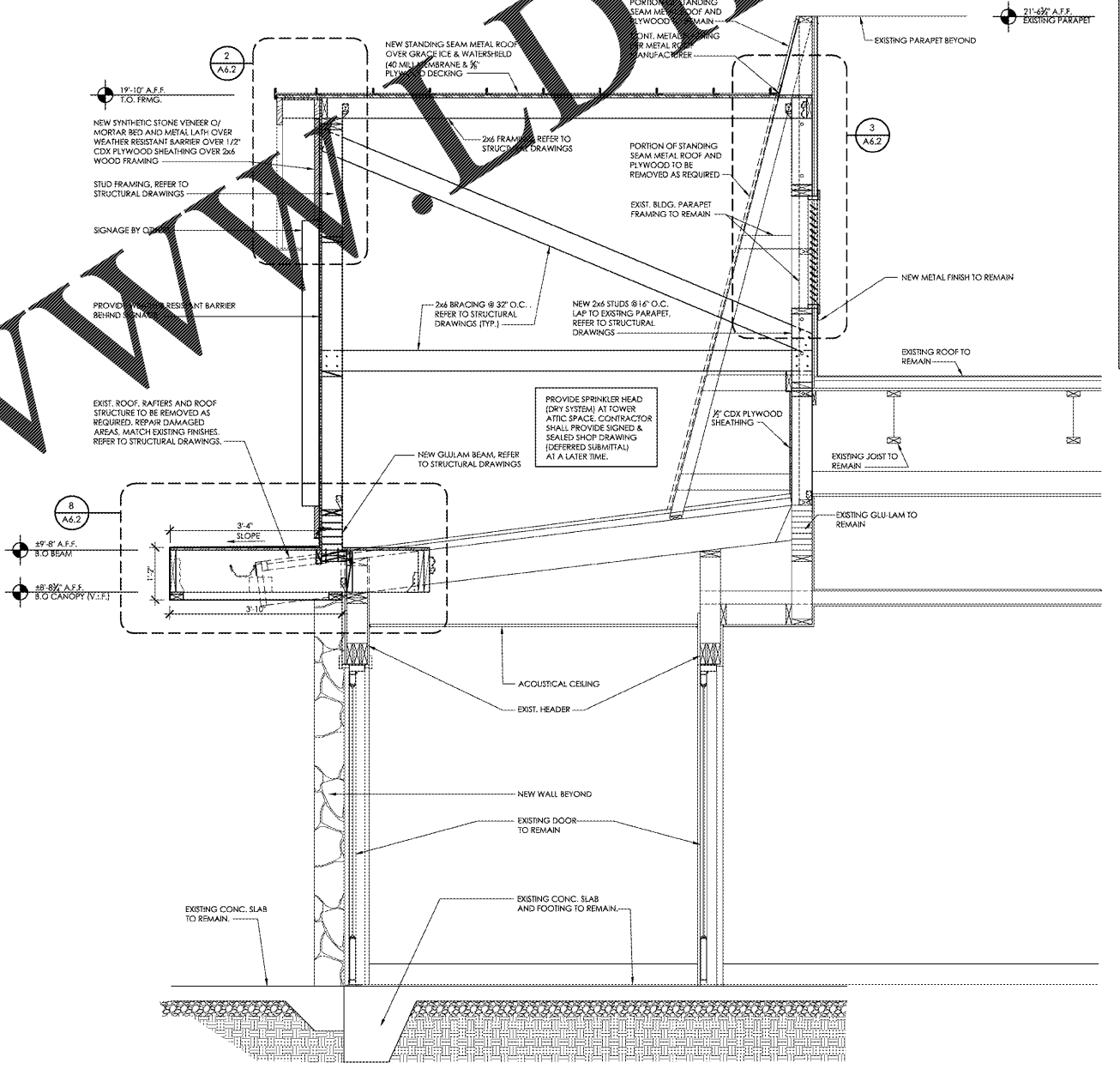
4 NOT USED

5 NOT USED

6 EAVE DETAIL 1 1/2'



1 CROSS SECTION AT TOWER



2 SECTION AT TOWER

WWW.DLine.com

Order Plans @

THESE DRAWINGS AND SPECIFICATIONS REMAIN THE PROPERTY OF THE DESIGN PROFESSIONAL. AUTHORIZED COPIES OF THESE DRAWINGS AND SPECIFICATIONS REMAINED BY THE CLIENT MAY BE UTILIZED ONLY FOR THEIR USE AND FOR OCCUPYING THE PROJECT FOR WHICH THEY WERE PREPARED, AND NOT FOR THE CONSTRUCTION OF ANY OTHER PROJECT. ANY REUSE OR REPRODUCTION OF THESE DRAWINGS IS STRICTLY PROHIBITED.

Design Group PA Architects
 1000 W. Main St., Suite 100
 Nashville, TN 37203
 Phone: 615.259.1772
 Fax: 615.259.1773
 Email: info@designgroup.com

ARCHITECTS PROJECT #: 17-0341

Olive Garden
 ESTABLISHED 1978

Issue Date: 04-26-2018

REVISION INFORMATION	
1	
2	
3	
4	
5	
6	
7	
8	

Restaurant #: 1173

P1B (HIGH)
 1711 GALLATIN RD NORTH
 MADISON, TN

Drawing: **TOWER SECTIONS AND DETAILS**

A6.1