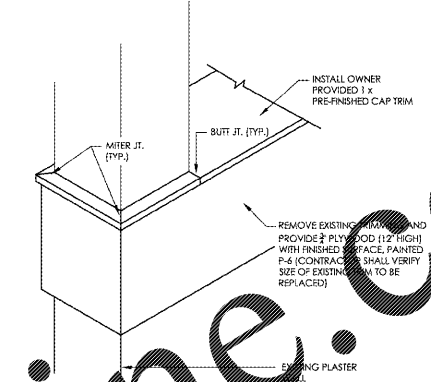
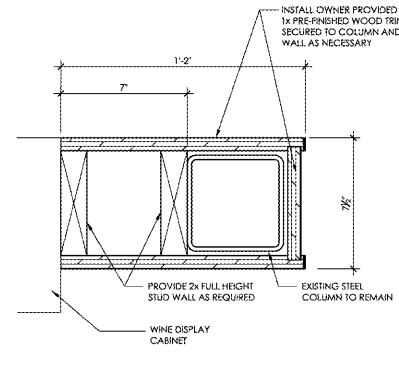


3 NOT USED

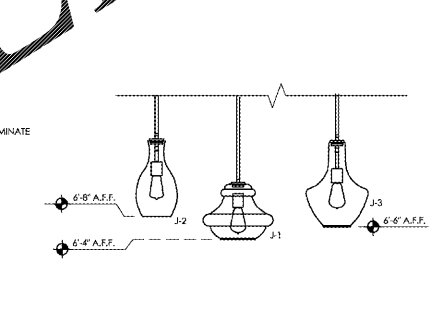
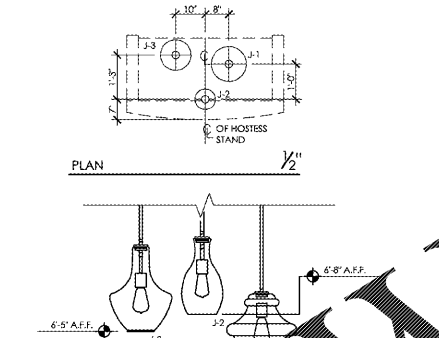
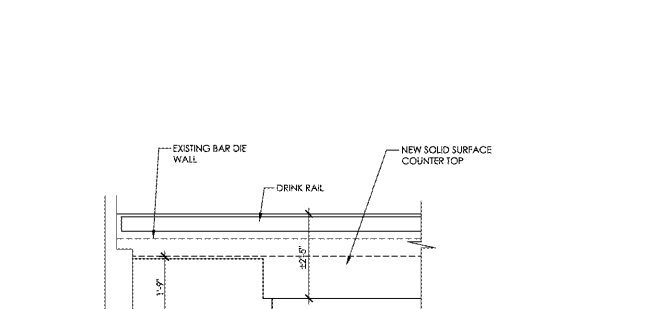
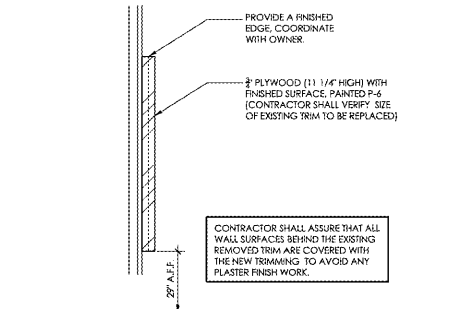


1 PRE-FINISHED JOIST CEILING SYSTEM DETAIL 3"

2 PRE-FINISHED JOIST CEILING SYSTEM DETAIL 3"

4 COLUMN DETAIL 3"

5 CORNER TRIM DETAIL N.T.S.

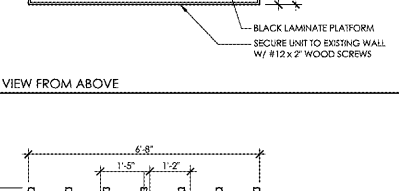
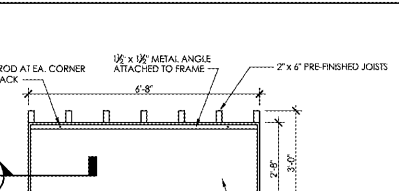
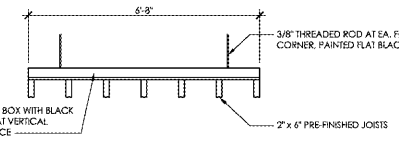
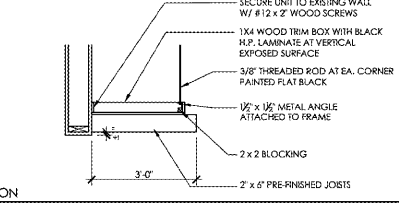
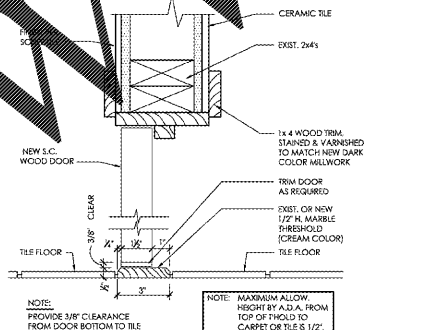
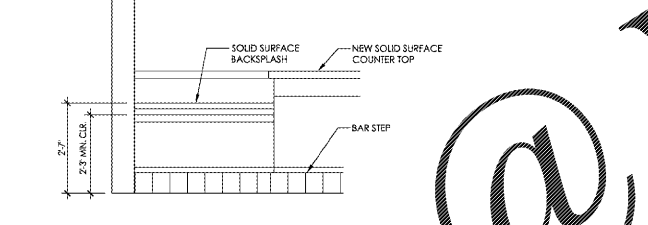
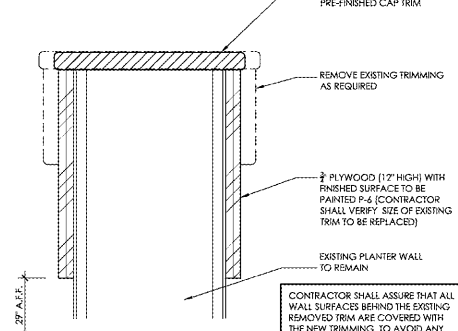


6 CHAIR RAIL DETAIL 3"

9a COUNTER PLAN 1/2"

10 LIGHTING FIXTURE AT HOSTESS STAND 1"

12b LIGHT FIXTURE ELEVATION 1"



NOT USED

7 TRIM DETAIL 3"

9b COUNTER ELEVATION 1/2"

11 RESTROOMS DOOR 3"

12a SECTION 1/2"

12a FRONT ELEVATION 1/2"

12a PLAN VIEW FROM ABOVE 1/2"

12a PLAN VIEW FROM BELOW 1/2"

8 NOT USED

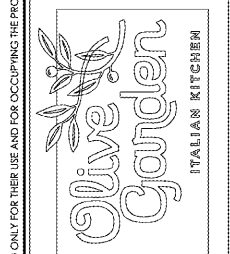
9c BAR SECTION 1 1/2"

11 RESTROOMS DOOR 3"

12 LATTICE / PENDANT SUPPORT UNIT UNIT IS PROVIDED BY OWNER, INSTALLED BY CONTRACTOR

13 NOT USED

**Order Plans @**



Issue Date: 05-03-2018

REVISION INFORMATION

Restaurant #: 1289

P1B (MEDIUM)

1903 N ROAN STREET

JOHNSON CITY, TN

Drawing SECTIONS/DETAILS

A8.3

THESE DRAWINGS AND SPECIFICATIONS REMAIN THE PROPERTY OF THE DESIGN PROFESSIONAL. AUTHORIZED COPIES OF THESE DRAWINGS ARE FOR THE CONSTRUCTION OF ANY OTHER PROJECTS. UNAUTHORIZED REPRODUCTION OR USE OF THESE DRAWINGS IS STRICTLY PROHIBITED.