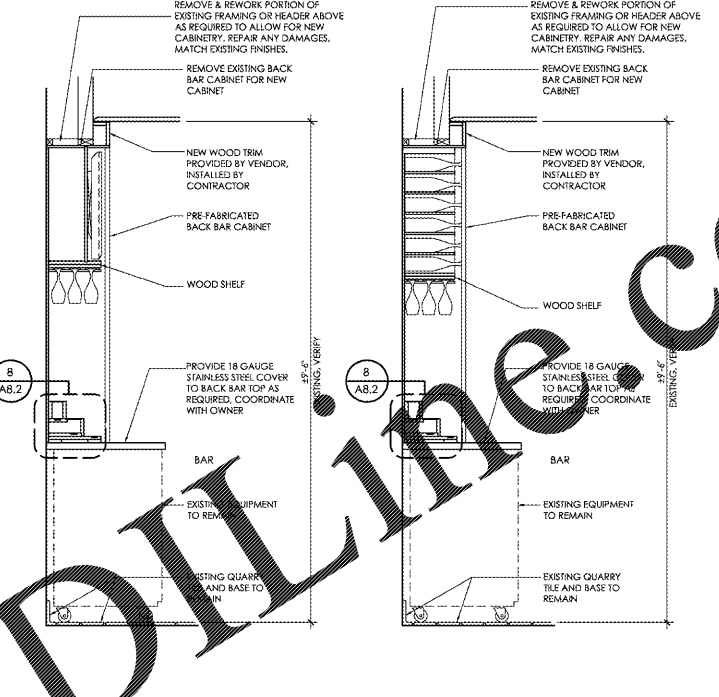
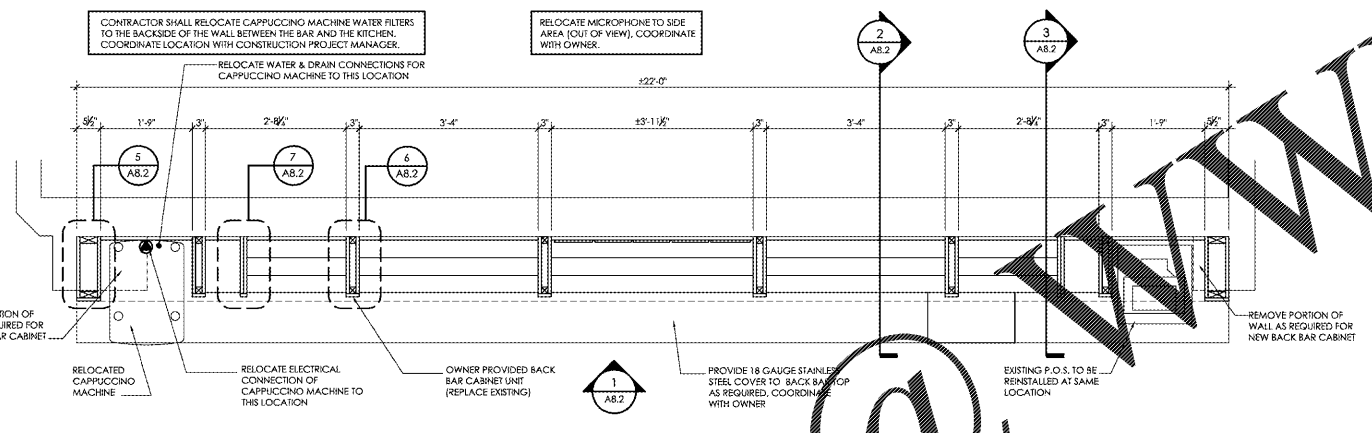


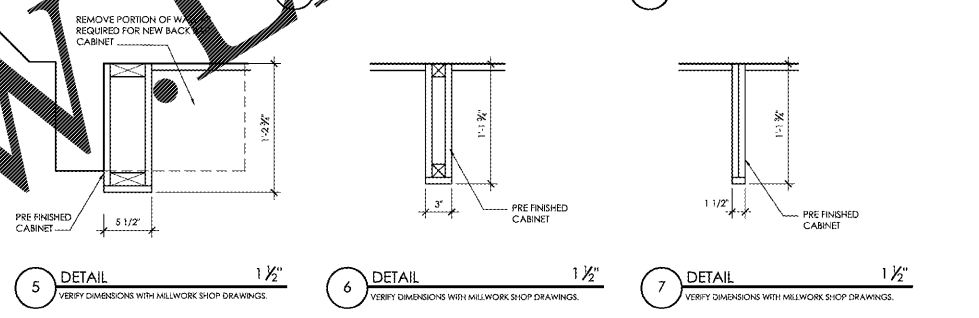
1 BACK BAR ELEVATION 3/4"



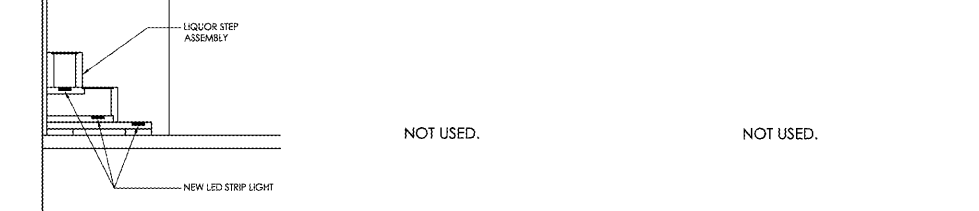
2 BACK BAR SECTION 3/4" 3 BACK BAR SECTION 3/4"



4 BACK BAR PLAN 3/4"



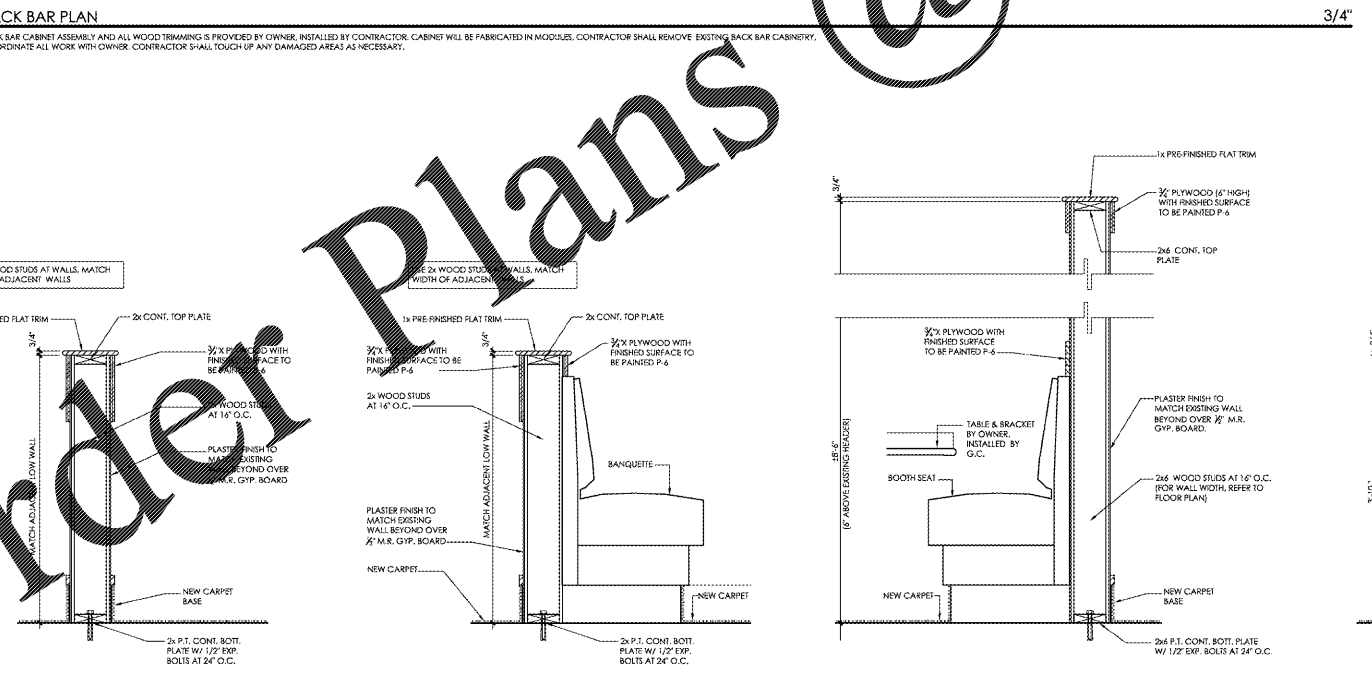
5 DETAIL 1 1/2" 6 DETAIL 1 1/2" 7 DETAIL 1 1/2"



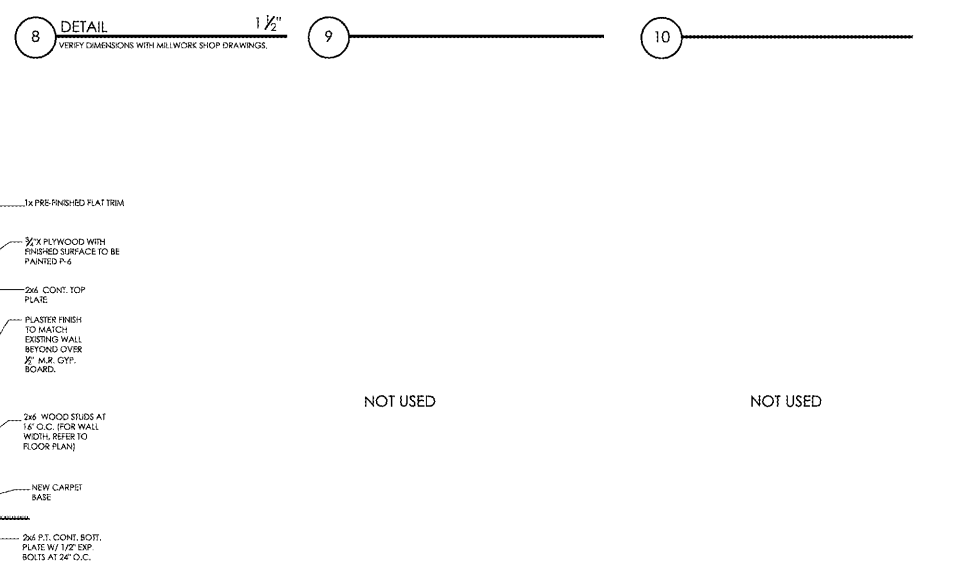
8 DETAIL 1 1/2"

NOT USED.

NOT USED.



11 LOW WALL DETAIL 1" 12 LOW WALL DETAIL 1" 13 LOW WALL DETAIL 1"



14 LOW WALL DETAIL 1" 15 16

NOT USED

NOT USED

Order Plans

WWW.LDLINE.COM

THESE DRAWINGS AND SPECIFICATIONS REMAIN THE PROPERTY OF THE DESIGN PROFESSIONAL. AUTHORIZED COPIES OF THESE DRAWINGS MAY BE UTILIZED ONLY FOR THEIR USE AND FOR OCCUPYING THE PROJECT FOR WHICH THEY WERE PREPARED, AND NOT FOR THE CONSTRUCTION OF ANY OTHER PROJECTS. AUTHORIZED COPIES OF THESE DRAWINGS IS STRICTLY PROHIBITED.

LDLINE ARCHITECTS
 ARCHITECTURE
 1000 N. ROAN STREET, SUITE 100
 JOHNSON CITY, TN 37601
 PH: 615.944.1111
 WWW.LDLINE.COM

Johnson Group PA
 ARCHITECTURE
 1000 N. ROAN STREET, SUITE 100
 JOHNSON CITY, TN 37601
 PH: 615.944.1111
 WWW.LDLINE.COM

PROJECT #:
 17-0357

Restaurant #:
 1289

Issue Date: 05-03-2018

REVISION INFORMATION	
1	
2	
3	
4	
5	
6	
7	
8	

P1B (MEDIUM)
 1903 N ROAN STREET
 JOHNSON CITY, TN

Drawing
SECTIONS/DETAILS

A8.2