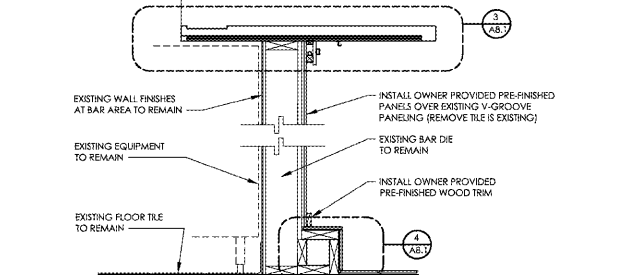
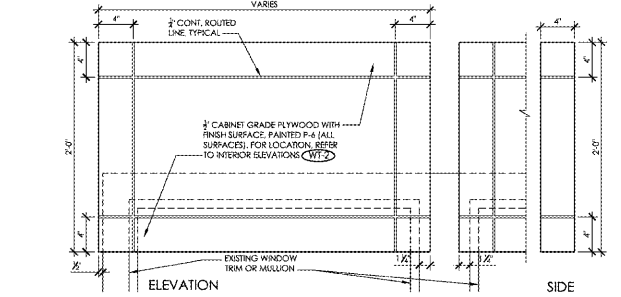


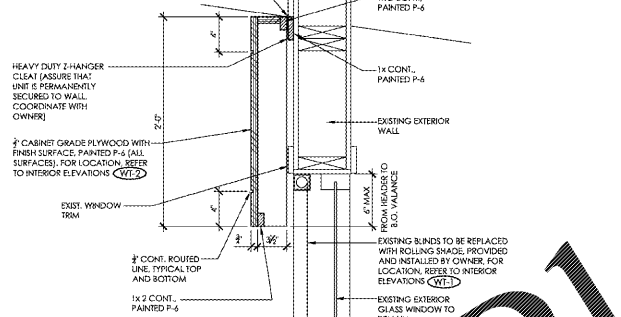
1 BAR SECTION 1 1/2"



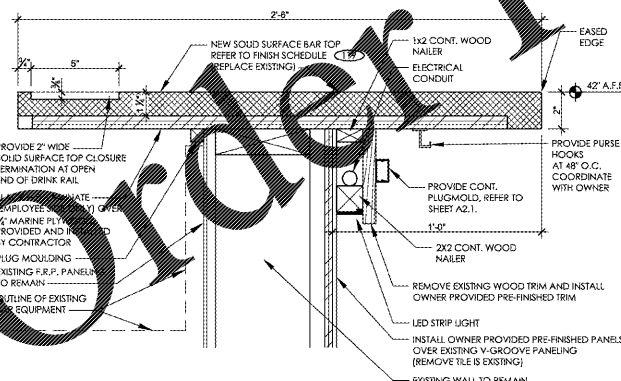
1 BAR SECTION 1 1/2"



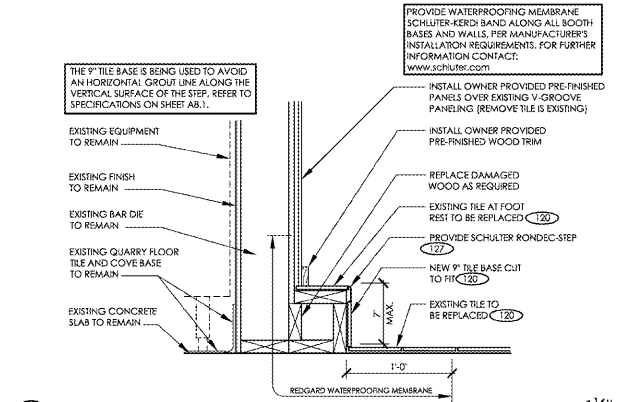
2 PANEL OPTION VALANCE DETAIL 1 1/2"



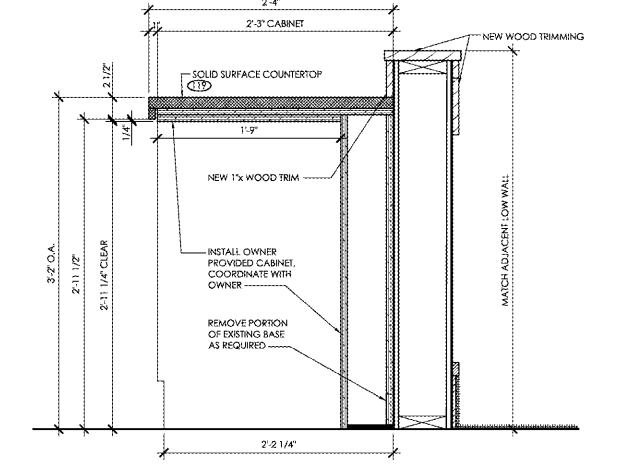
2 PANEL OPTION VALANCE DETAIL 1 1/2"



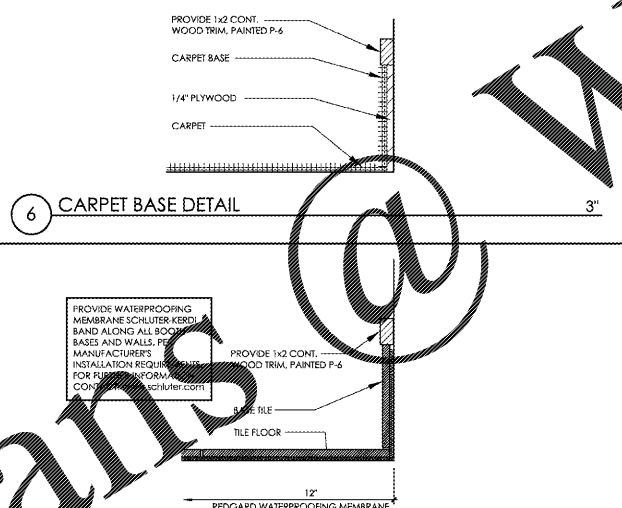
3 COUNTER TOP DETAIL 3"



4 BAR STEP DETAIL 1 1/2"



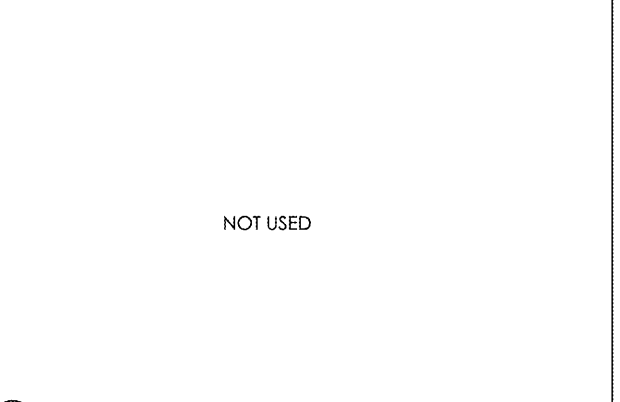
5 ISLAND CABINET DETAIL 1 1/2"



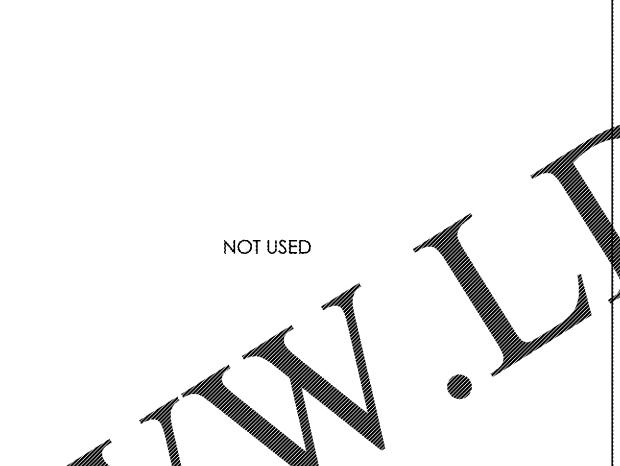
6 CARPET BASE DETAIL 3"



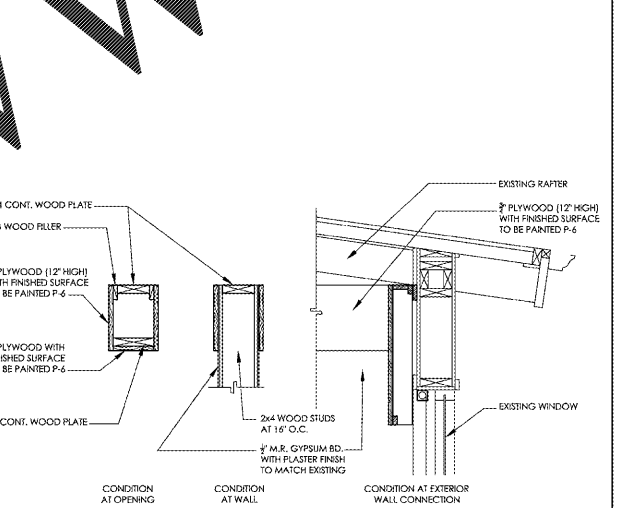
7 BASE TILE DETAIL 3"



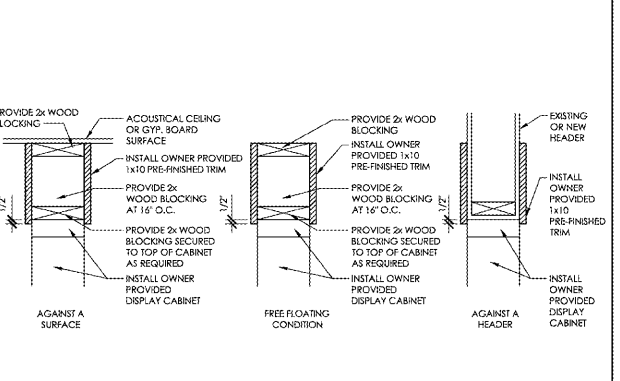
11 FAMILY ROOM WALL DETAILS 1"



12 TRIM DETAILS 1 1/2"



13A PLAN SECTION DETAIL: POS BOX



13B ELEVATION DETAIL: POS BOX 13C SIDE SECTION DETAIL: POS BOX 1"

INTERIOR FINISH SCHEDULE			
NO.	MATERIAL	DESCRIPTION	REMARKS (SUPPLIED/INSTALLED BY G.C., U.N.O.)
P-1	PAINT (WALLS)	BENJAMIN MOORE - 254, EGGSHELL FINISH	NOTE: SUPPLY SAMPLE FOR OWNER APPROVAL PRIOR TO APPLICATION. REFER TO PAINT NOTES BELOW.
P-2	PAINT (WALL ACCENT)	PAINT (P-2A): BENJAMIN MOORE - 258, EGGSHELL FINISH. COLOR: ACCENT SQUASH. PAINT (P-2B): BENJAMIN MOORE, EGGSHELL FINISH. COLOR: #108 - 10 BAIN WHITE. PAINT (P-2C): BENJAMIN MOORE, EGGSHELL FINISH. COLOR: #100 - NORTH CREEK BROWN.	NOTE: SUPPLY SAMPLE FOR OWNER APPROVAL PRIOR TO APPLICATION. REFER TO PAINT NOTES BELOW.
P-3	PAINT (WOOD OR METALS)	BENJAMIN MOORE - AURA P 2114-10. COLOR: INTERMEDIATE CHOCOLATE. FINISH: WOOD-SATIN. METAL: SEMI-GLOSS.	NOTE: SUPPLY SAMPLE FOR OWNER APPROVAL PRIOR TO APPLICATION. REFER TO PAINT NOTES BELOW.
P-4	PAINT (CEILING)	BENJAMIN MOORE, EGGSHELL. COLOR: #100 - NORTH CREEK BROWN.	NOTE: SUPPLY SAMPLE FOR OWNER APPROVAL PRIOR TO APPLICATION. REFER TO PAINT NOTES BELOW.
P-5	PAINT (CEILING)	BENJAMIN MOORE, EGGSHELL. COLOR: #9C-28 MONROE BGDUE.	NOTE: SUPPLY SAMPLE FOR OWNER APPROVAL PRIOR TO APPLICATION. REFER TO PAINT NOTES BELOW.
P-6	PAINT (TRIMMING)	PITTSBURGH PAINTS. BREAK-THROUGH 250. SATIN UD BASE. COLOR: FRENCH TOAST. #PPG15-54.	NOTE: SUPPLY SAMPLE FOR OWNER APPROVAL PRIOR TO APPLICATION. REFER TO PAINT NOTES BELOW.
119	SOLID SURFACE	1 1/2\"/>	FURNISHED AND INSTALLED BY CONTRACTOR. BAR TOP, INTERIORS ISLAND, COUNTER AND SIDE DINING WINE SEATING BENCHES. FLOOR TILE BAR FOOT REST. FURNISHED & INSTALLED BY CONTRACTOR.
120	F-1	SPECIALTY TILE BY RANGEO - 8\"/>	FURNISHED & INSTALLED BY CONTRACTOR.
121	NOT USED		
122	NOT USED		
123	NOT USED		
124	WALK OFF MAT	PANOL ACCORWAYE PATTERNED LOGO. POLYAR. 24\"/>	FURNISHED & INSTALLED BY G.C.
125	CARPET TILE	ISLAND. NAME: 501. SOUND OFF. DIMENSIONS: 30\"/>	FURNISHED AND INSTALLED BY OWNER. INSTALL PATTERN: PATTERN BRICK, ASHLAR, QUARTER TURN.
126	BOARDING	MASLAND M... 2024 ECHO. COLOR: #108 - 10 BAIN WHITE. MASLAND M... ADHESIVE No. 3200.	FURNISHED AND INSTALLED BY OWNER.
127	TRIM	SCHULTER - RONDEC - STEP R8120AG839.	FURNISHED & INSTALLED BY G.C.
128	STRIP	CONTACT STEPHANE N. LAMBLUSCHINE. P. (603) 371-8232. F. (603) 371-8294. FAX: (603) 371-8232. EMAIL: S@STEPHANE.COM. WWW.STEPHANE.COM.	NOTING FURNISHED AND INSTALLED BY OWNER. (SUPPLIER: INTERFACE).
129	FINISHING POSITION STRIP	SCHULTER - SCHREINER A 1004X8. FINISH: BRIGHT COPPER / BRONZE ANODIZED.	FURNISHED AND INSTALLED BY CONTRACTOR AT TRANSITION. - BETWEEN TILE AND CARPET FLOORING. - BETWEEN WALK-OFF CARPET AND DINING CARPET.
130	STONE VENEER PANEL	NESTSTONE SANDY BUFF. CONTACT STEPHANE N. LAMBLUSCHINE. P. (603) 371-8232. F. (603) 371-8294. FAX: (603) 371-8232. EMAIL: S@STEPHANE.COM. WWW.STEPHANE.COM.	PROVIDED BY MILLWORK VENDOR & INSTALLED BY GENERAL CONTRACTOR.
20	CUSTOM TRELLIS CEILING FRAMING	FINISH TO MATCH FORMICA - 7481 - 58 - NATURAL BIRCH (MATTIE FINISH). SIZE: VARIES.	FURNISHED BY OWNER, INSTALLED BY G.C.
201	CEILING TILES	USG - PROS 3L. COLOR: CLIMA PLUS No. 511-7475 - 2\"/>	FURNISHED & INSTALLED BY G.C.
202	CEILING TILES	USG - PROS 3L. COLOR: CLIMA PLUS No. 414 - 2\"/>	FURNISHED & INSTALLED BY G.C.
203	REIN PANELS	S - FORM - VARIA ECORESN. STYLE: HINT RILE + MOSS (COLOR). FINISH: FRONT - HINT RISE SHRODS. BACK - PATENT GAUGE: 1\"/>	NOTE: BACK BAR INSERT BACK PANELS.
21	H.P. LAMINATE	FORMICA #7481-58. NATURAL BIRCH.	MILLWORK LAMINATE. CUSTOM TRELLIS.
22	H.P. LAMINATE	WILSONART #73436 - 07. COLUMBIAN WALNUT.	MILLWORK LAMINATE.
WT-1	SOLAR SHADES	WINDOW INTERIORS - SOLAR SHADES. FINISH: HEAVY - FINISH 2390. CUSTMER BEIGE, 5% OPENNESS.	
WT-2	CUSTOM FIBER WOOD VALANCE	1\"/>	FURNISHED & INSTALLED BY G.C.
WT-3	NOT USED		

**INTERIOR PAINT SPECIFICATIONS:**  
 UNLESS OTHERWISE NOTED, BENJAMIN MOORE PAINT SHALL BE USED ON ALL WALL SURFACES THAT ARE CURRENTLY PAINTED. CALL 1-800-236-6667 FOR LOCAL BEN MOORE DISTRIBUTOR INFORMATION. PAINT ORDER LINE: 877-693-8484. CONTACT NAME: AURA HODGES AT 4084 944-1111. E-MAIL: ahdges@benjaminmoore.com. CONTRACTOR SHOULD MENTION THAT PRODUCTS ARE BEING PURCHASED TO PAINT AN OLIVE GARDEN RESTAURANT IN CROSS TO RECEIVE A NATIONAL DISCOUNT.  
 FOR ALL GLAZED FINISH WALLS: PRIME ALL SURFACES WITH 1 COAT AURA MATE PAINT PRIOR TO APPLYING 2 COATS OF AURA PAINT PRODUCTS.  
 FOR ALL OTHER WALLS, APPLY 2 COATS OF AURA PAINT PRODUCTS.  
 PLASTIC CORNER GUARDS & OTHER SIMILAR SURFACES - PRIME WITH XIM PRODUCTS FLASH BOND PRIMER #400.

**Johnson City PA**  
**White Arts**  
 ARCHITECTURE  
 1000 N. ROAN STREET, SUITE 100  
 JOHNSON CITY, TN 37601  
 PH: 615.926.1111  
 WWW.JOHNSONCITYPA.COM

PROJECT #:  
**17-0357**

**Olive Garden**  
 ITALIAN RESTAURANT

Issue Date: **05-03-2018**

REVISION INFORMATION

1	
2	
3	
4	
5	
6	
7	
8	

Restaurant #: **1289**

**P1B (MEDIUM)**  
**1903 N ROAN STREET**  
**JOHNSON CITY, TN**

Drawing  
**DETAILS/ FINISH SCHEDULE**  
**A8.1**

Order Plans @

WWW.LDMLINE.COM