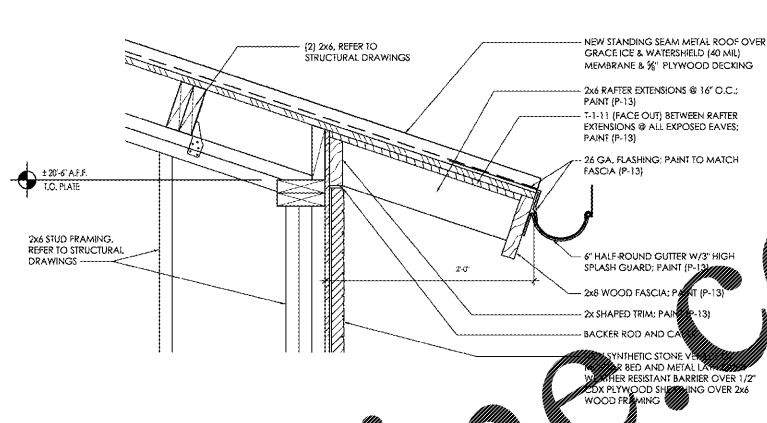
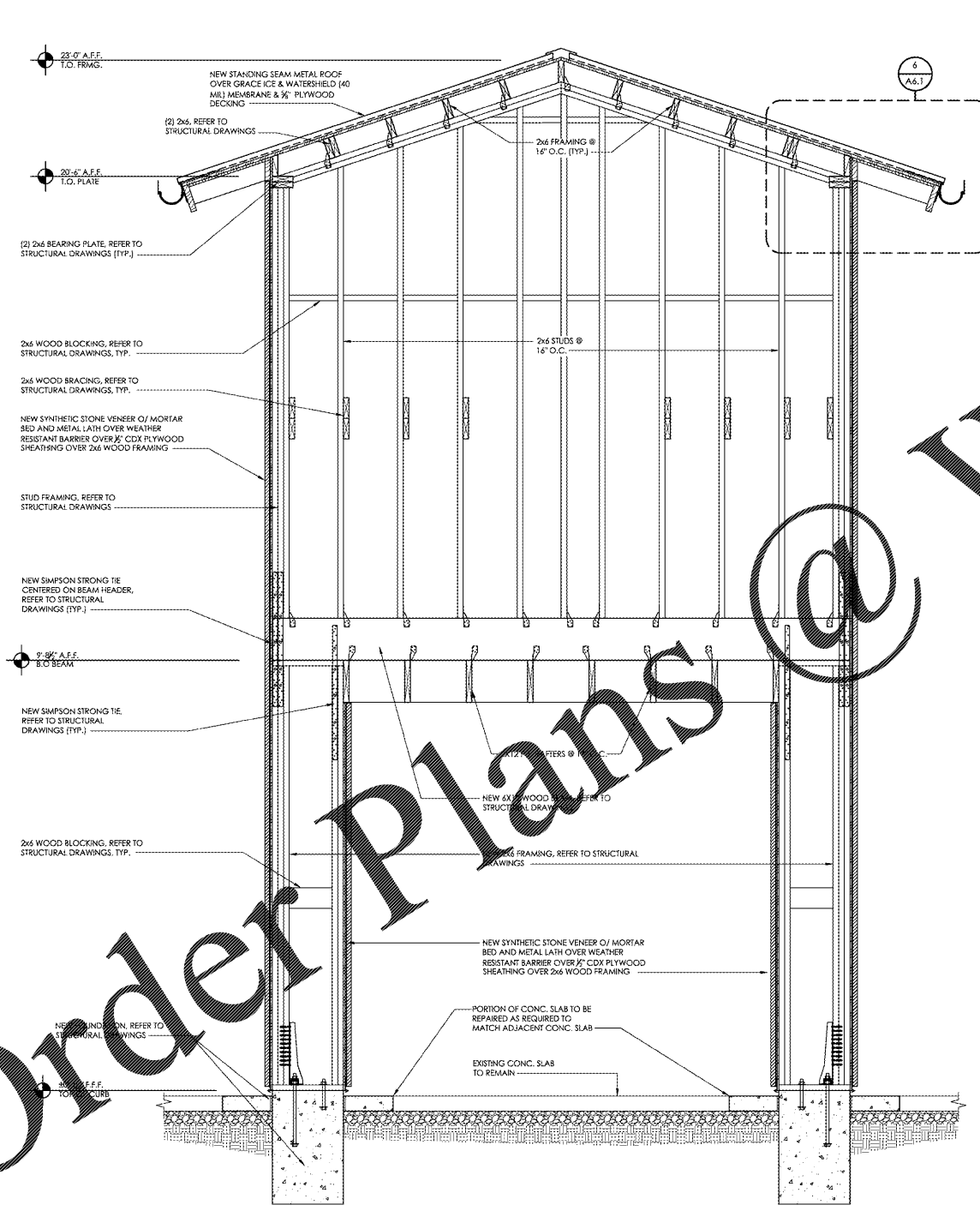


3 FLASHING DETAIL 3'

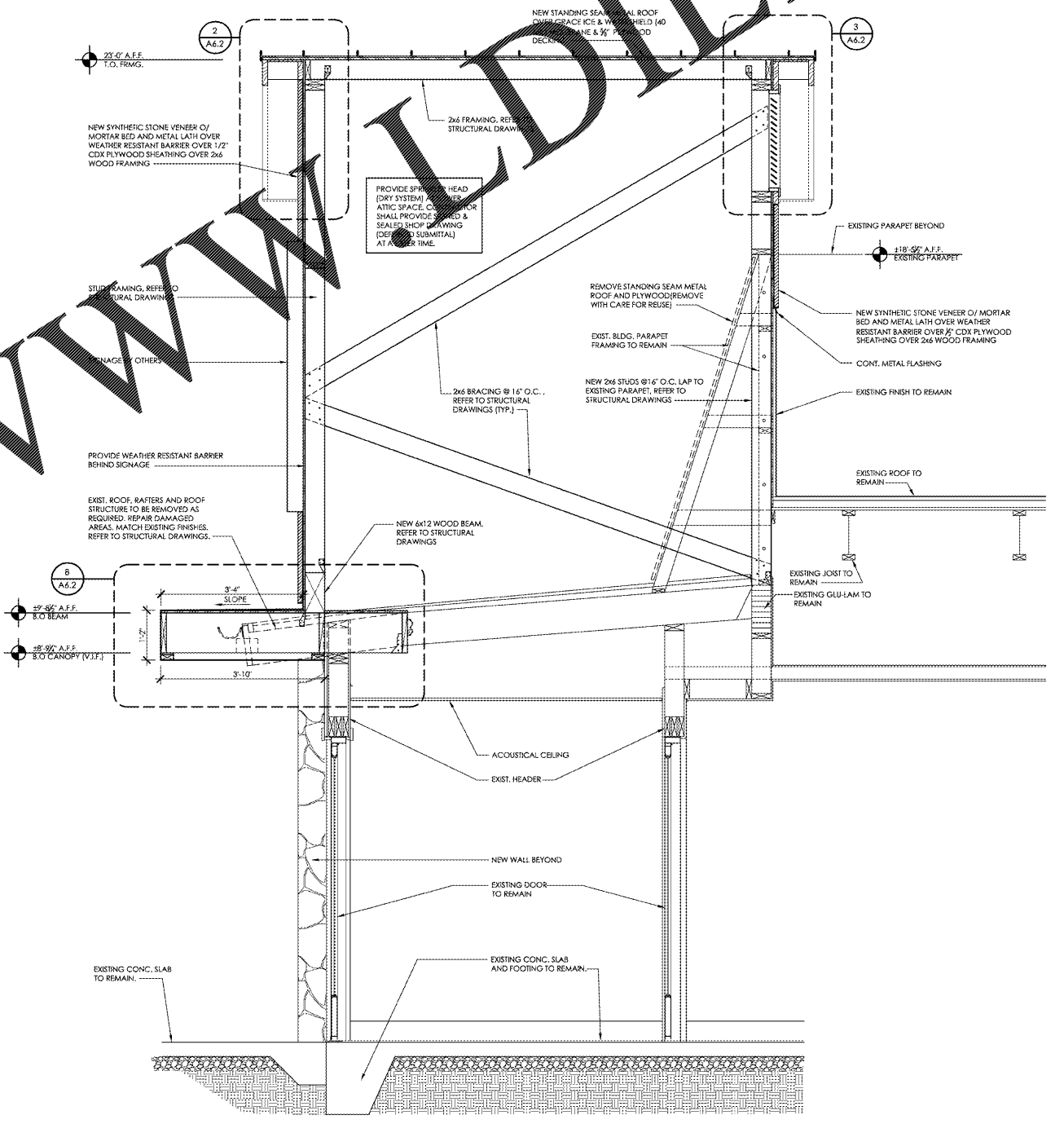
4 NOT USED 3'



6 EAVE DETAIL 1 1/2'



1 CROSS SECTION AT TOWER 4'-0"

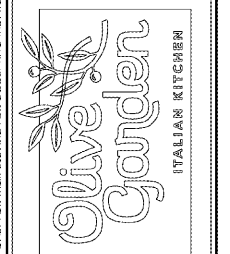


2 SECTION AT TOWER 4'-0"

Order Plans @

WWW.LDLINE.COM

LIND GROUP PA
 Architects
 ARCHITECTS PROJECT #: 17-0357



Issue Date: 05-03-2018

REVISION INFORMATION	
1	
2	
3	
4	
5	
6	
7	
8	

Restaurant #: 1289

P1B
 (MEDIUM)
 1903 N ROAN STREET
 JOHNSON CITY, TN

Drawing
 TOWER
 SECTIONS AND
 DETAILS

A6.1

THESE DRAWINGS AND SPECIFICATIONS REMAIN THE PROPERTY OF THE DESIGN PROFESSIONAL. AUTHORIZED COPIES OF THESE DRAWINGS AND SPECIFICATIONS MAY BE UTILIZED ONLY FOR THE USE AND FOR OCCUPANCY OF THE PROJECT FOR WHICH THEY WERE PREPARED, AND NOT FOR THE CONSTRUCTION OF ANY OTHER PROJECT.