

Issue Date: 05-03-2018

REVISION INFORMATION	
1	
2	
3	
4	
5	
6	
7	
8	

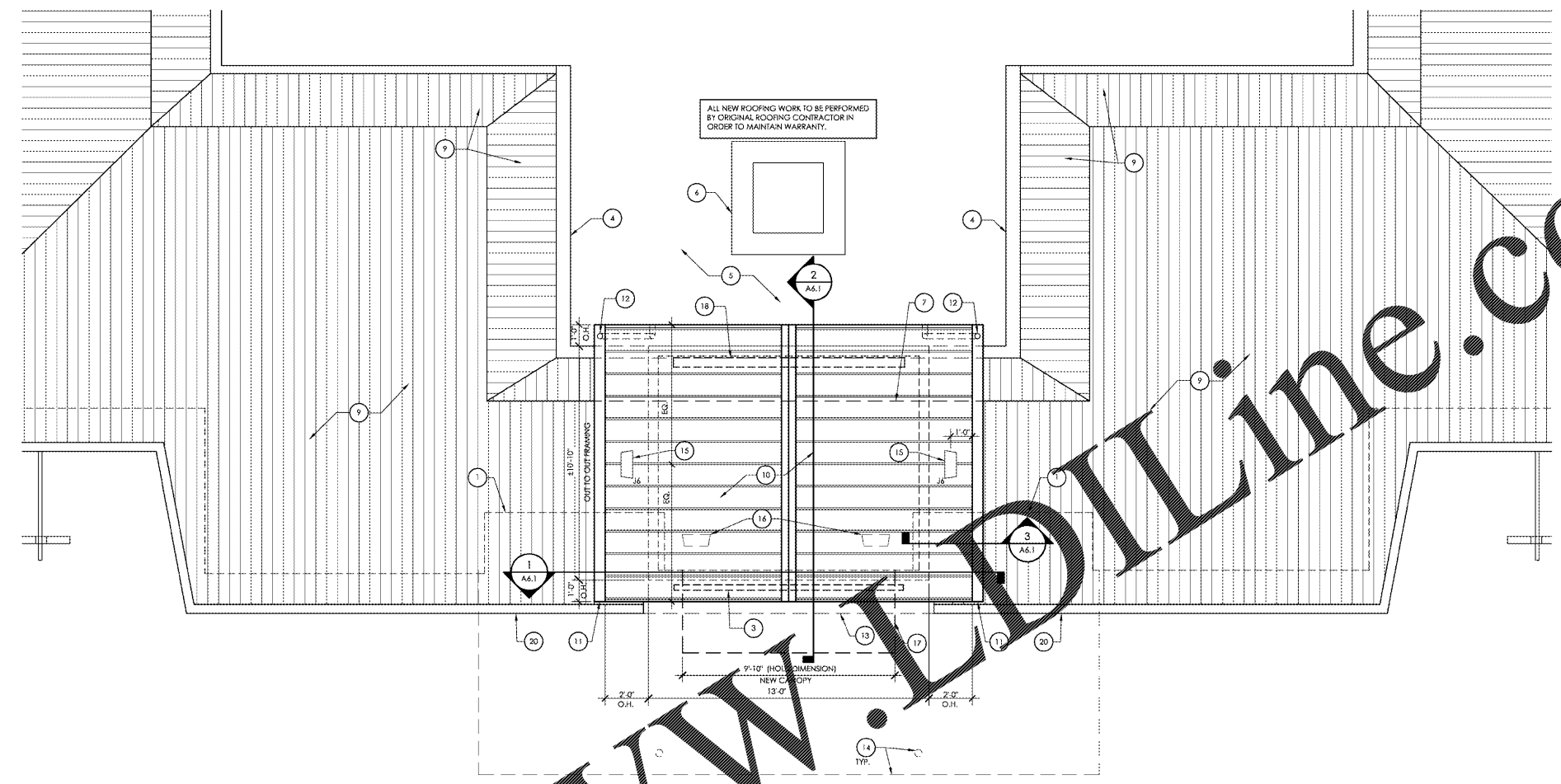
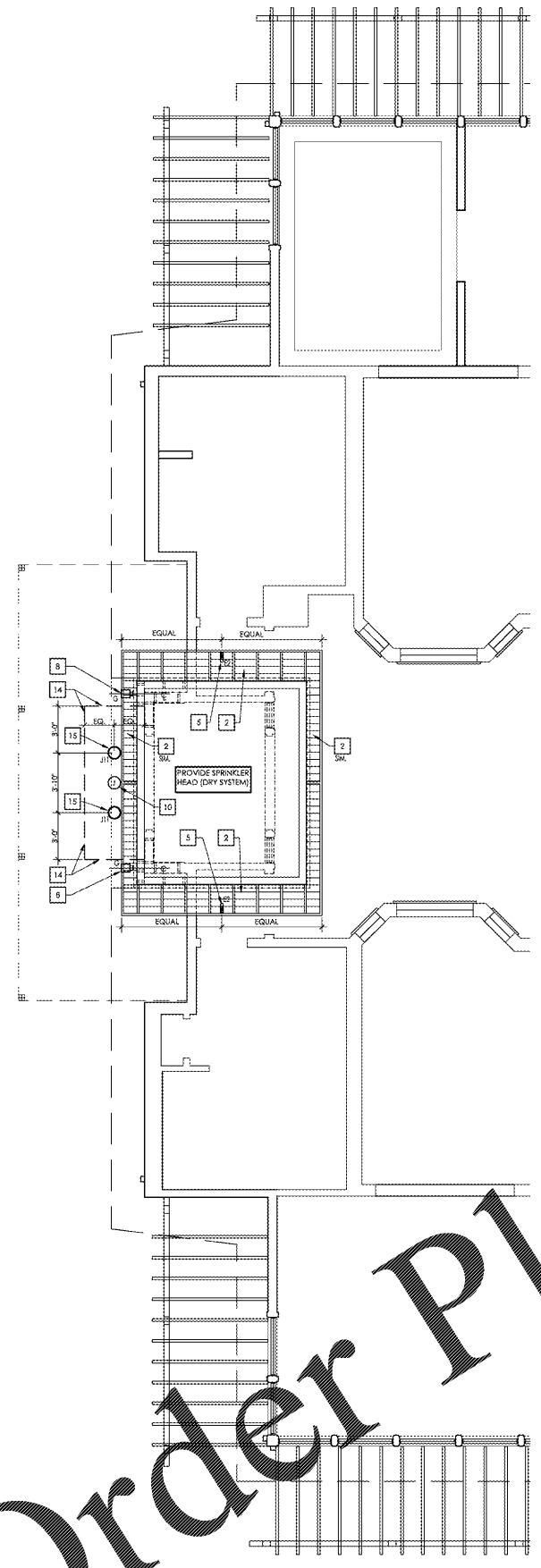
Restaurant #: 1289

P1B (MEDIUM)
 1903 N ROAN STREET

JOHNSON CITY, TN

Drawing
EXTERIOR CEILING & ROOF PLAN

A3.2



ENLARGED ROOF PLAN

3/8"

ENLARGED ROOF PLAN NOTES

- LINE OF EXIST. BUILDING (BELOW).
- NOT USED.
- BUILDING SIGNAGE FURNISHED AND INSTALLED BY OTHERS. G.C. TO PROVIDE ALL REQUIRED BLOCKING AND FRAMING TO HANG SIGNAGE PER MANUF. RECOMMENDATIONS.
- EXIST. PARAPET TO REMAIN.
- EXISTING ROOF TO REMAIN.
- EXISTING SKYLIGHT TO REMAIN.
- PORTION OF EXISTING METAL ROOF TO BE REMOVED AS REQUIRED.
- NOT USED.
- EXISTING SLOPED METAL ROOF TO REMAIN.
- NEW STANDING SEAM METAL ROOF. REFER TO SPECIFICATIONS AT SHEET A3.3.
- 3" HALF ROUND METAL GUTTER, PAINTED CLINTON BROWN (P-13). REFER TO WALL SECTIONS.
- 3" ROUND METAL DOWNSPOUT, PAINTED CLINTON BROWN (P-13). RUN DOWN AT FACE OF PARAPET WALL AND EMPTY ONTO ROOF. REFER TO WALL SECTIONS.
- REMOVE PORTION OF OVERHANG AS REQUIRED. REPAIR DAMAGED AREAS. COORDINATE WITH OWNER.
- EXISTING AWNING TO BE REMOVED. REPAIR DAMAGED AREAS, MATCH EXISTING FINISHES.
- NEW ROOF LIGHT FIXTURE. PROVIDE AN ELECTRICAL CONNECTION. REFER TO DETAIL A4.2.
- EXIST. ROOF LIGHT TO BE REMOVED AS REQUIRED.
- NEW CANOPY. REFER TO B4 A6.2.
- EXISTING SIGN TO BE REMOVED AS REQUIRED.
- NOT USED.
- EXISTING GUTTER & DOWNSPOUT. PAINT (P-13).

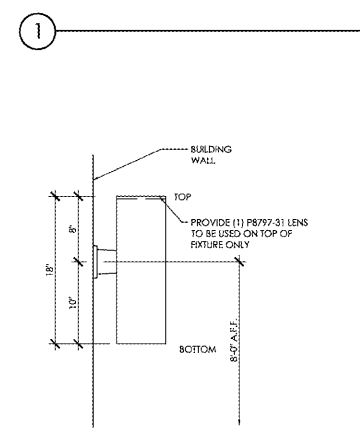
LIGHTING FIXTURE SCHEDULE

SYM	MANUFACTURER #	LAMP TYPE	REMARKS
12	ECOSERVE 07AC-27-120-22-8K LFI 5x15 LENS	LAMP INCLUDED (5.25 WATTS)	EAVE MOUNTED. BLACK FINISH ANGLED TO WASH SIDE OF TOWER. PROVIDE 10x60 SPREAD LENS FILM - PACKAGED SEPARATELY. TO BE INSTALLED BY G.C.
10	PROGRESS LIGHTING P5444-20	PHILIPS ENDOVULSED PADED DIMMABLE FLOOD LED LAMP 25 DISCRETE BEAM SPREAD, 2700 KELVIN LAMP ORDER CODE: (2)8PAR30/END/252070/GDM	MUST INCLUDE (1) P8797-31 LENS. ONLY USE ON TOP OF FIXTURE
14	ECOSERVE WSH-M-27-120-KC-BK-11 WSH-M-150-10x60	LAMP INCLUDED (40.92 WATTS)	FIXTURE SHALL BE PAINTED TO MATCH ROOF. PROVIDE 10x60 SPREAD LENS FILM - PACKAGED SEPARATELY. TO BE INSTALLED BY G.C.
11	CLARITE LIGHTING RRL-392D-1-6LED-LPAR16FL-MAJBLE-SB-16C-27K (EMERGENCY LIGHTING CAPABILITY)	LAMP INCLUDED (1.4 WATTS)	FIXTURE TO BE MOUNTED TO TOWER CANOPY RATED FOR DAMP LOCATIONS

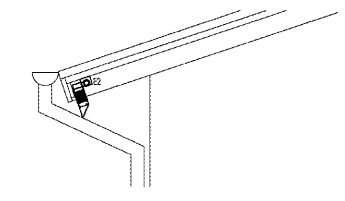
REFL. CLG. PLAN KEY NOTES

1	NOT USED.	7	NOT USED.	13	NOT USED.
2	2x RAFTERS AND TEXTURE (1-1) PLYWOOD WITH GROOVES AT 4" O.C. GROOVES SHALL RUN PERPENDICULAR TO THE RAFTERS. PAINT.	8	NEW WALL LIGHTS TIED INTO EXISTING EXTERIOR LIGHTING CIRCUIT (125 VOLT OR MATCH EXISTING P LANCES). MOUNT AT 8'-0" A.F.F. PROVIDE (1) P8797-31 LENS TO BE USED ON TOP OF FIXTURE ONLY. REFER TO LIGHTING FIXTURE SCHEDULE AND DETAIL A4.2.	14	OUTLINE OF NEW ENTRY CANOPY BELOW.
3	NOT USED.	9	NOT USED.	15	PROVIDE NEW LIGHT FIXTURE AT ENTRY CANOPY BELOW. REFER TO LIGHTING FIXTURE SCHEDULE.
4	NOT USED.	10	NEW SIGN CONNECTION. CONNECT TO EXISTING CIRCUIT. EXISTING CONDUIT AND WIRING FROM SIGN BEING REMOVED.		
5	NEW EAVE MOUNTED MONOPOINT LIGHT ANGLED TO WASH SIDE OF TOWER. PROVIDE NEW J-BOX AND POSITION SO THAT FIXTURE WILL FIT AGAINST BACK OF FACIA AS SHOWN. REFER TO LIGHTING FIXTURE SCHEDULE AND DETAIL A4.2.	11	NOT USED.		
6	NOT USED.	12	NOT USED.		

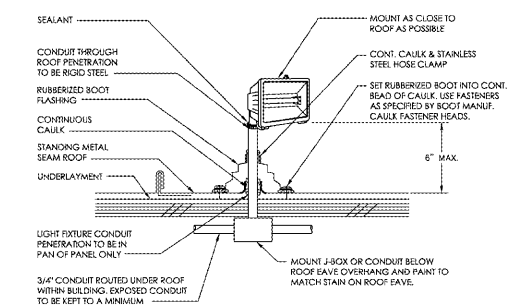
NOT USED



1 LIGHT FIXTURE DETAIL N.T.S.



2 LIGHT MOUNTING DETAIL N.T.S.



4 NEW ROOF LIGHT N.T.S.

Order Plans @ WWW.ONLINE.COM

EXTERIOR REFLECTIVE CEILING PLAN 3/16"

THESE DRAWINGS REMAIN THE PROPERTY OF THE DESIGN PROFESSIONAL. AUTHORIZED COPIES OF THESE DRAWINGS AND SPECIFICATIONS RETAINED BY THE CLIENT MAY BE UTILIZED ONLY FOR THEIR USE AND FOR OCCUPANCY OF THE PROJECT FOR WHICH THEY WERE PREPARED, AND NOT FOR THE CONSTRUCTION OF ANY OTHER PROJECTS. UNAUTHORIZED REPRODUCTION OF THESE DRAWINGS IS STRICTLY PROHIBITED.