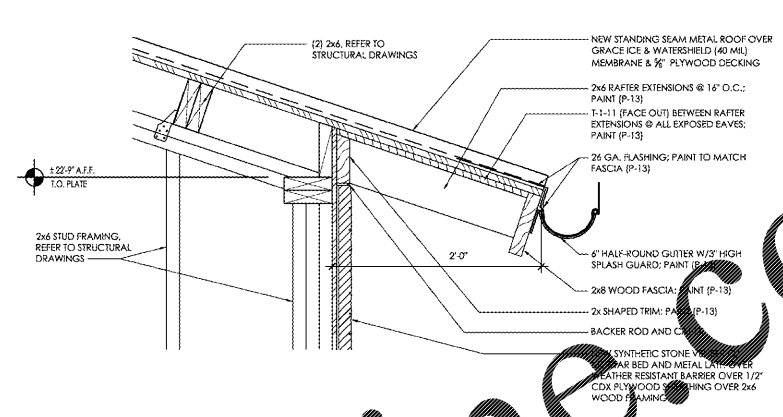
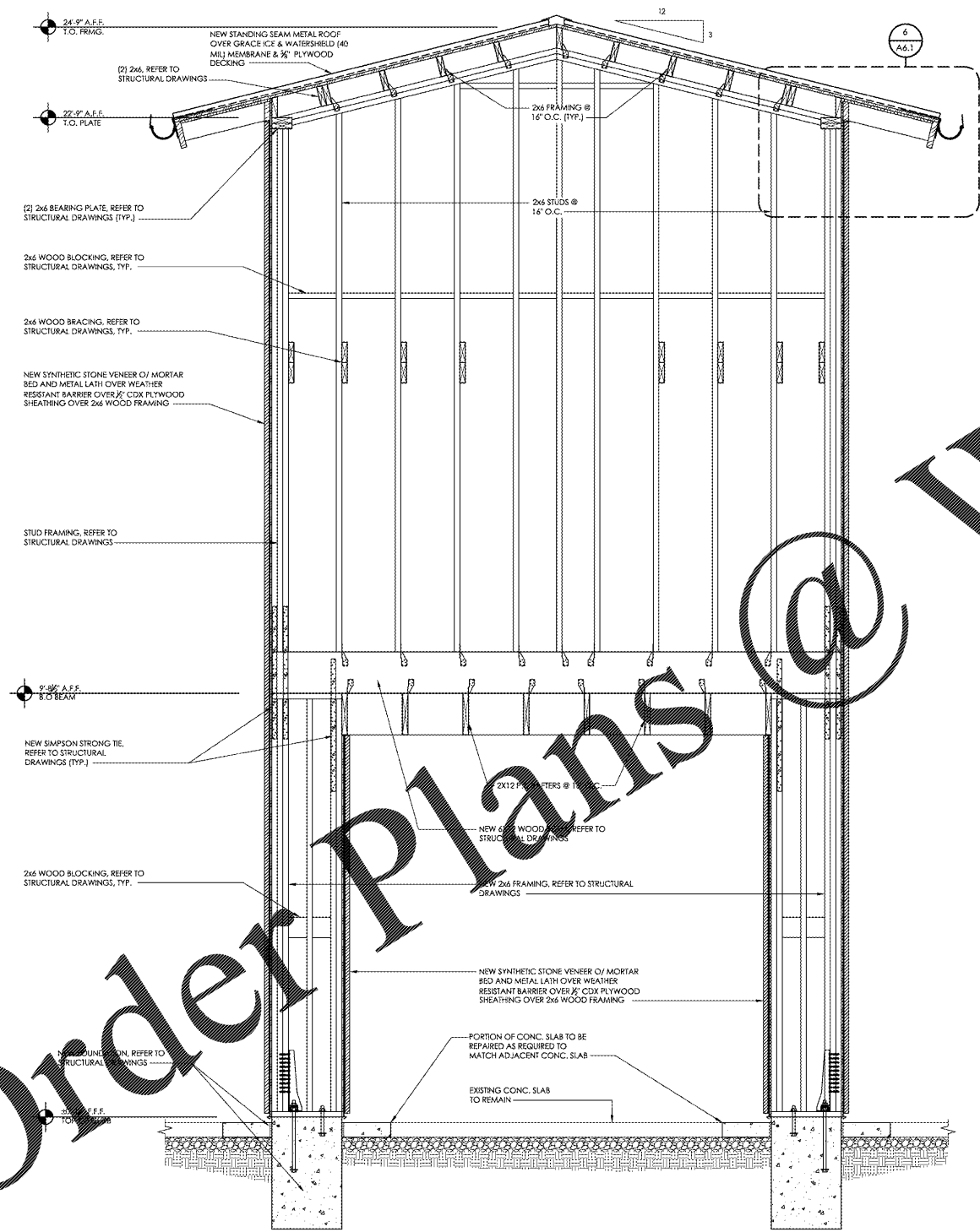


3 FLASHING DETAIL 3"

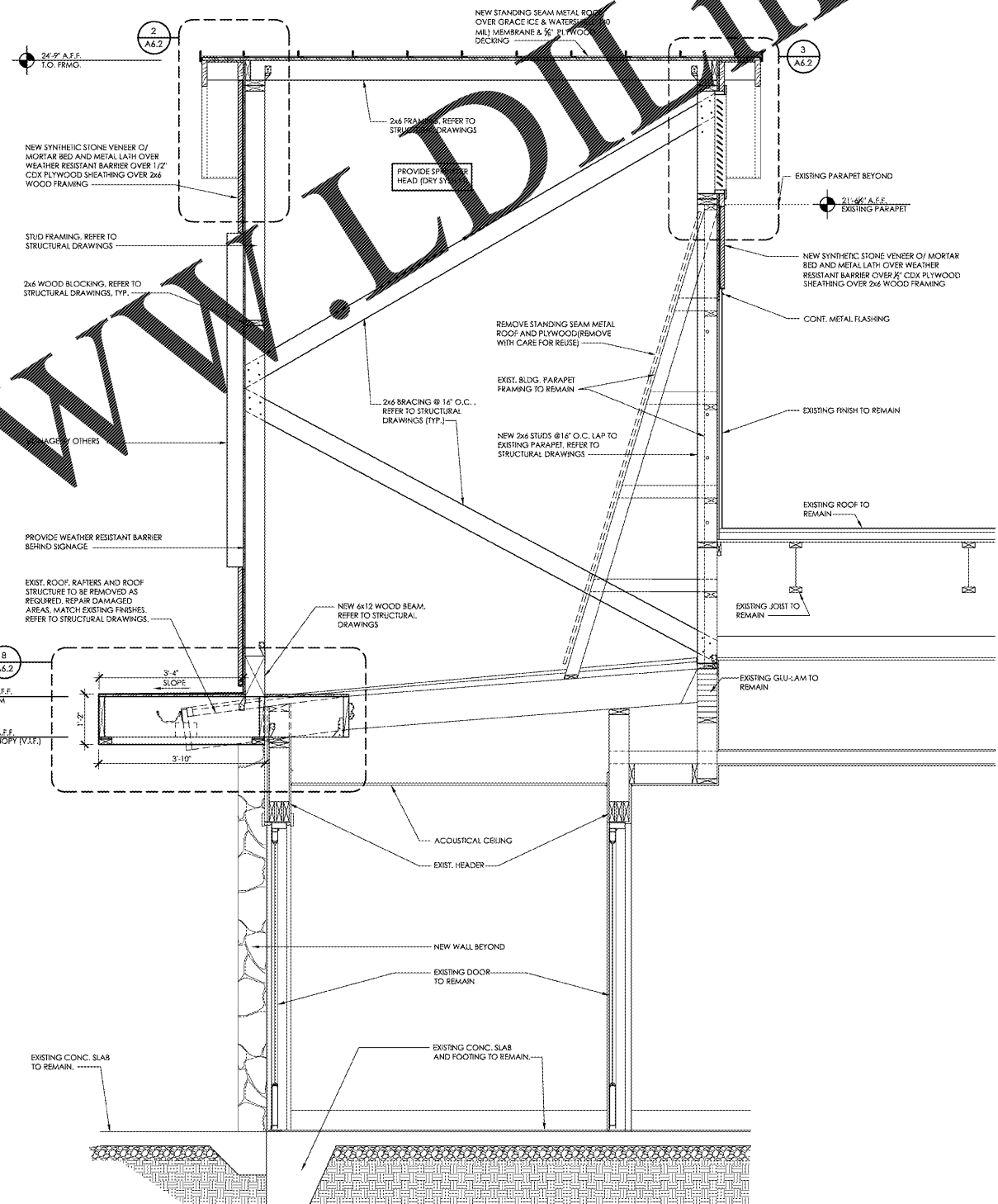
4 NOT USED



6 EAVE DETAIL 1 1/2"



1 CROSS SECTION AT TOWER



2 SECTION AT TOWER

Order Plans @

WWW.LDOnline.COM

THESE DRAWINGS AND SPECIFICATIONS REMAIN THE PROPERTY OF THE DESIGN PROFESSIONAL. AUTHORIZED COPIES OF THESE DRAWINGS AND SPECIFICATIONS MAY BE UTILIZED ONLY FOR THE USE AND FOR OCCUPYING THE PROJECT FOR WHICH THEY WERE PREPARED, AND NOT FOR THE CONSTRUCTION OF ANY OTHER PROJECT. ANY OTHER PROJECTS AUTHORIZED BY THESE DRAWINGS IS STRICTLY PROHIBITED.

LD Group PA Architects
1000 W. MAIN ST. SUITE 200
 CLARKSVILLE, TN 37040
 (615) 241-1111
 www.ldgroup.com

ARCHITECTS PROJECT #: 17-0363

Olive Garden

ESTABLISHED 1978

Issue Date: 04-19-2018	
REVISION INFORMATION	
1	
2	
3	
4	
5	
6	
7	
8	
Restaurant #: 1343	
P1B (MEDIUM)	
2782 WILMA RUDOLPH BLVD.	
CLARKSVILLE, TN	
Drawing	
TOWER SECTIONS AND DETAILS	
A6.1	