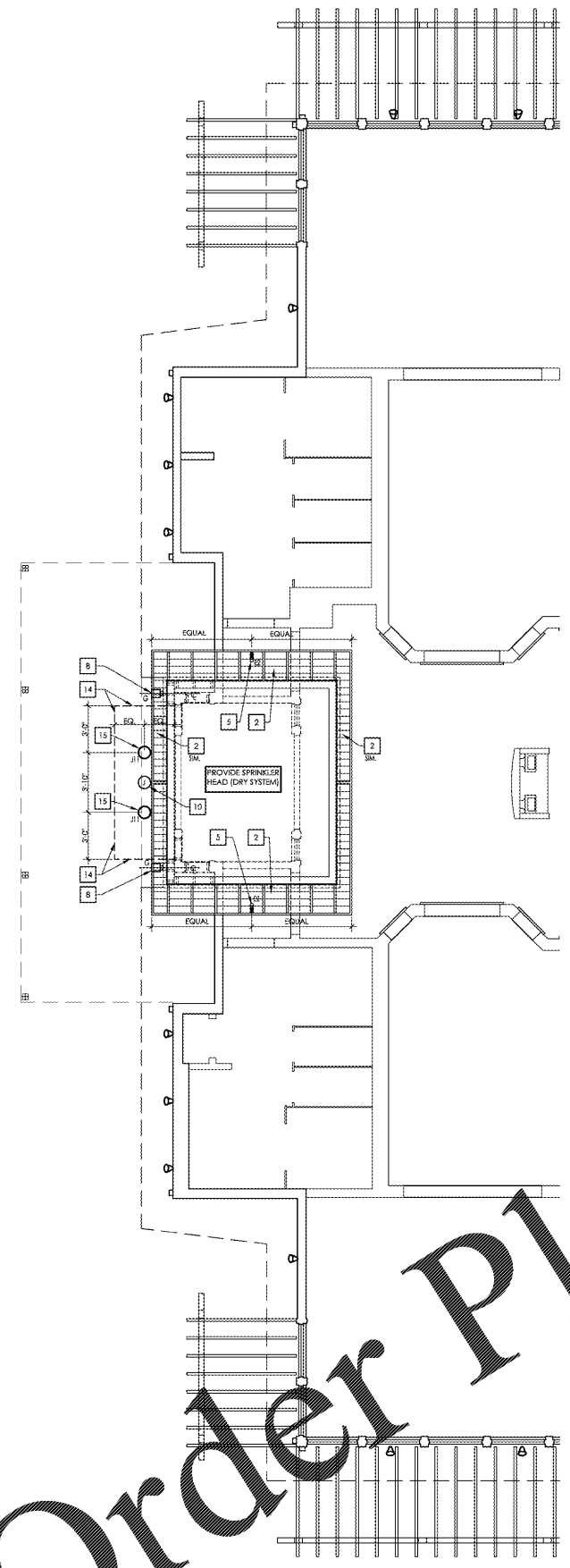
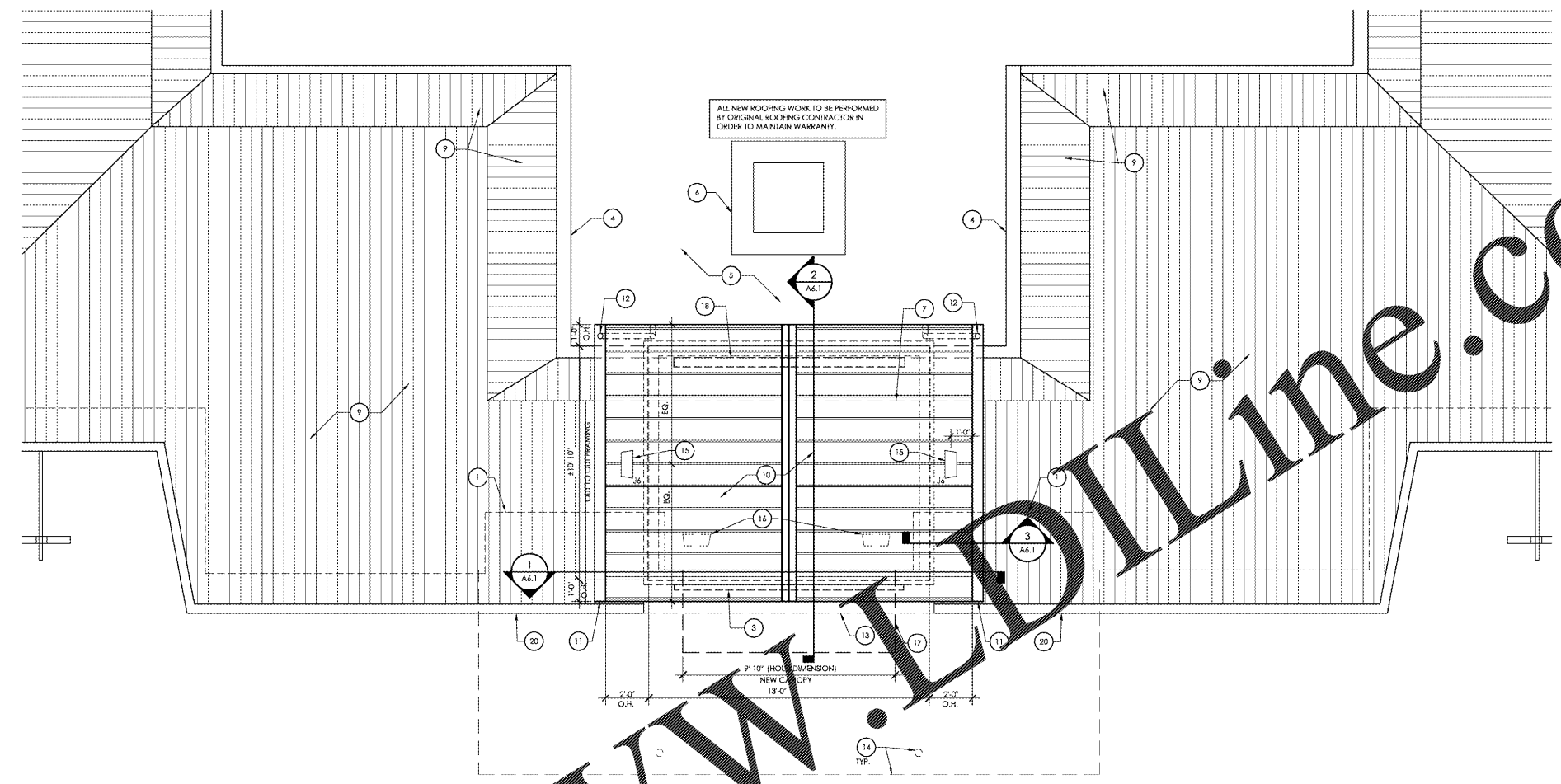


Order Plans @ WWW.ONLINE.COM



EXTERIOR REFLECTIVE CEILING PLAN 3/16"

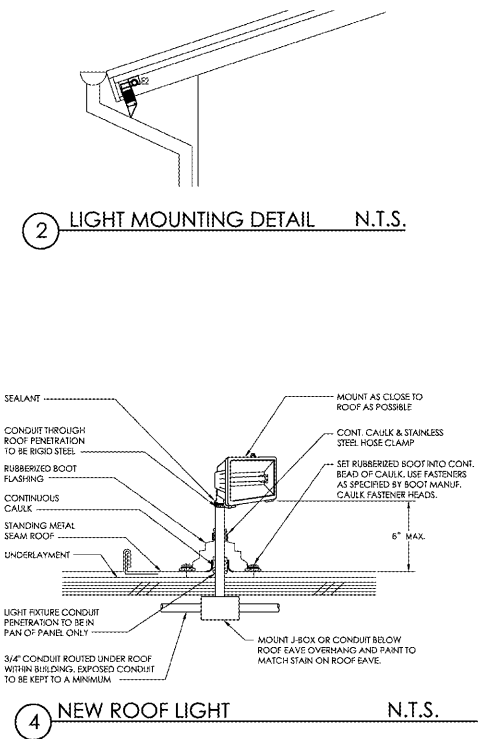
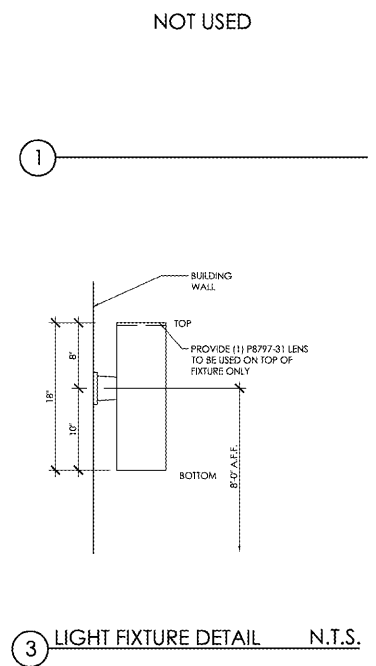


ENLARGED ROOF PLAN 3/8"

LIGHTING FIXTURE SCHEDULE 09-2-2017			
TYPE	MANUFACTURER #	LAMP TYPE	REMARKS
12	ECCOENSE D7AC-27-120-22-8K L16625 LENS	LAMP INCLUDED (5.25 WATTS)	EAVE MOUNTED, BLACK FINISH ANGLED TO WASH SIDE OF TOWER. PROVIDE 10660 SPREAD LENS FLM - PACKAGED SEPARATELY. TO BE INSTALLED BY G.C.
15	PROGRESS LIGHTING P5444-20	PHILIPS ENDURANCE PACKED DIMMABLE FROGOD LED LAMP 25 DEGREE BEAM SPREAD, 2700 KELVIN LAMP ORDER CODE: (2)P5444-20/010M	MUST INCLUDE (1) P8797-31 LENS. ONLY USE ON TOP OF FIXTURE
16	ECCOENSE W5H-M-27-120-4C-BK-11 W5H-M-LD-10660	LAMP INCLUDED (40.92 WATTS)	FIXTURE SHALL BE PAINTED TO MATCH ROOF. PROVIDE 10660 SPREAD LENS FLM - PACKAGED SEPARATELY. TO BE INSTALLED BY G.C.
21	CLARIS LIGHTING RR3-3928-146LED-LPARI6FL-MA/BUK- SB-NIC-23K (EMERGENCY LIGHTING CAPABILITY)	LAMP INCLUDED (14 WATTS)	FIXTURE TO BE MOUNTED TO TOWER CANOPY RATED FOR DAMP LOCATIONS

REFL. CLG. PLAN KEY NOTES			
1	NOT USED.	13	NOT USED.
2	2x RAFTERS AND TEXTURE 1/2" PLYWOOD WITH GROOVES AT 4' O.C. GROOVES SHALL RUN PERPENDICULAR TO THE RAFTERS. PAINT. (R)	14	OUTLINE OF NEW ENTRY CANOPY BELOW.
3	NOT USED.	15	PROVIDE NEW LIGHT FIXTURE AT ENTRY CANOPY BELOW. REFER TO LIGHTING FIXTURE SCHEDULE AND DETAIL 31 A3.2.
4	NOT USED.	16	NEW SIGN CONNECTION. CONNECT TO EXISTING CIRCUIT. EXTEND CONDUIT AND WIRING FROM SIGN BEING REMOVED.
5	NEW EAVE MOUNTED MONOPoint LIGHT ANGLED TO WASH SIDE OF TOWER. PROVIDE NEW JACK AND POSITION SO THAT FIXTURE WILL FIT AGAINST BACK OF FACIA AS SHOWN. REFER TO LIGHTING FIXTURE SCHEDULE AND DETAIL 27 A3.2.	17	NOT USED.
6	NOT USED.	18	NOT USED.
7	NOT USED.	19	NOT USED.
8	NOT USED.	20	EXISTING GUTTER & DOWNSPOUT. PAINT (P-13).

- ENLARGED ROOF PLAN NOTES
- LINE OF EXIST. BUILDING (BELOW).
 - NOT USED.
 - BUILDING SIGNAGE FURNISHED AND INSTALLED BY OTHERS. G.C. TO PROVIDE ALL REQUIRED BLOCKING AND FRAMING TO HANG SIGNAGE PER MANUF. RECOMMENDATIONS.
 - EXIST. PARAPET TO REMAIN.
 - EXISTING ROOF TO REMAIN.
 - EXISTING SKYLIGHT TO REMAIN.
 - PORTION OF EXISTING METAL ROOF TO BE REMOVED AS REQUIRED.
 - NOT USED.
 - EXISTING SLOPED METAL ROOF TO REMAIN.
 - NEW STANDING SEAM METAL ROOF. REFER TO SPECIFICATIONS AT SHEET A6.3.
 - 3" HALF ROUND METAL GUTTER, PAINTED CLINTON BROWN (P-13). REFER TO WALL SECTIONS.
 - 3" ROUND METAL DOWNSPOUT, PAINTED CLINTON BROWN (P-13). RUN DOWN AT FACE OF PARAPET WALL AND EMPTY ONTO ROOF. REFER TO WALL SECTIONS.
 - REMOVE PORTION OF OVERHANG AS REQUIRED. REPAIR DAMAGED AREAS. COORDINATE WITH OWNER.
 - EXISTING AWNING TO BE REMOVED. REPAIR DAMAGED AREAS, MATCH EXISTING FINISH.
 - NEW ROOF LIGHT FIXTURE. PROVIDE AN ELECTRICAL CONNECTION. REFER TO DETAIL 31 A3.2.
 - EXIST. ROOF LIGHT TO BE REMOVED AS REQUIRED.
 - NEW CANOPY. REFER TO B1 A6.2.
 - EXISTING SIGN TO BE REMOVED AS REQUIRED.
 - NOT USED.
 - EXISTING GUTTER & DOWNSPOUT. PAINT (P-13).



Architects
 ARCHITECTURE
 CONSULTANTS
 PROJECT #:
 17-0363

ITALIAN RESTAURANT

Issue Date: 04-19-2018
 REVISION INFORMATION
 1
 2
 3
 4
 5
 6
 7
 8
 Restaurant #: 1343
 P1B (MEDIUM)
 2782 WILMA RUDOLPH BLVD.
 CLARKSVILLE, TN
 Drawing
 EXTERIOR CEILING & ROOF PLAN
 A3.2

THESE DRAWINGS REMAIN THE PROPERTY OF THE DESIGN PROFESSIONAL. AUTHORIZED COPIES OF THESE DRAWINGS AND SPECIFICATIONS RETAINED BY THE CLIENT MAY BE UTILIZED ONLY FOR THEIR USE AND FOR OCCUPYING THE PROJECT FOR WHICH THEY WERE PREPARED, AND NOT FOR THE CONSTRUCTION OF ANY OTHER PROJECTS. UNAUTHORIZED REPRODUCTION OR USE OF THESE DRAWINGS IS STRICTLY PROHIBITED.