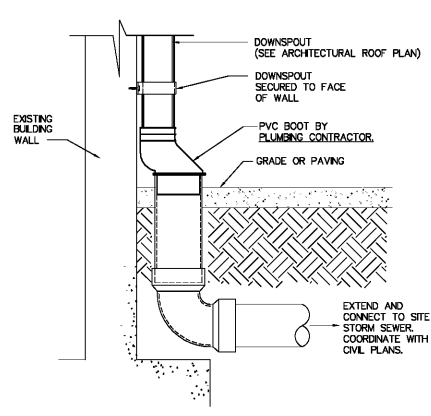
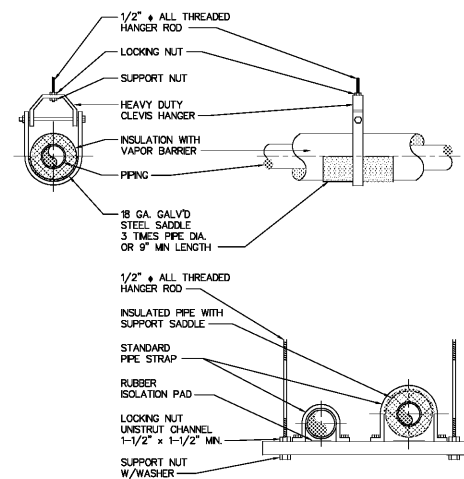


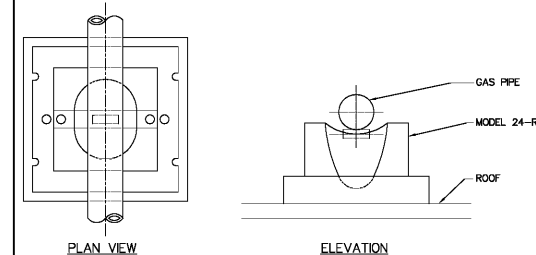
FLOOR CLEANOUT DETAIL
SCALE: NONE



DOWNSPOUT BOOT DETAIL
SCALE: NONE

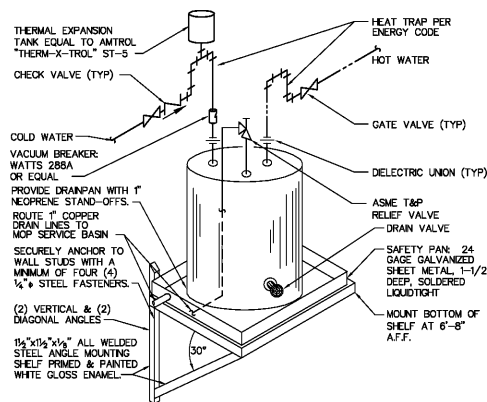


PIPE HANGER DETAIL
SCALE: NONE

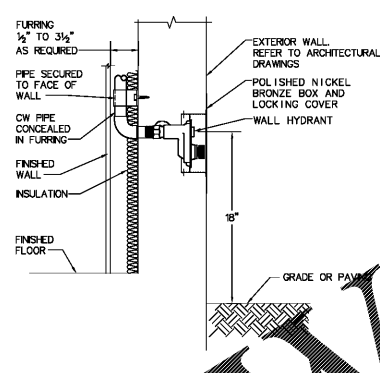


DETAIL OF GAS PIPING ON ROOF
SCALE: NONE

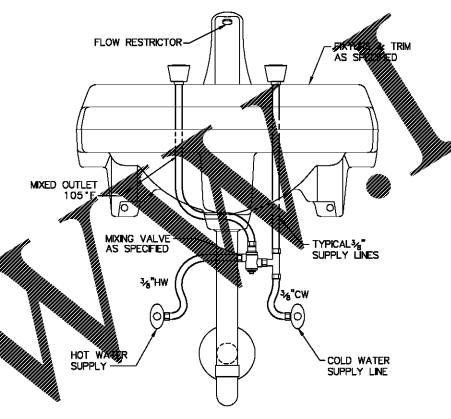
INSTALLATION SHALL PER MANUFACTURER RECOMMENDATIONS
MANUFACTURER: MRO INDUSTRIES
MIDVALE, UTAH 84047
(801) 566-3680



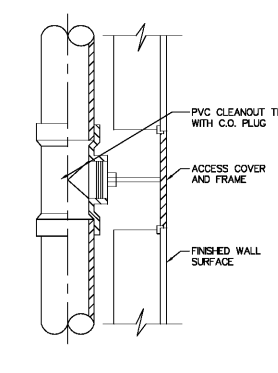
WATER HEATER DETAIL
SCALE: NONE



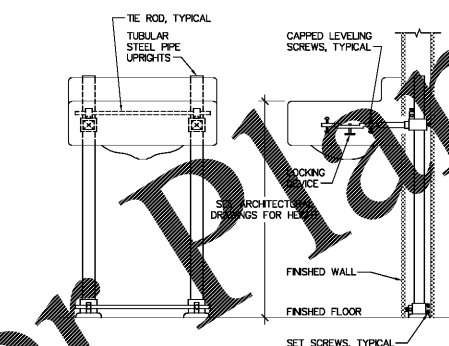
WALL HYDRANT DETAIL
SCALE: NONE



THERMOSTATIC MIXING VALVE (POINT OF USE AT/BELOW FIXTURE) DETAIL
SCALE: NONE

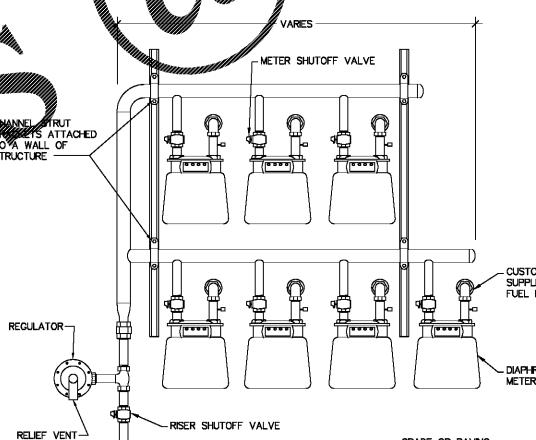


WALL CLEANOUT DETAIL
SCALE: NONE



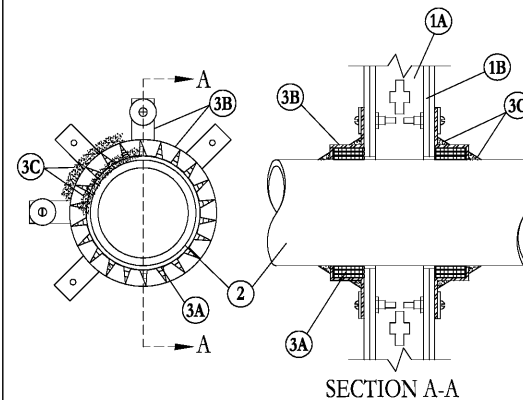
LAVATORY CARRIER DETAIL
SCALE: NONE

NOTE: WHEN A BACK-TO-BACK LAVATORY IS INSTALLED, PROVIDE A WALL CARRIER EQUAL TO JAY R. SMITH #0700-451.



GAS METER MULTIPLE TENANTS DETAIL
SCALE: NONE

SYSTEM NO. W-L-2002
(FORMERLY SYSTEM NO. 148)
F RATINGS - 1, 1-1/2 AND 2 HR (SEE ITEM 3)
T RATINGS - 3/4, 1, 1-1/2 AND 2 HR (SEE ITEM 3)
L RATING AT AMBIENT - 7 CFM/SQ FT (SEE ITEM C)
L RATING AT 400 F - 1 CFM/SQ FT (SEE ITEM 3C)



* NOTE
THIS MATERIAL WAS EXTRACTED BY 3M FIRE PROTECTION PRODUCTS FROM THE 2002 EDITION OF THE UL FIRE RESISTANCE DIRECTORY

- WALL ASSEMBLY - THE 1 OR 2 HR FIRE-RATED GYPSUM WALLBOARD/STUD WALL ASSEMBLY SHALL BE CONSTRUCTED OF THE MATERIALS AND IN THE MANNER DESCRIBED IN THE INDIVIDUAL USDO OR U400 SERIES WALL OR PARTITION DESIGN IN THE UL FIRE RESISTANCE DIRECTORY AND SHALL INCLUDE THE FOLLOWING CONSTRUCTION FEATURES:
 - STUDS - WALL FRAMING MAY CONSIST OF EITHER WOOD STUDS OR STEEL CHANNEL STUDS. WOOD STUDS TO CONSIST OF NOM 2 BY 4 IN LUMBER SPACED 16 IN OC WITH NOM 2 BY 4 IN LUMBER END PLATES AND CROSS BRACES. STEEL STUDS TO BE MN 3-5/8 IN WIDE BY 1-3/8 IN DEEP CHANNELS SPACED MAX. 24 IN OC.
 - GYPSUM BOARD - 5/8 IN THICK, 4 FT WIDE WITH SQUARE OR TAPERED EDGES. THE GYPSUM WALLBOARD TYPE, THICKNESS, NUMBER OF LAYERS, FASTENER TYPE AND SHEET ORIENTATION SHALL BE AS SPECIFIED IN THE INDIVIDUAL USDO OR U400 SERIES DESIGN IN THE UL FIRE RESISTANCE DIRECTORY. MAX. DIAM OF OPENING IS 7 IN.
 - NONMETALLIC PIPE OR CONDUIT - ONE NONMETALLIC PIPE OR CONDUIT IS CENTERED WITHIN THE FIRESTOP SYSTEM. PIPE OR CONDUIT TO BE INSTALLED NEAR CENTER OF STUD CAVITY WIDTH AND TO BE PROX. SUPPORTED ON BOTH SIDES OF WALL. THE FOLLOWING TYPES AND SIZES OF NONMETALLIC PIPES OR CONDUIT MAY BE USED:
 - NOM 6 IN DIAM (OR SMALLER) SCHEDULE 40 SOLID-CORE POLYVINYL CHLORIDE (PVC) PIPE.
 - NOM 4 IN DIAM (OR SMALLER) SCHEDULE 40 CELLULAR CORE POLYVINYL CHLORIDE (PVC) PIPE.
 - NOM 4 IN DIAM (OR SMALLER) SCHEDULE 40 SOLID-CORE ACRYLONITRILE-BUTADIENE-STYRENE (ABS) PIPE.
 - NOM 4 IN DIAM (OR SMALLER) SCHEDULE 40 FIRE RETARDANT POLYPROPYLENE (FRPP) PIPE.
 - NOM 4 IN DIAM (OR SMALLER) RIGID NONMETALLIC CONDUIT FORMED OF PVC.
 - NOM 6 IN DIAM (OR SMALLER) SCHEDULE 40 CHLORINATED POLYVINYL CHLORIDE (CPVC) PIPE. SEE RIGID NONMETALLIC CONDUIT (RNC) AND ELECTRICAL NONMETALLIC TUBING (ENT) CATEGORIES IN UL ELECTRICAL CONSTRUCTION MATERIALS DIRECTORY FOR NAMES OF MANUFACTURERS.
 - FIRESTOP SYSTEM - INSTALLED SYMMETRICALLY ON BOTH SIDES OF WALL ASSEMBLY. THE HOURLY F AND T RATINGS FOR THE FIRESTOP SYSTEM ARE DEPENDENT UPON THE TYPE AND SIZE OF NONMETALLIC PIPE OR CONDUIT. THE FILING SYSTEM TYPE (CLOSED SYSTEMS SUCH AS PROCESS OR SUPPLY PIPING OR VENTED SYSTEMS SUCH AS DRAIN, WASTE OR VENT PIPING) AND THE HOURLY FIRE RATING OF THE WALL ASSEMBLY IN WHICH IT IS INSTALLED, AS SHOWN IN THE FOLLOWING TABLE.

| PIPE OR CONDUIT TYPE | NOM PIPE DIAM IN | ANNULAR SPACE IN | FFING SYSTEM (A) | WALL FIRE RATING HR | F RATING HR | T RATING HR |
|----------------------|------------------|------------------|------------------|---------------------|-------------|-------------|
| FRPP | 1/2 to 2 | 0- 3/8 | C | 2 | 1-1/2 | 1-1/2 |
| FRPP, PBI | 1/2 to 2 | 0- 3/8 | C | 2 | 2 | 2 |
| ABS | 1/2 to 4 | 0- 3/8 | C.V. | 1 | 1 | 3/4 |
| ABS | 1/2 to 4 | 0- 3/8 | C.V. | 2 | 1-1/2 | 1-1/2 |
| PVC | 1/2 to 4 | 0- 3/8 | C.V. | 1 | 1 | 1 |
| PVC | 1/2 to 4 | 0- 3/8 | C.V. | 2 | 2 | 2 |
| FRPP-4 | 1/2 to 4 | 0- 3/8 | C.V. | 2 | 1-1/2 | 1-1/2 |
| PVC-1 | 3, 6 | 0- 3/8 | C.V. | 2 | 1-1/2 | 1-1/2 |

*PIPE COVERING MATERIAL WRAP REQUIRED ON PIPE ON BOTH SIDES OF WALL. (A)C - CLOSED SYSTEMS, V - VENTED SYSTEMS. THE DETAILS OF THE FIRESTOP SYSTEM SHALL BE AS FOLLOWS: A. FILL VOID OR CAVITY MATERIALS - WRAP STRIP - NOM 1/4 IN THICK NONWESSENT ELASTOMERIC MATERIAL FACED ON ONE SIDE WITH ALUMINUM FOIL. SUPPLIED IN 2 IN WIDE STRIPS, NOM 2 IN WIDE STRIPS TIGHTLY WRAPPED AROUND NONMETALLIC PIPE OR CONDUIT (FOIL SIDE EXPOSED) WITH THE EDGES BUTTED AGAINST THE SURFACE OF THE WALL. SUFFICIENT LAYERS OF WRAP STRIP SHALL BE INSTALLED TO LAP A MIN OF 3/8 IN ON THE WALL SURFACE AROUND THE ENTIRE PERIMETER OF THE CIRCULAR THROUGH OPENING. FOR NOM 1/2 IN TO NOM 2 IN DIAM PIPES OR CONDUITS, A MIN OF ONE LAYER OF WRAP STRIP IS REQUIRED. FOR NOM 2-1/2 IN. AND NOM 3 IN. DIAM PIPES, A MIN OF TWO LAYERS OF WRAP STRIP IS REQUIRED. FOR NOM 3-1/2 IN. AND NOM 4 IN. DIAM PIPES, A MIN OF THREE LAYERS OF WRAP STRIP IS REQUIRED. FOR NOM 5 AND 6 IN. DIAM. TWO TEES (4 IN. OVERALL LENGTH) OF THREE LAYERS OF WRAP STRIP IS REQUIRED. WITH ADJOINING WRAP STRIP LAYER EDGES BETWEEN TEES TIGHTLY BUTTED. EACH LAYER OF WRAP STRIP TO BE INSTALLED WITH BUTTED SEAMS IN SUCCESSIVE LAYERS STAGGERED. WRAP STRIP LAYERS TEMPORARILY HELD IN POSITION USING ALUMINUM FOIL TAPE, STEEL WIRE TIE OR EQUIVALENT. MINNESOTA MINING & MFG. CO - TYPE FS-95+

1925 Prospect Ave.
Orlando, FL 32814
P (407) 661-9100
F (407) 661-9101
www.r.p.c.com

Chilac & Ret...
Architects Engineers

CLIENT NAME
White Development Company
1801 South Keene Rd.
Clearwater, FL 33756

PROJECT NAME
Retail @ Tattersall Park
US Highway 280 & Highway 119
Hoover, AL

SHEET TITLE
Plumbing Details

| Rev. | Description | Date |
|------|-------------------------|----------|
| 1 | 100% PUNCH SUBMITTAL | 06-07-18 |
| 2 | ISSUED FOR CONSTRUCTION | 7-26-18 |

PROJECT NO.
210000
DATE
07-27-18
DRAWN
JAS
CHECKED
JAS

Job Number: 51222

Colwill Engineering
Sustaining Engineers, Inc.
Engineering Business No. CA-2581 X
4789 East Adams Drive, Tampa, Florida 33606
Tel: 813-941-8844 Fax: 813-941-8844
© 2018 ALL RIGHTS RESERVED

P300

Order Plans @