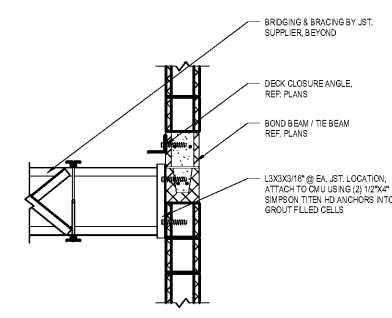
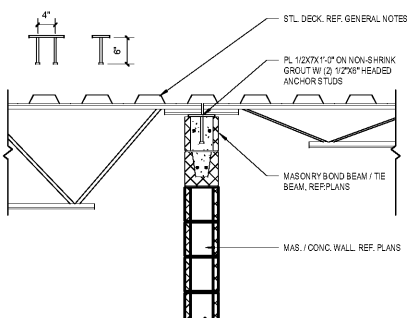


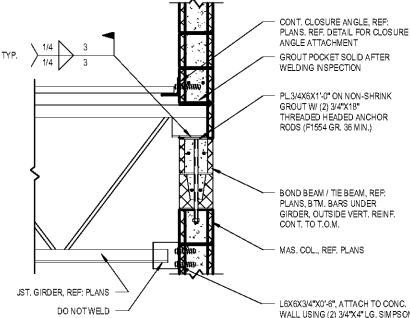
**1 Framing Detail**  
SCALE: 3/4" = 1'-0"



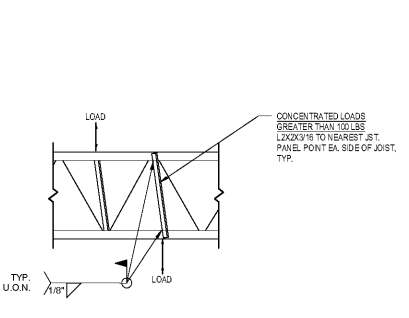
**2 Framing Detail**  
SCALE: 3/4" = 1'-0"



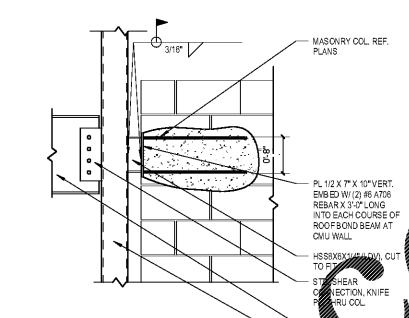
**3 Framing Detail**  
SCALE: 3/4" = 1'-0"



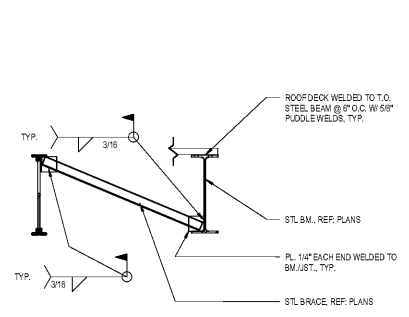
**4 Framing Detail**  
SCALE: 3/4" = 1'-0"



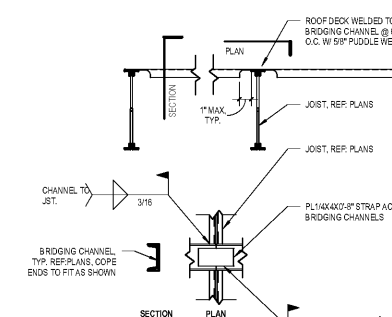
**5 Framing Detail**  
SCALE: 3/4" = 1'-0"



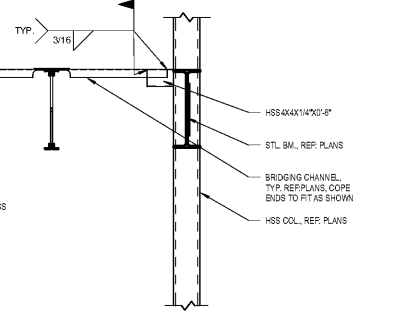
**6 Framing Detail**  
SCALE: 3/4" = 1'-0"



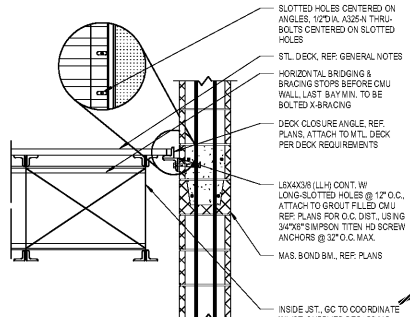
**7 Framing Detail**  
SCALE: 3/4" = 1'-0"



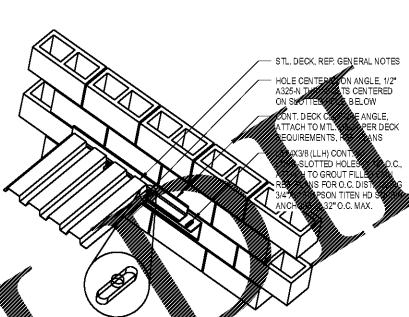
**8 Framing Detail**  
SCALE: 3/4" = 1'-0"



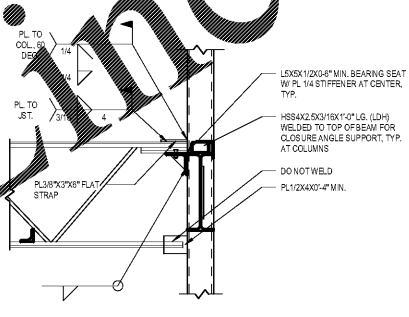
**9 Framing Detail**  
SCALE: 3/4" = 1'-0"



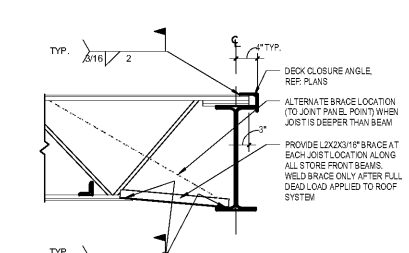
**10 Framing Detail**  
SCALE: 3/4" = 1'-0"



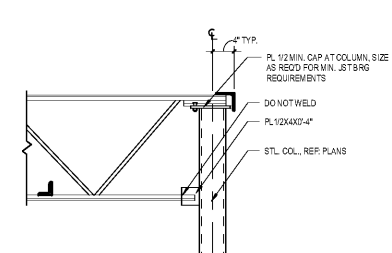
**11 Framing Detail**  
SCALE: 3/4" = 1'-0"



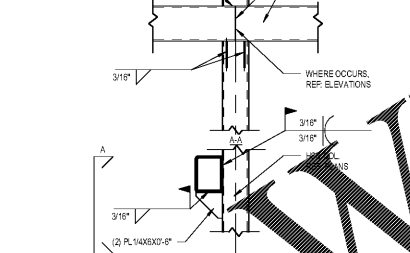
**12 Framing Detail**  
SCALE: 3/4" = 1'-0"



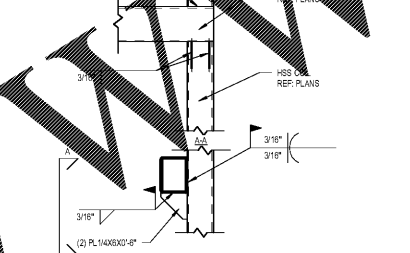
**13 Framing Detail**  
SCALE: 3/4" = 1'-0"



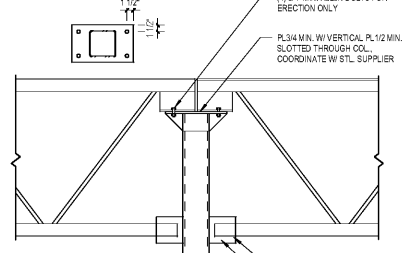
**14 Framing Detail**  
SCALE: 3/4" = 1'-0"



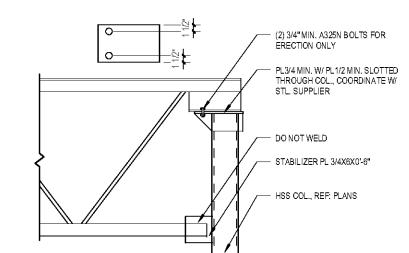
**15 Framing Detail**  
SCALE: 3/4" = 1'-0"



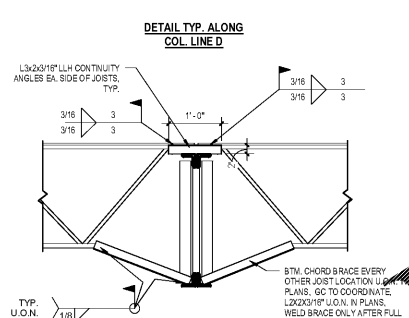
**16 Framing Detail**  
SCALE: 3/4" = 1'-0"



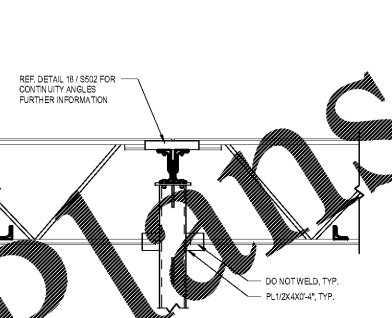
**17 Framing Detail**  
SCALE: 3/4" = 1'-0"



**18 Framing Detail**  
SCALE: 3/4" = 1'-0"



**19 Framing Detail**  
SCALE: 3/4" = 1'-0"



**20 Framing Detail**  
SCALE: 3/4" = 1'-0"

1925 Prospect Ave.  
Orlando, FL 32814  
P (407) 661-9100  
F (407) 661-9101  
www.rp.com

White Development Company  
1801 South Keene Rd.  
Clearwater, FL 33766

White Development Company  
1801 South Keene Rd.  
Clearwater, FL 33766

Project Name: Retail @ Tattersall Park  
US Highway 280 & Highway 119  
Hoover, AL



Rev.	Description	Date
A	100% Permit Submission	06-07-18
B	Issued to Bid & Permit	7-26-18

PROJECT NO. 210000  
DATE 07-26-18  
DRAWN BY ED  
CHECKED EDW

S502

Order Plans