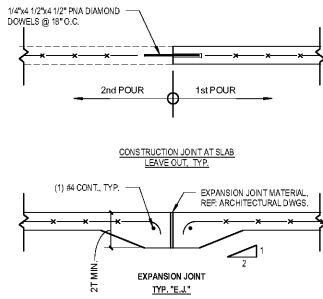
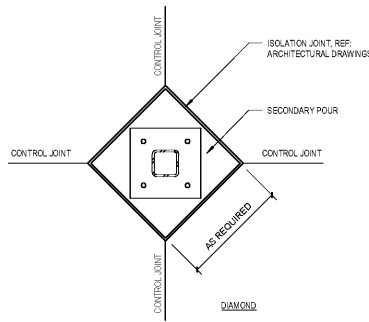


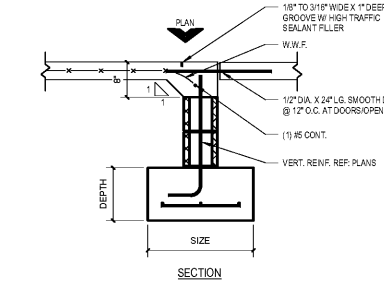
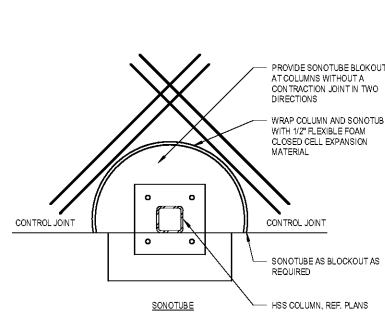
1 Sawcut Joint
SCALE: 3/4" = 1'-0"



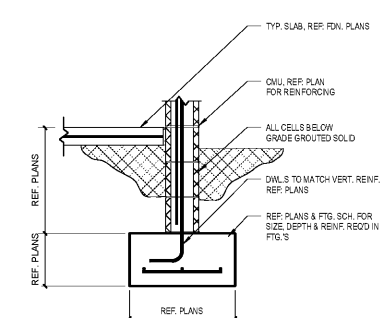
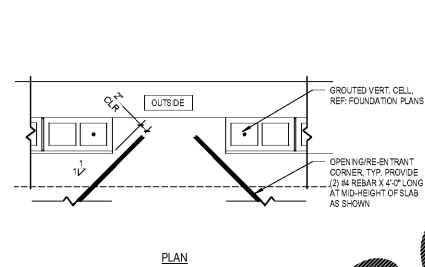
2 Construction Joint
SCALE: 3/4" = 1'-0"



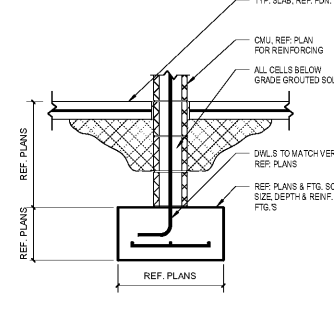
3 Secondary Isolation Pour
SCALE: 3/4" = 1'-0"



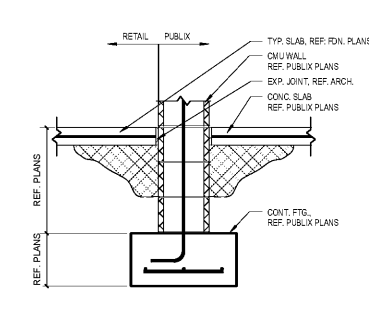
4 Foundation @ Opening Detail
SCALE: 3/4" = 1'-0"



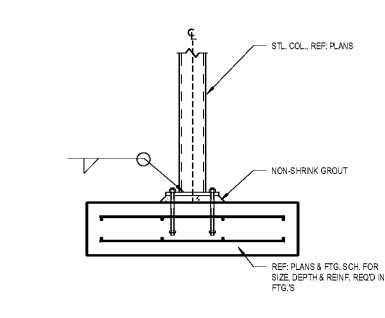
5 Foundation Detail
SCALE: 3/4" = 1'-0"



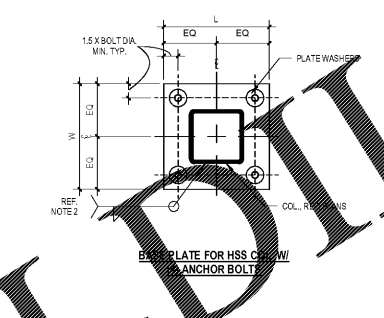
6 Foundation Detail
SCALE: 3/4" = 1'-0"



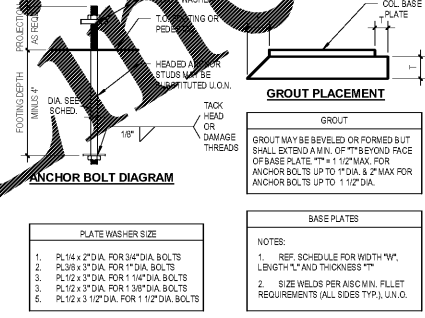
7 Foundation Detail
SCALE: 3/4" = 1'-0"



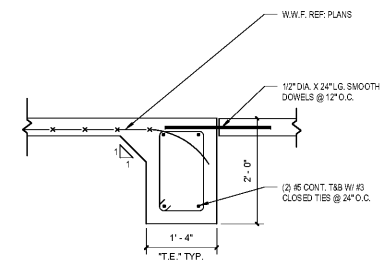
8 Foundation Detail
SCALE: 3/4" = 1'-0"



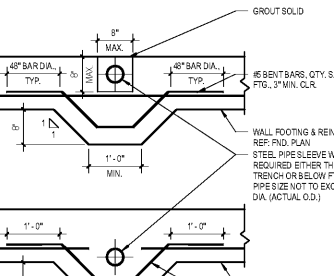
9 Base Plate Detail w/ Plate Washers
SCALE: 1 1/2" = 1'-0"



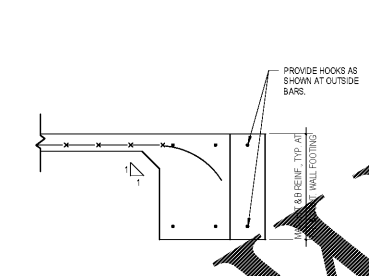
10 Anchor Rod & Grout Detail
SCALE: 1 1/2" = 1'-0"



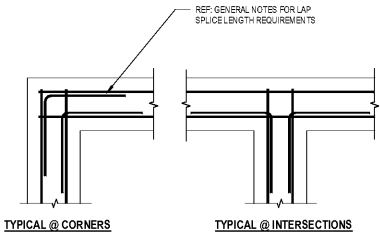
11 Foundation Detail
SCALE: 3/4" = 1'-0"



12 Foundation Detail
SCALE: 3/4" = 1'-0"



13 Typ. T.E. & Wall Ftg. Extensions
SCALE: 3/4" = 1'-0"



14 Continuity Corner, Typ.
SCALE: 3/4" = 1'-0"

Order Plans

1925 Prospect Ave.
Orlando, FL 32814
P (407) 661-9100
F (407) 661-9101
www.rp.com
Cabalaci & Reto Architects Engineers

White Development Company
1801 South Keene Rd.
Clearwater, FL 33756

Retail @ Tattersall Park
US Highway 280 & Highway 119
Hoover, AL



Rev.	Description	Date
A	100% Permit Submission	06-07-18
B	Issued to City for Permit	7-26-18

PROJECT NO.	210000
DATE	07-26-18
DRAWN	RFD
CHECKED	EDM

S501