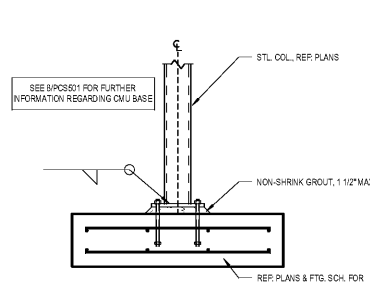
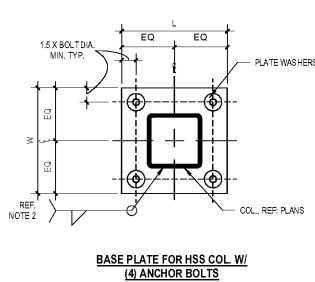


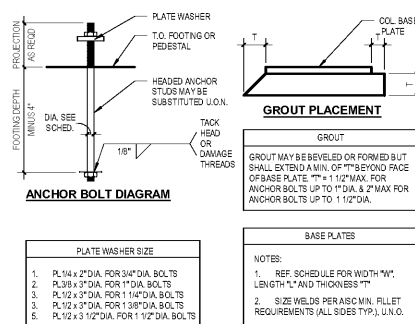
1 Isolation Pour
SCALE: 3/4" = 1'-0"



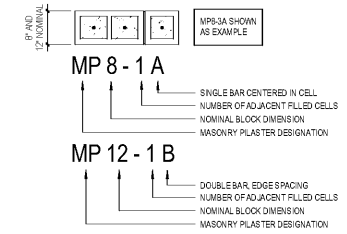
2 Foundation Detail
SCALE: 3/4" = 1'-0"



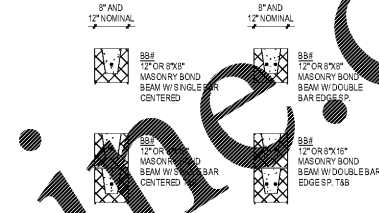
3 Base Plate and Anchor Bolt Detail
SCALE: 1 1/2" = 1'-0"



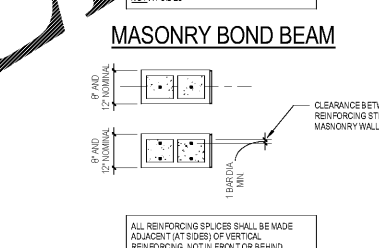
4 CC-Corner Concrete Column
SCALE: 1" = 1'-0"



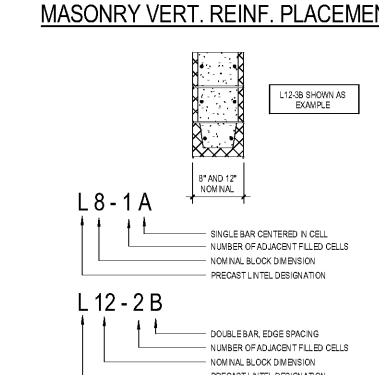
MASONRY PILASTER DESIGNATION



MASONRY BOND BEAM

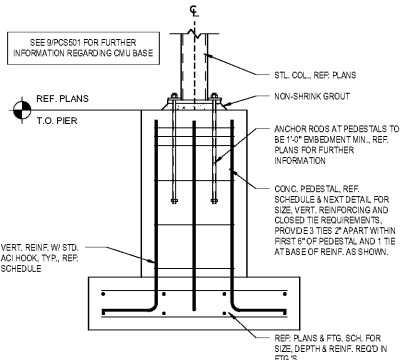


MASONRY VERT. REINF. PLACEMENT

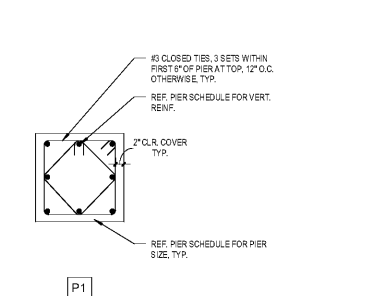


LINTELS

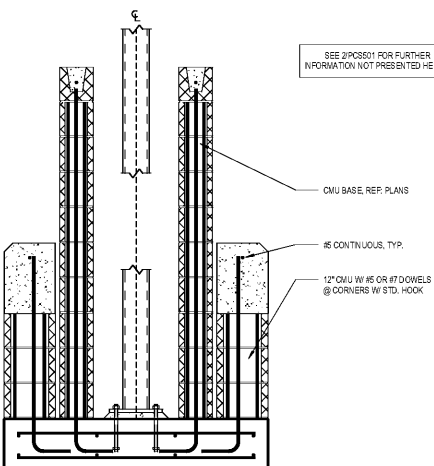
5 General CMU Information
SCALE: 3/4" = 1'-0"



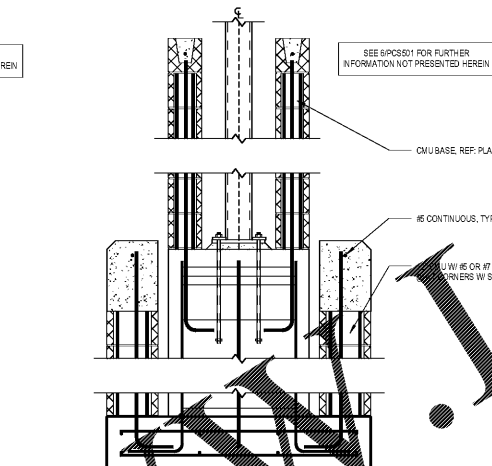
6 Foundation Detail
SCALE: 3/4" = 1'-0"



7 Pier Cross Sections
SCALE: 3/4" = 1'-0"



8 Foundation Detail
SCALE: 3/4" = 1'-0"



9 Foundation Detail
SCALE: 3/4" = 1'-0"

Order Plans @ www.LDILine.com

1925 Prospect Ave.
Orlando, FL 32814
P (407) 661-9100
F (407) 661-9101
www.LDILine.com

White Development Company
1801 South Keene Road
Clearwater, Florida 33766

Publix @ Tattersall Park
NEC of U.S. Highway 280 & Highway 119
Hoover, Alabama

Publix Canopy Foundation Details



| No. | Description | Date |
|-----|--------------------------|----------|
| A | 50% Public Submission | 04/27/18 |
| B | 100% Public | 06/07/18 |
| C | 100% Public Resubmission | 07/06/18 |
| D | Issued for Bid & Permit | 7/26/18 |

CHECKED: EDW
DATE: 07/26/18
DRAWN: CS

PROJECT NO. 210000
DATE: 07/26/18

PCS501