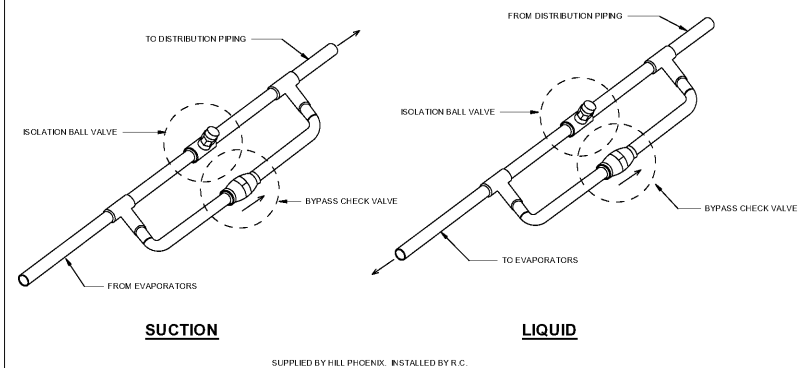


PUBLIX FACILITIES DESIGN DEPARTMENT

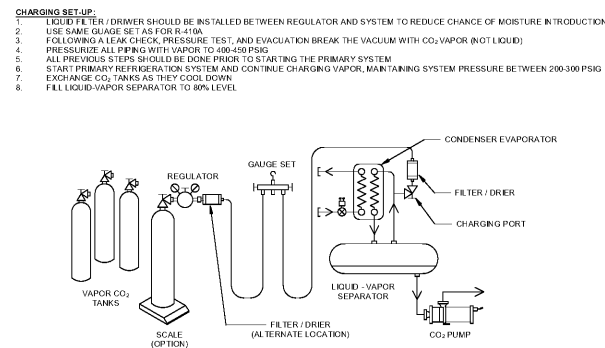
- DAVID W. BEEBE, PE
ARCHITECT FL REG. 11577
DAVID W. BEEBE, PE
ARCHITECT FL REG. 11577
GA REG. 24905
AL REG. 101962
TN REG. 6234
NC REG. 103497
VA REG. 12432
TX REG. 84018109F
JOHN W. KITCHENS, PE
CIVIL MECHANICAL FL REG. 45277
GA REG. 27740
SC REG. 21754
AL REG. 24905
TN REG. 101962
NC REG. 39873
VA REG. 0402055022
JOHN J. CARAMALIS, PE
MECHANICAL FL REG. 43889
GA REG. 021248
SC REG. 16221
AL REG. 20581
TN REG. 106507
VA REG. 0402055478
ANTHONY CLEMENTI, PE
MECHANICAL FL REG. 54781
GA REG. 31862
SC REG. 25591
AL REG. 28489
TN REG. 111302
NC REG. 039964
VA REG. 0402055137
RAYMOND J. SIRIANNI, PE
ELECTRICAL FL REG. 54085
GA REG. 020508
SC REG. 19743
AL REG. 23905
TN REG. 108038
NC REG. 039963
VA REG. 0402055378

© COPYRIGHT 2018
PUBLIX SUPER MARKETS, INC.
THESE CONSTRUCTION DOCUMENTS ARE THE PROPERTY OF PUBLIX SUPER MARKETS, INC. AND ARE NOT TO BE COPIED OR REUSED FOR ANY SPECIFIC BUILDING WITHOUT WRITTEN PERMISSION. THESE DRAWINGS SHALL NOT BE DISCLOSED WITHOUT PRIOR WRITTEN PERMISSION OF PUBLIX SUPER MARKETS, INC.

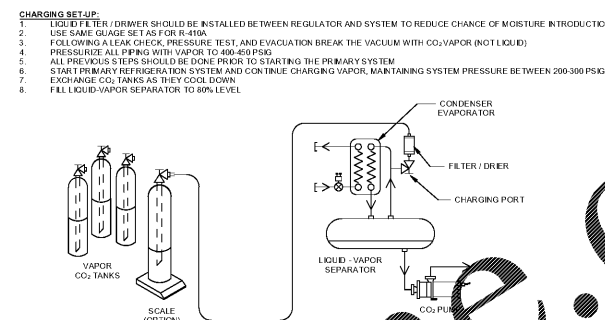
THE DESIGN INDICATED IN THESE CONSTRUCTION DOCUMENTS IS TO THE BEST OF MY KNOWLEDGE, INFORMATION, AND BELIEF, COMPLY WITH THE APPLICABLE MINIMUM BUILDING CODES.



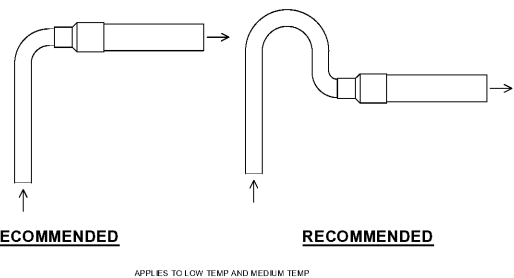
1 REFRIG - CIRCUIT ISOLATION VALVE ASSEMBLIES
SCALE: N.T.S.



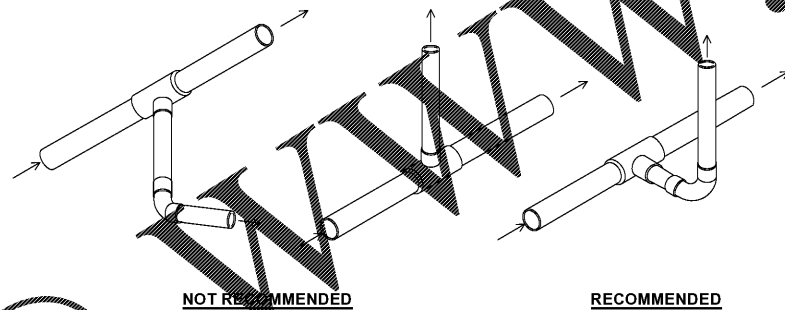
2 REFRIG - CO2 VAPOR CHARGING SETUP
SCALE: N.T.S.



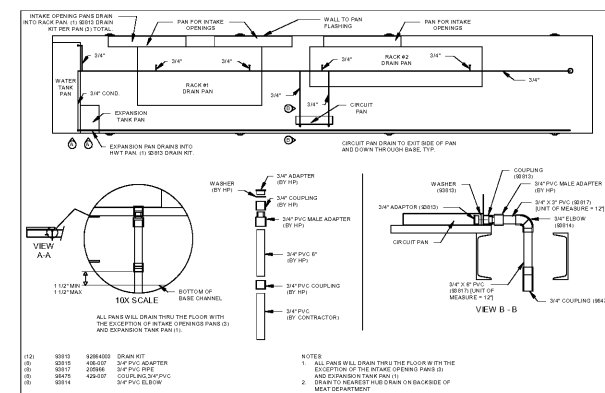
3 REFRIG - CO2 LIQUID CHARGING SETUP
SCALE: N.T.S.



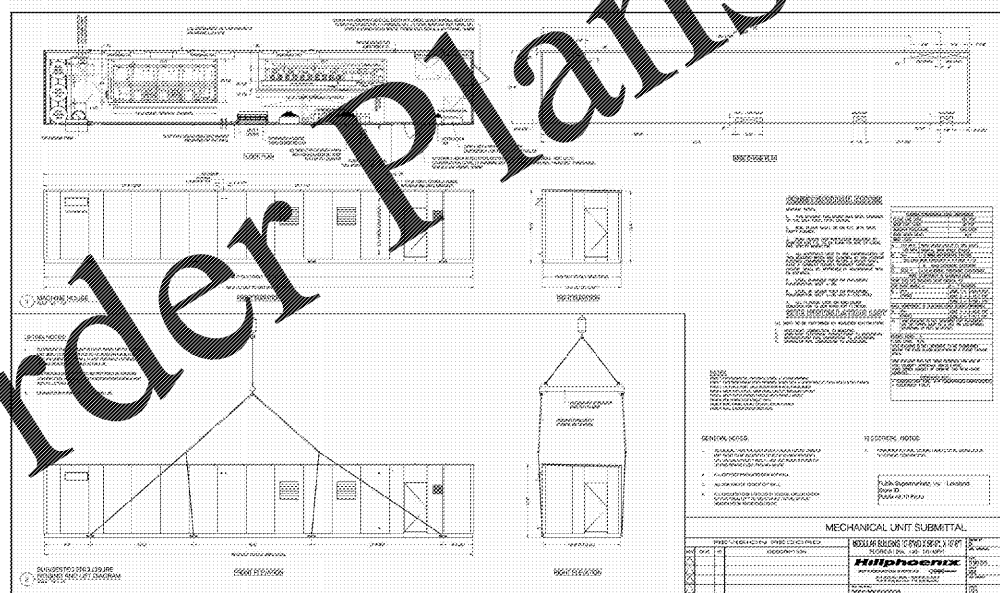
4 REFRIG - RISER RETURN TRANSITIONING INTO HORIZONTAL RUN
SCALE: N.T.S.



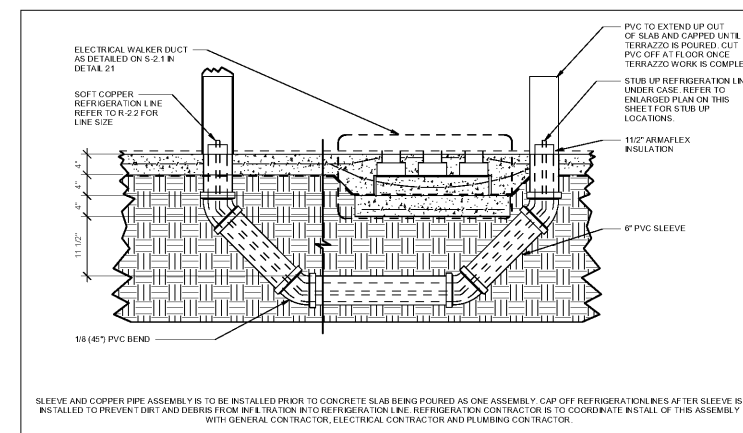
5 REFRIG - LIQUID SUPPLY LINE BRANCH PIPING
SCALE: N.T.S.



6 REFRIG - MECHANICAL CENTER DRAIN PAN DETAIL
SCALE: N.T.S.



7 REFRIG - MECHANICAL CENTER RIGGING DETAIL
SCALE: AS NOTED



8 REFRIG - UNDERGROUND REFRIGERATION PIPING (DX)
SCALE: 1" = 1'-0"

PLOT DATE:
August 21 2018

No.	Description	Date

STORE NUMBER
1687
Tattersall Park
US 280 & Highway 19
Hoover
Shelby Co., AL
48.10
V814.2018
SIENNA LITE

REFRIGERATION
DETAILS (3 OF 3)

As indicated
R3.3