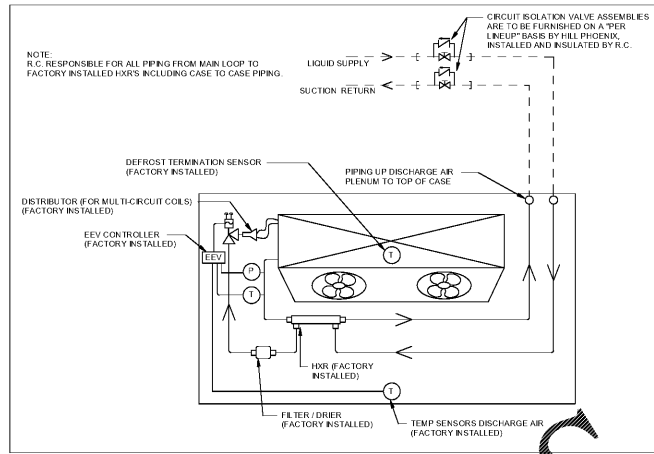
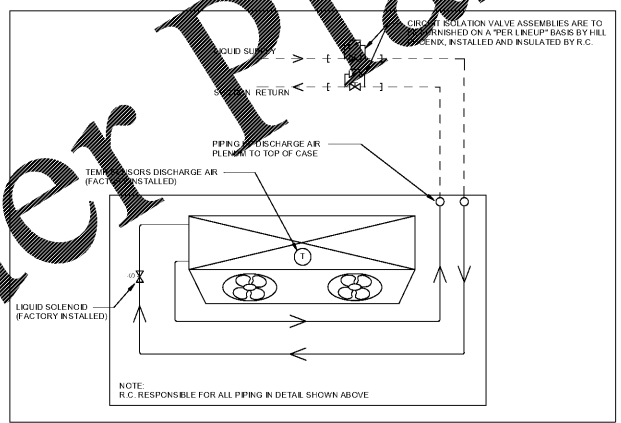


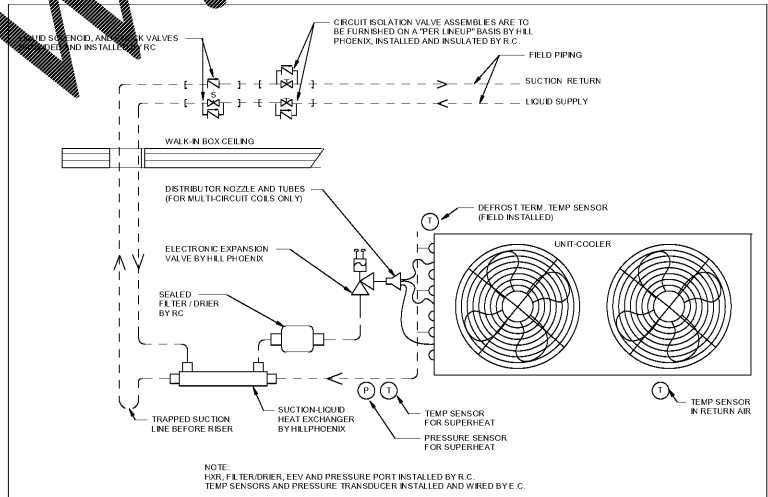
EVAPORATOR COIL HEAT EXCHANGER SCHEDULE				
SYSTEM NUMBER	COIL MODEL	HEAT EXCHANGER MANUFACTURER	HEAT EXCHANGER MODEL	NOTES
102	LLEC-102	PACKLESS	HXR-50	SHIPPED LOOSE WITH MECHANICAL CENTER, INSTALLED BY R.C.
104	LLEC-116	PACKLESS	HXR-50	SHIPPED LOOSE WITH MECHANICAL CENTER, INSTALLED BY R.C.
106	(2) LLEC-170	PACKLESS	HXR-50	SHIPPED LOOSE WITH MECHANICAL CENTER, INSTALLED BY R.C.
112	LLEC-116	PACKLESS	HXR-50	SHIPPED LOOSE WITH MECHANICAL CENTER, INSTALLED BY R.C.
115	LLEC-102	PACKLESS	HXR-50	SHIPPED LOOSE WITH MECHANICAL CENTER, INSTALLED BY R.C.



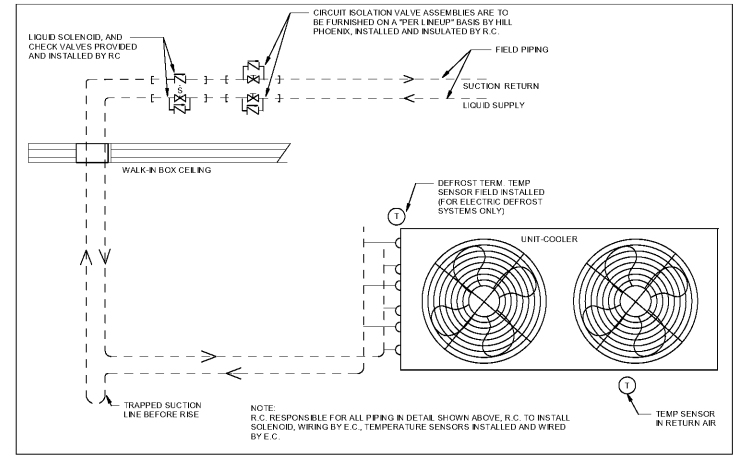
1 REFRIG - LOW TEMP DX CO2 DISPLAY CASE PIPING (ELECTRIC DEFROST)
SCALE: N.T.S.



2 REFRIG - MEDIUM TEMP DX CO2 DISPLAY CASE PIPING (TIMED-OFF DEFROST)
SCALE: N.T.S.



3 REFRIG - WALK-IN EVAPORATOR LOW TEMP DX CO2 (ELECTRIC DEFROST)
SCALE: N.T.S.



4 REFRIG - WALK-IN EVAPORATOR MEDIUM TEMP DX CO2
SCALE: N.T.S.

PLOT DATE:
August 21 2018

No.	Description	Date

STORE NUMBER
1687
Tattersall Park
US 280 & Highway 19
Hoover
Shelby Co., AL

48.10
VIBRA 2018
SIENNA LITE

REFRIGERATION
DETAILS (2 OF 3)

1/8" = 1'-0"

R3.2

Order Plans

WWW.LDILine.com

@