

No.	Description	Date

STORE NUMBER
1687
Tattersall Park
US 280 & Highway 19
Flopper
Shelby Co., AL

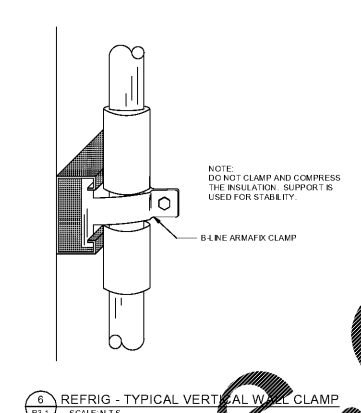
48.10
VIB14.2018
SIENNA LITE

REFRIGERATION
DETAILS (1 OF 3)

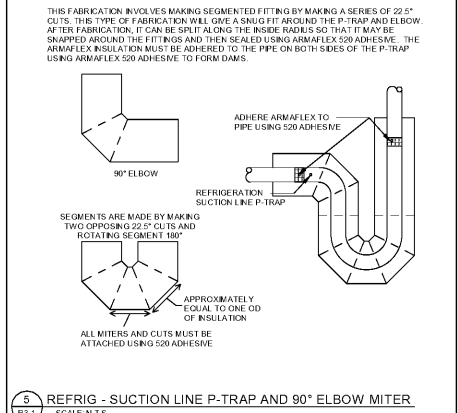
N.T.S.

R3.1

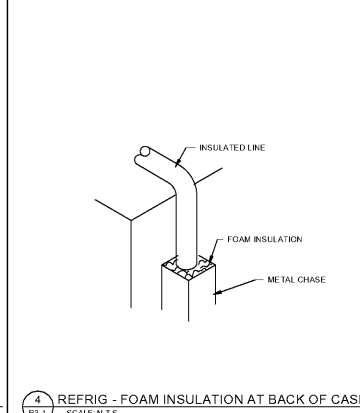
PERMIT SET DATE: 8/29/2018 11:34:00 AM



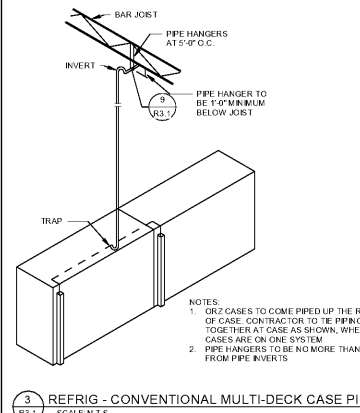
6 REFRIG - TYPICAL VERTICAL WALL CLAMP
SCALE: N.T.S.



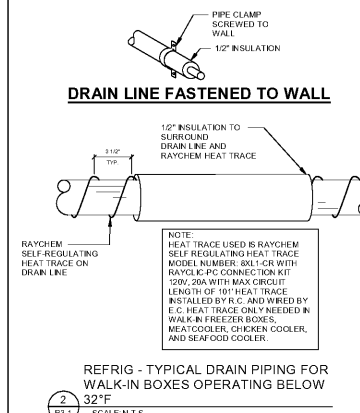
5 REFRIG - SUCTION LINE P-TRAP AND 90° ELBOW MITER
SCALE: N.T.S.



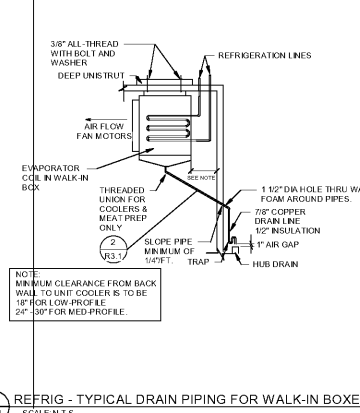
4 REFRIG - FOAM INSULATION AT BACK OF CASE
SCALE: N.T.S.



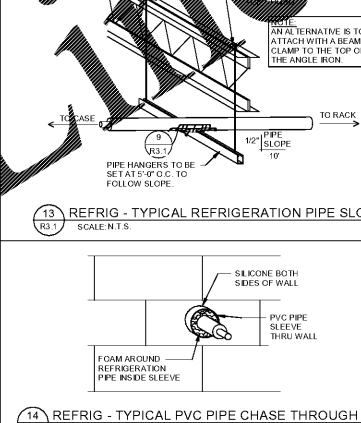
3 REFRIG - CONVENTIONAL MULTI-DECK CASE PIPING
SCALE: N.T.S.



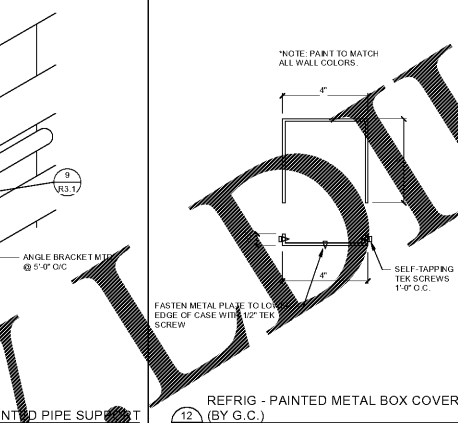
2 REFRIG - TYPICAL DRAIN PIPING FOR WALK-IN BOXES OPERATING BELOW 32°F
SCALE: N.T.S.



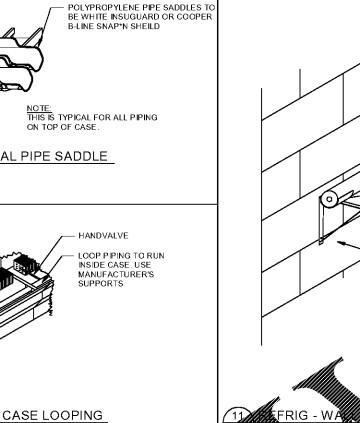
1 REFRIG - TYPICAL DRAIN PIPING FOR WALK-IN BOXES
SCALE: N.T.S.



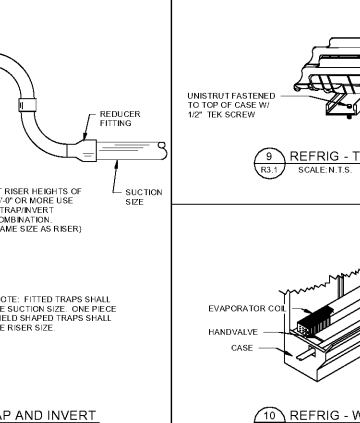
13 REFRIG - TYPICAL REFRIGERATION PIPE SLOPE
SCALE: N.T.S.



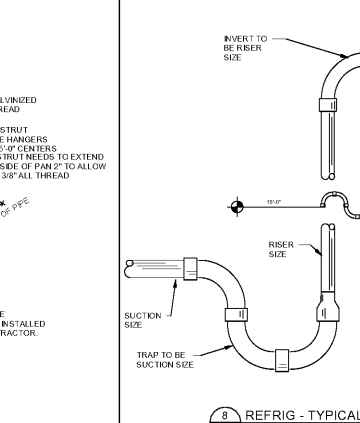
12 REFRIG - PAINTED METAL BOX COVER (BY G.C.)
SCALE: N.T.S.



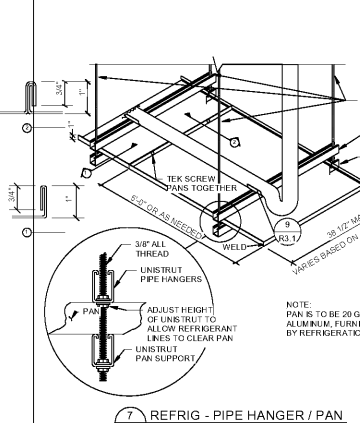
9 REFRIG - TYPICAL PIPE SADDLE
SCALE: N.T.S.



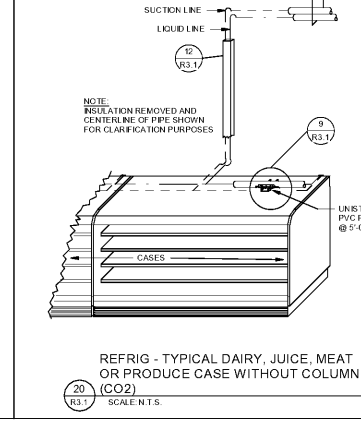
10 REFRIG - WALL CASE LOOPING
SCALE: N.T.S.



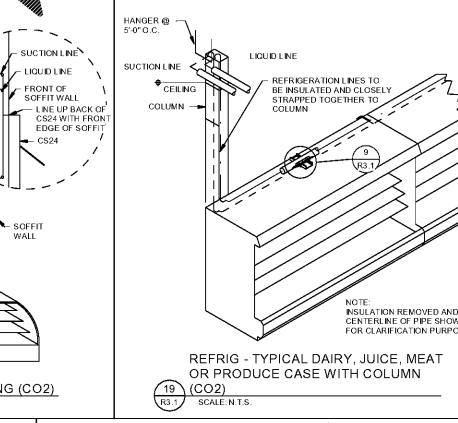
8 REFRIG - TYPICAL TRAP AND INVERT
SCALE: N.T.S.



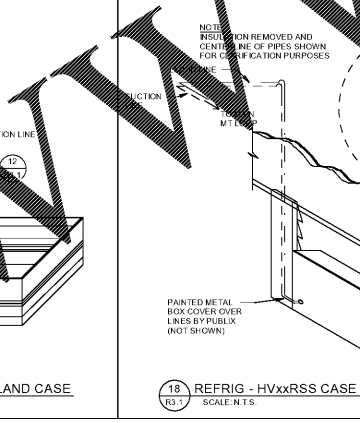
7 REFRIG - PIPE HANGER / PAN
SCALE: N.T.S.



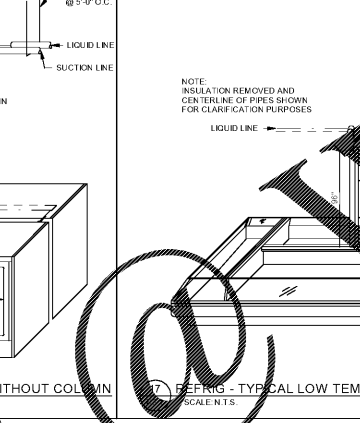
20 REFRIG - TYPICAL DAIRY, JUICE, MEAT OR PRODUCE CASE WITHOUT COLUMN (CO2)
SCALE: N.T.S.



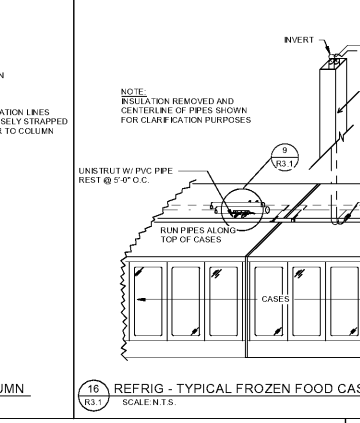
19 REFRIG - TYPICAL DAIRY, JUICE, MEAT OR PRODUCE CASE WITH COLUMN (CO2)
SCALE: N.T.S.



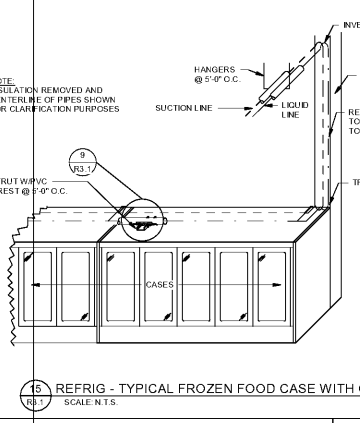
18 REFRIG - HVX/RSS CASE PIPING (CO2)
SCALE: N.T.S.



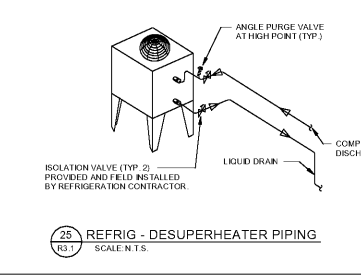
17 REFRIG - TYPICAL LOW TEMP ISLAND CASE
SCALE: N.T.S.



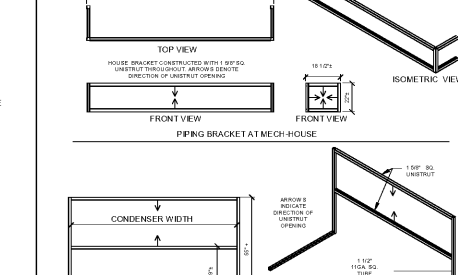
16 REFRIG - TYPICAL FROZEN FOOD CASE WITHOUT COLUMN
SCALE: N.T.S.



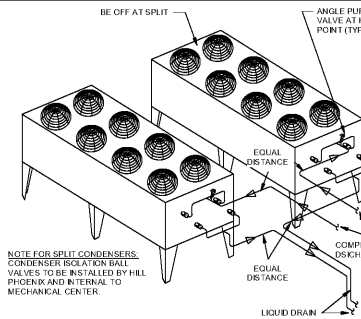
15 REFRIG - TYPICAL FROZEN FOOD CASE WITH COLUMN
SCALE: N.T.S.



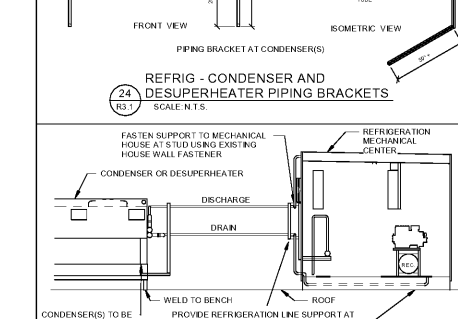
25 REFRIG - DESUPERHEATER PIPING
SCALE: N.T.S.



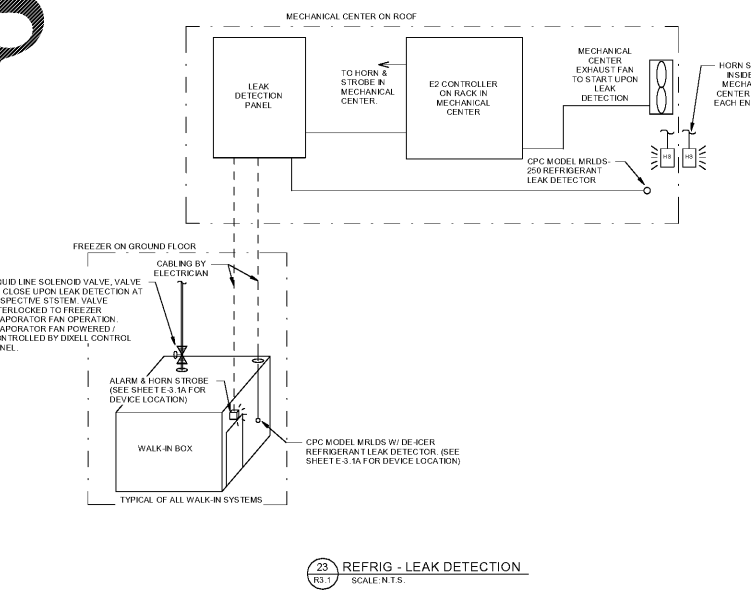
24 REFRIG - CONDENSER AND DESUPERHEATER PIPING BRACKETS
SCALE: N.T.S.



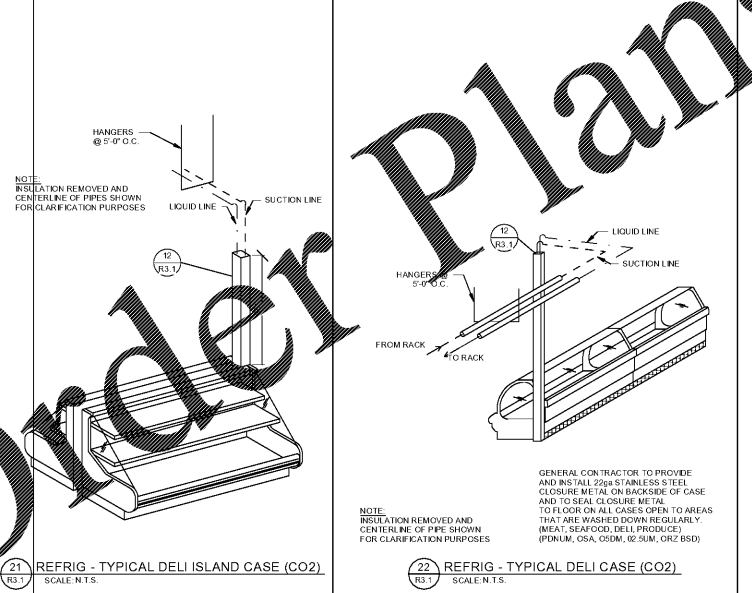
27 REFRIG - DOUBLE WIDE PARALLEL CONDENSER PIPING (SPLIT CONDENSER PROJECT)
SCALE: N.T.S.



26 REFRIG - CONDENSER AND DESUPERHEATER PIPING SUPPORT
SCALE: N.T.S.



23 REFRIG - LEAK DETECTION
SCALE: N.T.S.



22 REFRIG - TYPICAL DELI CASE (CO2)
SCALE: N.T.S.



21 REFRIG - TYPICAL DELI ISLAND CASE (CO2)
SCALE: N.T.S.

Order Plans