

No.	Description	Date

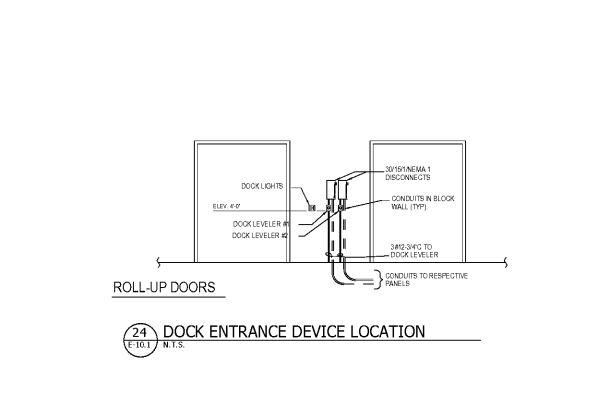
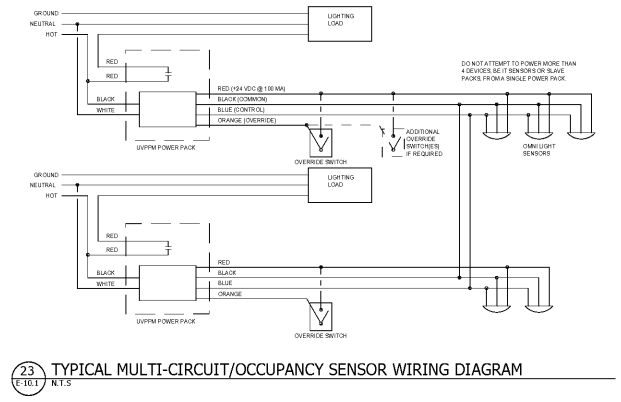
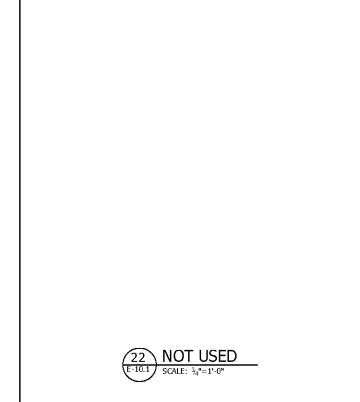
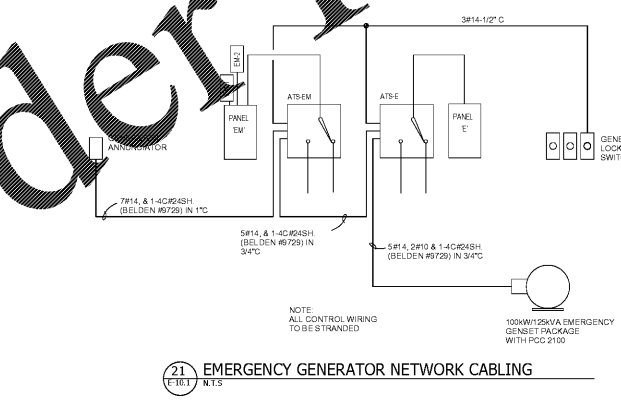
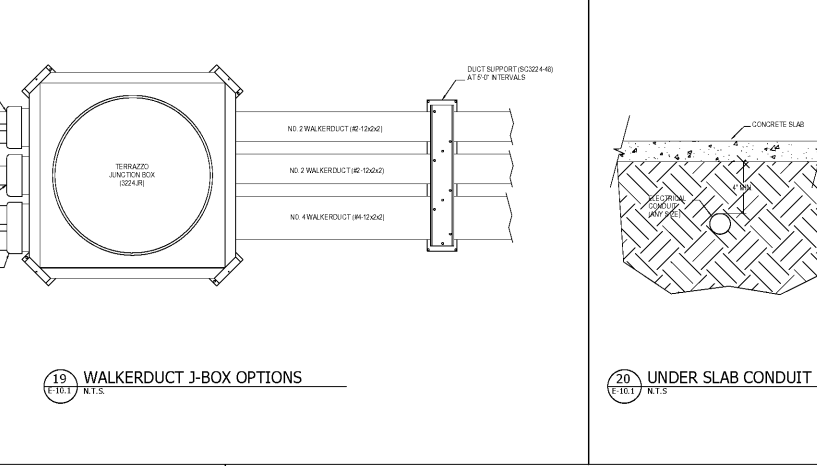
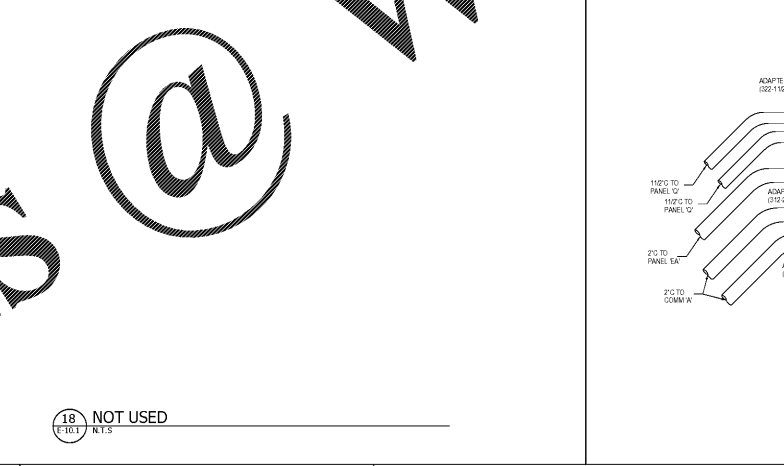
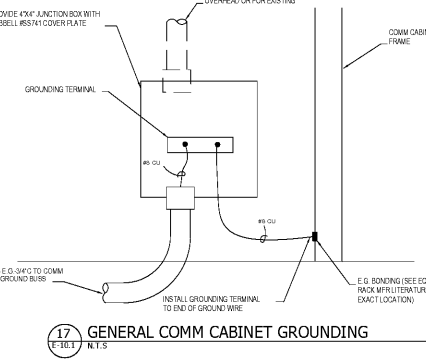
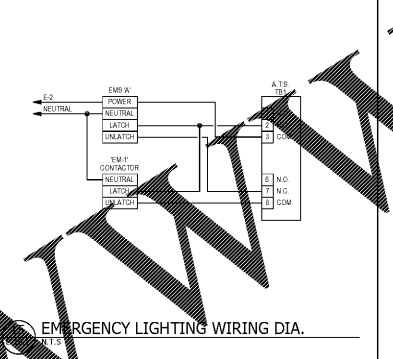
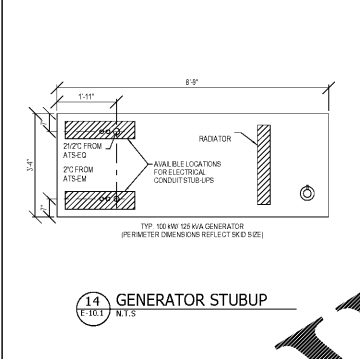
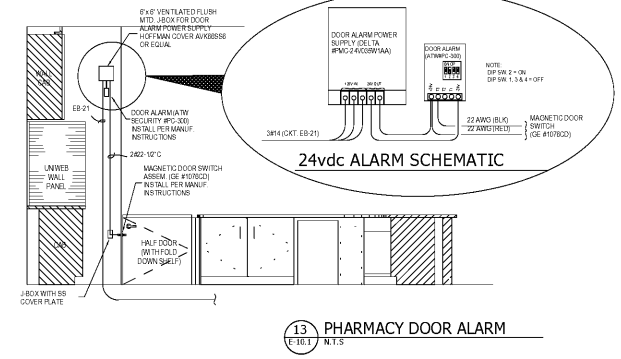
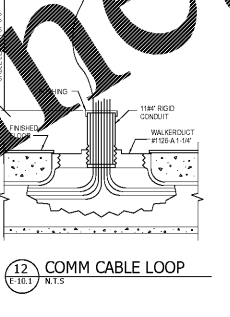
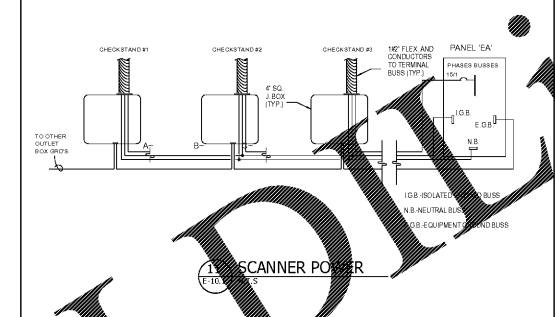
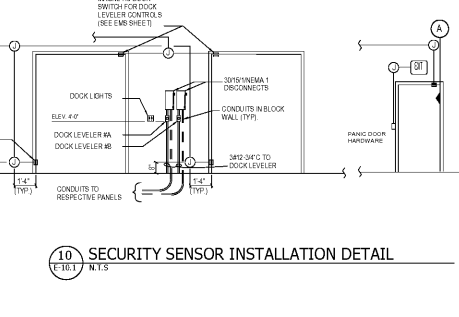
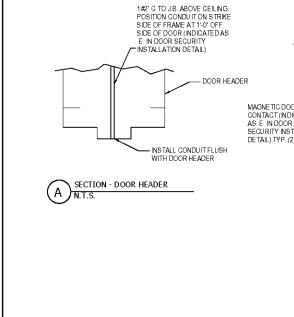
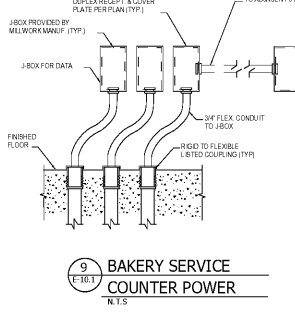
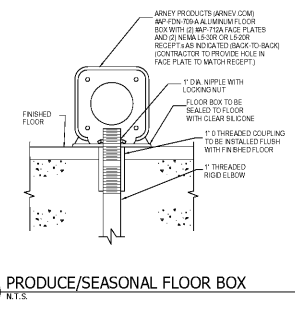
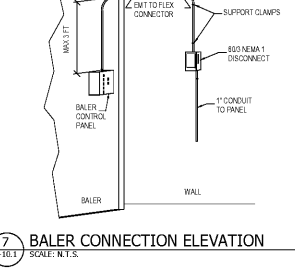
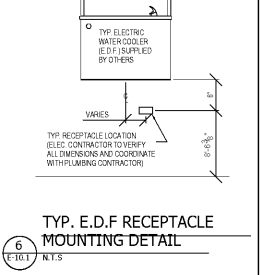
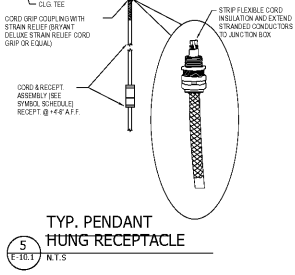
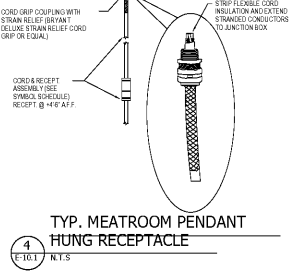
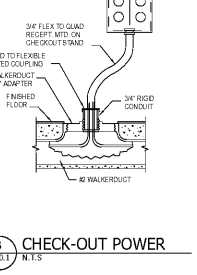
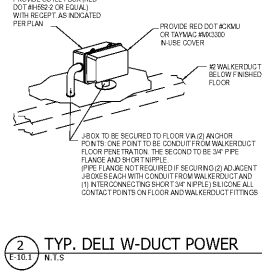
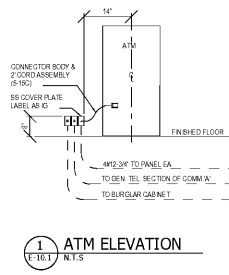
STORE NUMBER
1687
Tattersall Park
US 280 & Highway 19
Hoover
Shelby Co., AL

48.10
V1814.2018
SIENNA LITE

ELECTRICAL
DETAILS

1/8" = 1'-0"

E10.1



Order Plans @