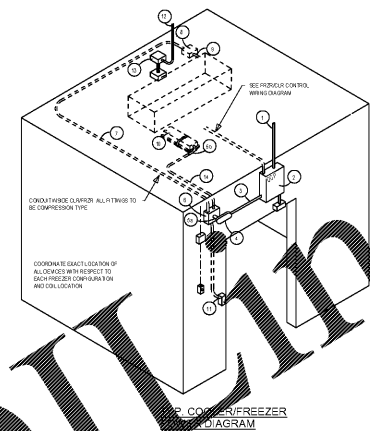
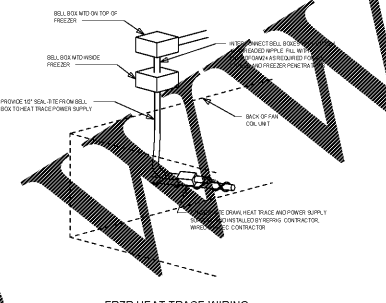
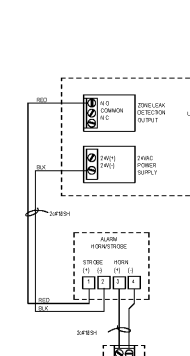


COOLER/FREEZER POWER DIAGRAM

- 1. REFER TO ALL COOLERS & FREEZERS...
2. DEFROST CONTROL PANEL...
3. CONTRACTOR TO PROVIDE...
4. ELECTRICAL CONTRACTOR...
5. REFER TO ALL COOLERS & FREEZERS...
6. CONTRACTOR TO PROVIDE...
7. ELECTRICAL CONTRACTOR...
8. REFER TO ALL COOLERS & FREEZERS...
9. CONTRACTOR TO PROVIDE...
10. REFER TO ALL COOLERS & FREEZERS...
11. REFER TO ALL COOLERS & FREEZERS...
12. REFER TO ALL COOLERS & FREEZERS...
13. REFER TO ALL COOLERS & FREEZERS...
14. REFER TO ALL COOLERS & FREEZERS...



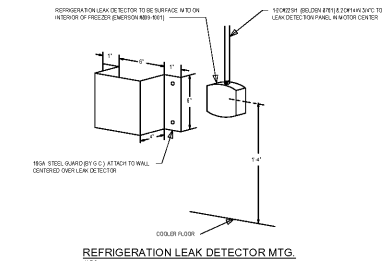
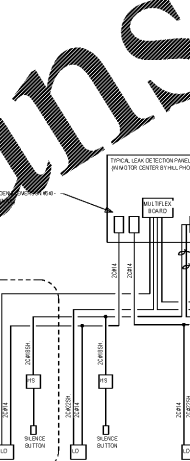
GENERAL NETWORK WIRING DIAGRAM



TYP. COOLER FAN COIL DISC. SW. (NO ELEC. DEFROST)

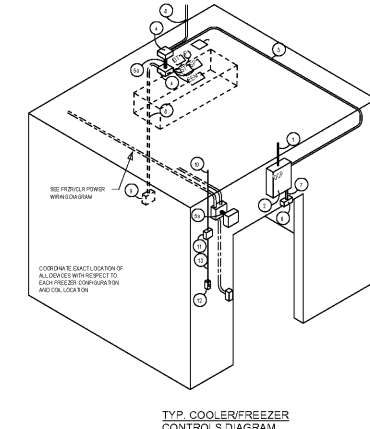
TYP. FREEZER MEAT & CHICKEN COOLER DISC. SW. (W/ ELEC. DEFROST)

ALARM WIRING DIAGRAM



COOLER/FREEZER CONTROLS DIAGRAM

- 1. REFER TO ALL COOLERS & FREEZERS...
2. DEFROST CONTROL PANEL...
3. CONTRACTOR TO PROVIDE...
4. ELECTRICAL CONTRACTOR...
5. REFER TO ALL COOLERS & FREEZERS...
6. CONTRACTOR TO PROVIDE...
7. ELECTRICAL CONTRACTOR...
8. REFER TO ALL COOLERS & FREEZERS...
9. CONTRACTOR TO PROVIDE...
10. REFER TO ALL COOLERS & FREEZERS...
11. REFER TO ALL COOLERS & FREEZERS...
12. REFER TO ALL COOLERS & FREEZERS...
13. REFER TO ALL COOLERS & FREEZERS...
14. REFER TO ALL COOLERS & FREEZERS...



LEAK DETECTION SYSTEM WIRING DIAGRAM (TYP.)



Order Plans @