

BASIC UNIT		AIR CONDITIONING EQUIPMENT SCHEDULE										POWER		POWER		BASIC UNIT		MISC. NOTES							
UNIT	MODEL #	LOCATION TYPE	CFM	O/A CFM	EXT. S.P. (IN. H2O)	TOTAL S.P. (IN. H2O)	EAT (°F DB/WB)	TOTAL BTUH	SENS. BTUH	LAT SWAP (°F DB/WB)	REQ. HP	BLOWER NOM. HP	COMPRESSOR RLA/FLA	CONDENSER QTY. OF FANS	HP	RLA	VOLTAGE	MCA	MOCF	EEER	IEER	REFRIGERANT	WEIGHT	MISC. NOTES	
AC-1	SEE SCHEDULE BELOW																							2, 3, 4, 5, 6, 7, 8, 9, 10, 11	
AC-2	LC04024H	VESTIBULE	2,000 CFM	300 CFM	0.85	1.13	77.57/65.4	89,671	48,131	53.87/53.2	1.66	2.00	7.5A	1	6.00	19A	208V/3/3P/60HZ	45A	50A	12.0	13.0	R-410A	812 lb	1, 2, 3, 4, 5, 6, 7, 8, 9, 10, 11	
AC-3	LC04024H	DELI	3,000 CFM	400 CFM	1.25	1.44	75.77/66.37	103,374	62,276	56.87/55.2	1.72	2.00	7.5A	2	4.25	22A	208V/3/3P/60HZ	65A	90A	12.4	13.5	R-410A	1,142 lb	1, 2, 3, 4, 5, 6, 7, 8, 9, 10, 11	
AC-4	LC04024H	RECEIVING/STORAGE	4,000 CFM	700 CFM	1.00	1.20	76.97/66.67	117,933	77,276	58.57/56.2	2.09	3.00	10.0A	2	5.00	27A	208V/3/3P/60HZ	80A	100A	12.2	13.2	R-410A	1,177 lb	1, 2, 3, 4, 5, 6, 7, 8, 9, 10, 11	
AC-5	LC04024H	BAKERY	3,200 CFM	400 CFM	0.70	0.87	76.97/66.47	112,253	71,104	55.17/51.1	1.66	2.00	7.5A	2	3.00	27A	208V/3/3P/60HZ	65A	90A	12.0	13.0	R-410A	850 lb	1, 2, 3, 4, 5, 6, 7, 8, 9, 10, 11	
AC-6	LC04024H	PHARMACY OFFICES	2,400 CFM	300 CFM	0.95	1.13	76.97/66.37	85,985	62,308	55.87/54.9	1.34	2.00	7.5A	1	6.00	19A	208V/3/3P/60HZ	45A	50A	12.7	13.0	R-410A	850 lb	1, 2, 3, 4, 5, 6, 7, 8, 9, 10, 11	
AC-7	LC04024H	MEZZANINE	2,800 CFM	400 CFM	1.00	1.11	80.37/66.67	85,700	59,000	58.27/56.1	1.13	2.00	7.5A	2	3.75	23A	208V/3/3P/60HZ	45A	50A	12.7	13.0	R-410A	1,110 lb	1, 2, 3, 4, 5, 6, 7, 8, 9, 10, 11	

FAN SCHEDULE											
MARK	MANUFACTURER	MODEL	HP	RPM	MINIMUM AIR FLOW (CFM)	MAXIMUM AIR FLOW (CFM)	EXTERNAL STATIC PRESSURE	SONES	VOLTAGE	COMMENTS	LOCATION
F-1	GREENHECK	CUE-180-VG	2.00 hp	1223	2720 CFM	3400 CFM	1.00 wwg	16.2	208V/1PH/60HZ	12, 4.5, 6.8, 9, 12, 13, 14, 15, 16	GH-1
F-2	GREENHECK	CUE-143-VG	1.00 hp	1067	1900 CFM	2400 CFM	1.14 wwg	12.8	208V/1PH/60HZ	12, 4.5, 6.8, 9, 12, 13, 14, 15, 16	GH-2
F-3	GREENHECK	G-089-VG	0.25 hp	1557	600 CFM	600 CFM	0.37 wwg	7.3	115V/1PH/60HZ	2, 4.5, 6.8, 9, 11, 13, 14	DISHWASHER
F-4	GREENHECK	G-089-VG	0.17 hp	1170	200 CFM	200 CFM	0.40 wwg	6.0	115V/1PH/60HZ	2, 4.5, 6.8, 9, 11, 13, 14	RESTROOM (EMPLOYEE)
F-5	GREENHECK	G-089-VG	0.17 hp	1170	200 CFM	200 CFM	0.40 wwg	6.0	115V/1PH/60HZ	2, 4.5, 6.8, 9, 11, 13, 14	AMBIER
F-6	GREENHECK	CUE-089-VG	0.25 hp	1466	550 CFM	550 CFM	0.70 wwg	8.0	115V/1PH/60HZ	12, 4.5, 6.8, 9, 12, 13, 14	BAKERY (OVEN A)
F-7	GREENHECK	CUE-089-VG	0.25 hp	1466	550 CFM	550 CFM	0.70 wwg	8.0	115V/1PH/60HZ	12, 4.5, 6.8, 9, 12, 13, 14	BAKERY (OVEN B)
F-8	GREENHECK	G-089-VG	0.25 hp	1557	600 CFM	600 CFM	0.40 wwg	7.2	115V/1PH/60HZ	2, 4.5, 6.8, 9, 11, 13, 14	RESTROOM (MEZZANINE)
F-9	GREENHECK	G-089-VG	0.17 hp	1170	200 CFM	200 CFM	0.40 wwg	6.0	115V/1PH/60HZ	2, 4.5, 6.8, 9, 11, 13, 14	RESTROOM (MEZZANINE)

FAN CURB SCHEDULE				
MARK	DESCRIPTION	ROOF CURB / WALL CAP MODEL NUMBER	WALL CAP MODEL NUMBER	FRAME OPENING
F-1	GH-1 EXHAUST FAN	GF-30-G16_VCE-30-G11		2'-3 1/2" x 2'-3 1/2"
F-2	GH-2 EXHAUST FAN	GF-22-G16_VCE-22-G15.25		1'-7 1/2" x 1'-7 1/2"
F-3	DISHWASHER	GF-19-G16		1'-4 1/2" x 1'-4 1/2"
F-4	EMPLOYEE RESTROOM	GF-17-G16		1'-2 1/2" x 1'-2 1/2"
F-5	JANITOR	GF-17-G16		1'-2 1/2" x 1'-2 1/2"
F-6	BAKERY	GF-19-G16		1'-4 1/2" x 1'-4 1/2"
F-7	BAKERY	GF-19-G16		1'-4 1/2" x 1'-4 1/2"
F-8	CUSTOMER RESTROOM	GF-19-G16		1'-4 1/2" x 1'-4 1/2"
F-9	MEZZANINE RESTROOM	GF-17-G12		1'-2 1/2" x 1'-2 1/2"
MAU-1	GH-1 MAKE-UP AIR FAN	GP124/5/45-G16		2'-1" x 6'-3"
MAU-2	GH-2 MAKE-UP AIR FAN	GP124/5/45-G16		2'-1" x 6'-3"

HOOD SCHEDULE																		
MARK	GREENHECK MODEL	SIZE L x W x H	EXHAUST MIN. CFM	MAX. CFM	S.P. (IN. H2O)	DUCT MIN. CFM	MAX. CFM	MAKE-UP AIR S.P. (IN. H2O)	DUCT MIN. CFM	UL CLASSIFICATION	"GX" AL FILTERS (NO) SIZE	LIGHTS	HOOD TYPE	MOUNT	FURNISHED	INSTALL BY	LOCATION	REMARKS
GH-1	GXWE	14'-6" x 5'-0" x 2'-0"	2720	3400	0.72	(2) 13x12	--	--	--	YES	(7) 16x20, (3) 20x20"	YES	GRAB	WALL	PUBLIC	CONTR.	DELI/DEPT	F-1, MAU-1
GH-2	GXWE	6'-0" x 2'-0" x 2'-0"	1520	1900	0.84	14x12	--	--	--	YES	(2) 16x20, (2) 20x20"	YES	GRAB	WALL	PUBLIC	CONTR.	DELI/DEPT	F-2, MAU-2
SP-1	ASP	15'-0" x 1'-3" x 0'-10"	--	--	--	--	2400	2750	0.10	(4) 10x16	YES	N/A	MAKE-UP	NO	PUBLIC	CONTR.	DELI/DEPT	MAU-1
SP-2	ASP	6'-0" x 1'-2" x 0'-10"	--	--	--	--	1300	1500	0.24	(2) 20x10	YES	N/A	MAKE-UP	NO	PUBLIC	CONTR.	DELI/DEPT	MAU-2

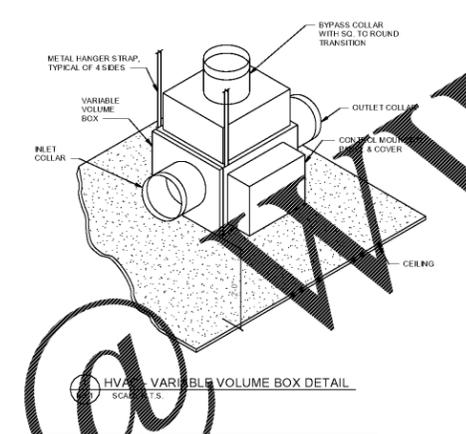
- UP BLAST
- BIRD SCREEN
- BELT DRIVE
- DIRECT DRIVE
- SWITCH - NEMA 3R, TOGGLE FACTORY MOUNTED AND WIRED
- ROOF CURB, SEE SCHEDULE
- DAMPER, GRAVITY OPERATED W/DAMPER TRAY SEE FAN MOUNTING DETAIL
- VARI GREEN E-C MOTOR W/ POT. DWL
- GREASE TRAP W/DRAIN CONNECTION
- UL 706 LISTED
- UL 702 LISTED
- HIGH EFFICIENCY MOTOR
- PERMANENT ID TAG W/ COMPLETE SPECS PROVIDE 3 PHASE MOTOR FOR VFD OPERATION, FAN IS CONTROLLED VIA MELNIX'S VARIABLE FREQUENCY DRIVE SYSTEM CONTROLLER
- NINGE KIT



- KITCHEN HOOD GH-1 AND GH-2 IS AN EXHAUST AND MAKE UP MODEL. MAKE UP AIR COMES FROM FRONT AIR PLENUM SUPPLY AND THE ADJACENT SPACES. THE ADJACENT SPACES SUPPLIES EXCESS AIR INTRODUCED VIA THE AIR CONDITIONING UNITS.
- GH-1 AND GH-2 HOOD SHALL HAVE STAINLESS STEEL BACK SPLASH PANEL. EXTENDING FULL LENGTH TO THE FLOOR AND 1" BEYOND THE END OF THE HOOD (BOTH SIDES).
- GREASE HOOD FIRE SUPPRESSION SYSTEM IS UL 300 PRE-ENGINEERED. PIPING IS FACTORY INSTALLED. FINA DROPS AND NOZZLES ARE FIELD INSTALLED BY CERTIFIED TECHNICIANS.
- FIRE SUPPRESSION SYSTEM IS INTERLOCKED WITH THE FIRE ALARM SYSTEM TO SHUT DOWN POWER TO THE APPLIANCE, AIR CONDITIONING UNITS AND MAKE UP AIR FAN.
- PROVIDE HIGH EFFICIENCY ALUMINUM FIBER GLASS MODEL #1 FOR GH-1 AND GH-2.
- PROVIDE (6) FLAME GARD RECESSED LED MODEL L67-1064-30N FOR GH-1 AND PROVIDE (2) FLAME GARD MODEL L67-1064-30N FOR GH-2.
- PROVIDE UTILITY CABINET FOR MELNIX HOOD CONTROL. MOUNT ON THE LEFT END OF GH-1.
- GREASE HOOD SYSTEM SHALL BE MANAGED VIA THE MELNIX HOOD CONTROLLER. SEE MELNIX DRAWINGS FOR HOOD CONTROL SYSTEM INSTALLATION DETAILS.
- PROVIDE (2) MOUNTED CONTROLLER. SEE M-1 FOR MOUNTING LOCATION. PROVIDE VFD FOR MAU-1 AND MAU-2 CONTROLLER SHALL PROVIDE 10V SIGNAL TO VARY F-1 AND F-2 VARIABLE SPEED MOTORS.
- WASH GH-1 WITH MELNIX SKIRT ONLY.
- PROVIDE SUPPLEMENTAL SYSTEM FOR SPACES BASED ON AN OVERLAP COVERAGE DESIGN.
- GREASE HOOD FIRE SUPPRESSION SYSTEM SHALL COMPLY WITH THE REQUIREMENTS OF NFPA 96, 2006 EDITION. SEE SECTION 5.0 FOR COMMERCIAL COOKING OPERATIONS.

AC-1 SCHEDULE		
ITEM	UNITS	NUMBER
UNIT DESIGNATION	-	AC-1
LOCATION	-	SALES FLOOR
MANUFACTURER	-	SEASONS 4
MODEL NUMBER	#	1H1C37-0066-TN6-0.20SE
WEIGHT	POUNDS	13,200
DESIGN DATA	-	-
SUMMER OA DB / WB / WS	FDB / FWS / GR/LBA	94.0 / 75.0 / 118
RETURN AIR VOLUME	CFM	15,000
OUTSIDE AIR VOLUME (MIN / MAX)	CFM	5,000
SUPPLY AIR VOLUME	CFM	20,000
SUPPLY AIR FAN	-	-
FAN SPEED	RPM	1,140
EXT. STATIC PRESSURE	IN. W.C.	1.75
TOTAL STATIC PRESSURE	IN. W.C.	4.30
POWER	HP	25.00
BRAND HORSE POWER	#	18.0
NUMBER / SIZE	# / DIA	1 / 13.37
FAN TYPE / CLASS	# / DIA	AF SWIS PLENUM / B
MOTOR DRIVE	-	DIRECT DRIVE W/ VFD
CONDENSER FAN	-	-
NUMBER OF FANS	#	6
FAN SPEED	RPM	1,140
POWER	HP	1.0
FAN SIZE	# / DIA	30"
FAN TYPE / CLASS	-	PROPELLER
COOLING SYSTEM 1 - DEHUMIDIFICATION	-	-
TOTAL CAPACITY	BTUH	251,576
SENSIBLE CAPACITY	BTUH	131,487
CONDITIONED AIR	CFM	5,000
COIL CIRCUITS	#	1
FACE AREA	SQ. FT.	16.7
ROWS / FPI	# / #IN	8 / 10.0
EAT DB / WB	F / F	72.0 / 60.1
LAT DB / WB	F / F	46.1 / 45.9
COIL PRESSURE DROP	IN. WC	0.53
COOLING SYSTEM 2 - PRECOOL	-	-
TOTAL CAPACITY	BTUH	214,000
SENSIBLE CAPACITY	BTUH	138,561
CONDITION AIR VOLUME	CFM	5,000
COIL CIRCUITS	#	1
FACE AREA	SQ. FT.	13.2
ROWS / FPI	# / #IN	3 / 10.0
EAT DB / WB	F / F	84.0 / 75.0
LAT DB / WB	F / F	68.9 / 63.3
COIL PRESSURE DROP	IN. WC	0.20
COOLING SYSTEM 3 - RETURN AIR	-	-
TOTAL CAPACITY	BTUH	291,440
SENSIBLE CAPACITY	BTUH	154,193
CONDITION AIR BY-PASS AIR	CFM	17,000
COIL CIRCUITS	#	1
FACE AREA	SQ. FT.	18.8
ROWS / FPI	# / #IN	8 / 10.0
EAT DB / WB	F / F	72.0 / 60.1
LAT DB / WB	F / F	46.3 / 47.7
COIL PRESSURE DROP	IN. WC	0.64
CONDENSER FAN	-	-
NUMBER OF FANS	#	1
FACE AREA	SQ. FT.	1
ROWS / FPI	# / #IN	4 / 12.0
DESIGN AMBIENT TEMPERATURE	F	95.0

ITEM - CONT'D.	UNITS - CONT'D.	NUMBER - CONT'D.
SYSTEM 1 COMPRESSOR - DEHUMID.	-	-
QUANTITY	#	2
POWER	HP	(2) 18.0
MFG / TYPE	#	COPELAND / SCROLL
MODEL	#	2P120KCE / 2P120KCE
SYSTEM 2 COMPRESSORS - PRECOOL	-	-
QUANTITY	#	2
POWER	HP	(2) 7.5
MFG / TYPE	#	COPELAND / SCROLL
MODEL	#	2P191KCE
SYSTEM 3 COMPRESSORS - RETURN AIR	-	-
QUANTITY	#	2
POWER	HP	(2) 18.0
MFG / TYPE	#	COPELAND / SCROLL
MODEL	#	2P120KCE
O/A FILTERS	-	-
TYPE	-	2" PLEATED - MERV-8
NUMBER / SIZE	# / INXIN	5 / 16X25
PRESSURE DROP	IN WC	0.5
R/A FILTERS	-	-
TYPE	-	2" PLEATED - MERV-8
NUMBER / SIZE	# / INXIN	10 / 16X20, 10 / 16X25
PRESSURE DROP	IN WC	0.5
GAS HEAT	-	-
TYPE	-	ALR AIR
INPUT CAPACITY	BTUH	10,000
OUTPUT CAPACITY	BTUH	75.0 / 200,000
CONDITIONED AIR	CFM	20,000
BYPASS AIR	#	7.00
CONDITIONED AIR TR STAGING	F / F	0.75 / 0.81
GAS CONNECTION	-	-
WATER CONNECTION	-	-
RECLAIM CAPACITY	BTUH	500,800
NW CAPACITY	BTUH	400,910
FLOOR TO WATER	GPM / CFM	75.0 / 200,000
WATER PRESSURE DROP	F / F	85.0 / 8.8
WATER PRESSURE DROP	F / F	85.0 / 8.8
COIL CIRCUITS	#	1
FACE AREA	SQ. FT.	32.5
ROWS / FPI	# / #IN	4 / 10.0
EAT DB / WB	F / F	58.7 / 7.2
LAT DB / WB	F / F	0.47
COIL PRESSURE DROP	IN. WC	0.47
WATER RETURN CONNECTION	IN / IN	2.50" / 2.50"
ELECTRICAL REQUIREMENTS	-	-
UNIT POWER	VOLTS / PH / HZ	208 / 3 / 60
CONTROL CIRCUIT POWER	VOLTS / PH / HZ	120 / 1 / 60
FULL LOAD AMPS	AMPS	3.3
SUPPLY FAN	AMPS	70.0
CONDENSER FAN	AMPS	4.2 EA X 6 = 25.2
SYSTEM 1 DEHUMID. COMPRESSOR	AMPS	33.3
SYSTEM 1 DEHUMID. (TDM)	AMPS	33.3
SYSTEM 2 PRE-COOL	AMPS	27.6 EA X 2 = 55.2
SYSTEM 3 RETURN AIR	AMPS	34.6 EA X 2 = 69.0
CONTROL TRANSFORMER AMPS	AMPS	14.4
UNIT FLA (COOL / HEAT)	AMPS	289.1 / 64.4
UNIT MCA	AMPS	317
UNIT MOCF	AMPS	350
EEER / IEER	WT/BTUH	11.4 / 11.8



VARIABLE VOLUME BOX SCHEDULE					
UNIT	TALAIRS BRAND	CFM	MIN. CFM	NOM. STATIC PRESSURE	LOCATION
V-1	BP500	90	90	0.02 in-wg	TRAINING
V-2	BP500	200	90	0.02 in-wg	STORE MANAGER
V-3	BP510	400	120	0.02 in-wg	GENERAL OFFICE
V-4	BP510	300	90	0.02 in-wg	CASH ROOM
V-5	BP500	100	30	0.02 in-wg	PHARM WAITING
V-6	BP500	150	45	0.02 in-wg	CONSULTING
V-7	BP512	1500	450	0.02 in-wg	PHARMACY

- SUPPLY ALL UNITS WITH 24V AC ACTUATORS. POWER IS FROM THE EMS
- BOXES SUPPLIED AND INSTALLED BY THE MECHANICAL CONTRACTOR
- BOXES SHALL BE MOUNTED WITHIN 2" OF THE CEILING
- ALL VAV MOTORS SHALL BE EQUIPPED WITH KMC MODEL #MEP-5063-18 DEGRWIN ACTUATOR.
- SHOULD THE MECHANICAL CONTRACTOR DEVIATE FROM PUBLIX PLANS, THEY SHALL BE RESPONSIBLE TO ENSURE THE DUCTWORK WILL SUPPORT EQUIPMENT INSTALLED AND THE DUCTWORK SHOP DRAWINGS ARE COORDINATED WITH THE SELECTED EQUIPMENT.

TEMPERED MAKE-UP AIR SCHEDULE (MSX)									
UNIT</									