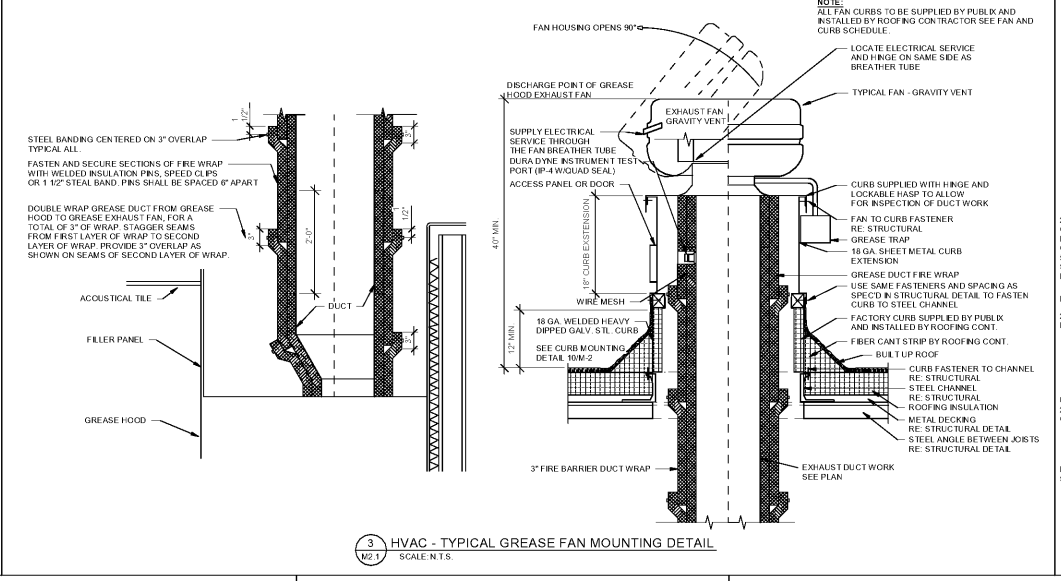
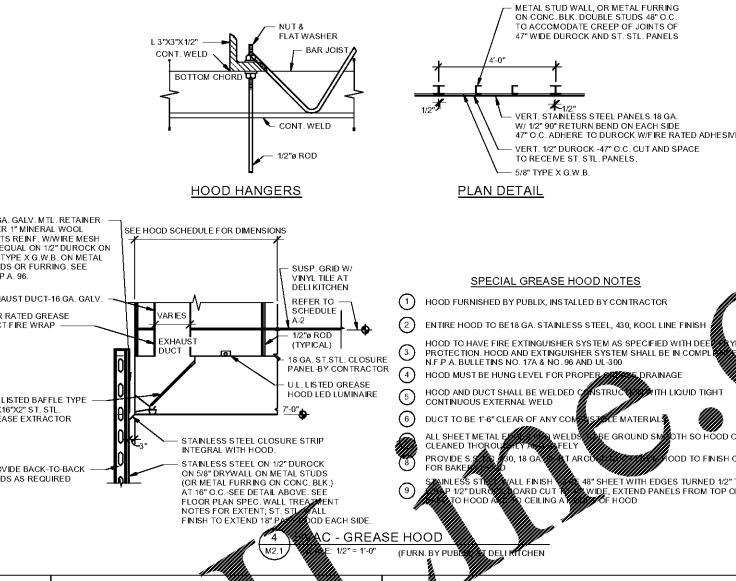


1 HVAC - RETURN AIR REGISTER DETAIL  
SCALE: N.T.S.  
FIBERGLASS INSULATION, WRAP COMPLETELY AROUND TRUNK DUCT DROP GRILLE AS SHOWN. TAPE AND STAPLE PER SPECS AND DUCT WRAPPING DETAIL.  
SEAL ALL SEAMS AROUND CONNECTION WITH MASS FIBERGLASS AND MASTIC.  
SEAL ALL DUCT JOINTS AND SEAMS AS PER WRAPPING DETAIL. PAINT SMOOTH AND FILL ALL PIN HOLES ON ALL CONNECTIONS.  
ALL DUCTS SHALL BE SUPPORTED IN AN APPROVED MANNER. REFER TO TABLE AND DETAIL.  
FOUR (4) #8 x 1/2" SHEET METAL DRILL SCREWS AS MANUFACTURED BY DUCO DYNE (M CODE NUMBER 180) FOR APPROVED EQUAL, TYPICAL EACH POINT OF CONNECTION.  
LAY-IN CEILING AND GRID.  
TEMPERATURE SENSOR, FURNISHED BY PUBLIX. INSTALLED BY MECHANICAL CONTRACTOR.

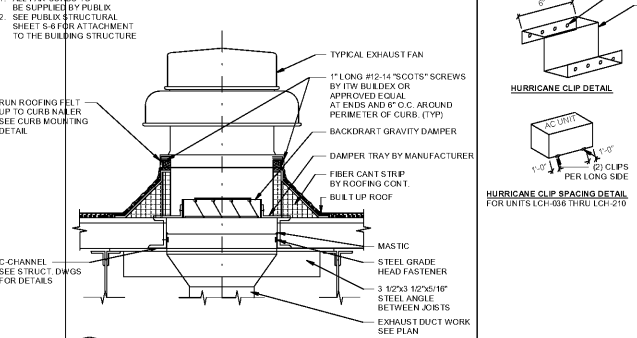


3 HVAC - TYPICAL GREASE FAN MOUNTING DETAIL  
SCALE: N.T.S.  
NOTE: ALL FAN CURBS TO BE SUPPLIED BY PUBLIX AND INSTALLED BY ROOFING CONTRACTOR. SEE FAN AND CURB SCHEDULE.  
LOCATE ELECTRICAL SERVICE AND HINGE ON SAME SIDE AS BREAKER TRAY.  
TYPICAL FAN - GRAVITY VENT.  
CURB SUPPLIED WITH HINGE AND LOCKABLE FLAP TO ALLOW INSPECTION OF DUCT WORK.  
FAN TO CURB FASTENER RE: STRUCTURAL.  
GREASE TRAP.  
18 GA. SHEET METAL CURB EXTENSION.  
GREASE DUCT FIRE WRAP.  
USE SAME FASTENERS AND SPACING AS SPEC'D IN STRUCTURAL DETAIL. TO FASTEN CURB TO STRUCTURAL.  
FACTORY CURB SUPPLIED BY PUBLIX AND INSTALLED BY ROOFING CONTRACTOR.  
FIBERGLASS INSULATION RE: STRUCTURAL DETAIL.  
METAL DECKING.  
CURB FASTENERS TO CHANNEL RE: STRUCTURAL.  
STEEL CHANNEL RE: STRUCTURAL.  
ROOFING INSULATION RE: STRUCTURAL DETAIL.  
STEEL ANGLE BETWEEN JOISTS RE: STRUCTURAL DETAIL.  
EXHAUST DUCT WORK SEE PLAN.  
EXHAUST FAN GRAVITY VENT.  
SUPPLY ELECTRICAL SERVICE THROUGH THE FAN SERVICE TRIP (DURA DYN INSTRUMENT TEST PORT OR W/ADJ. SEAL). ACCESS PANEL OR DOOR.  
DISCHARGE POINT OF GREASE HOOD EXHAUST FAN.  
FAN HOUSING OPENS 90°.  
WIRE MESH.  
18 GA. WELDED HEAVY DIPPED GALV. ST. CURB. SEE CURB MOUNTING DETAIL 10M-2.  
3" FIRE BARRIER DUCT WRAP.

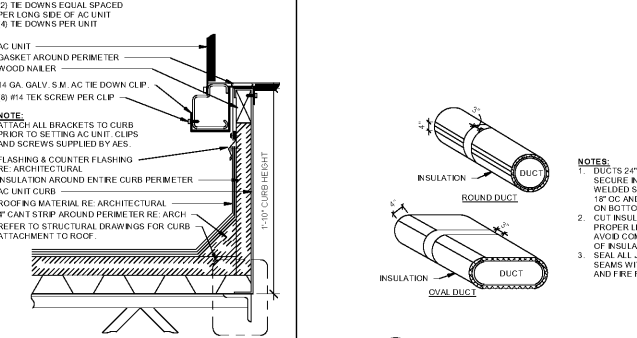


4 HOOD HANGERS  
SCALE: N.T.S.  
22 GA. GALV. MTL. RETAINER OVER 1" MINERAL WOOL BATT. REIN. W/ WIRE MESH OR EQUAL ON 1/2" DUROCK ON 5/8" TYPE X G.W.B. ON METAL STUDS OR FURRING. SEE N.F.P.A. 96.  
2 HR. RATED GREASE DUCT FIRE WRAP.  
U.L. LISTED BAFFLE TYPE 20"x16"x20" ST. ST. GREASE EXTRACTOR.  
PROVIDE BACK-TO-BACK STUDS AS REQUIRED.  
SEE HOOD SCHEDULE FOR DIMENSIONS.  
SURF. GRID W/ VENT. TILE AT DELIKITCHEN.  
REFER TO SCHEDULE A-2.  
12" ROD (TYPICAL).  
18 GA. ST. ST. CLOSURE PANEL BY CONTRACTOR.  
U.L. LISTED GREASE HOOD LUMINAIRE.  
7" DIA.  
STAINLESS STEEL CLOSURE STRIP INTERIOR WITH HOOD.  
ON 5/8" BAY WALL ON METAL STUDS (OR METAL FURRING ON CONC. BLK.) AT 16" O.C. SEE DETAIL ABOVE. SEE FLOOR PLAN SPEC. WALL TREATMENT NOTES FOR EXTENT. ST. ST. FINISH TO EXTEND 18" PAST HOOD EACH SIDE.  
U.L. LISTED BAFFLE TYPE 20"x16"x20" ST. ST. GREASE EXTRACTOR.  
FURN. BY PUBLIX AT DELIKITCHEN.

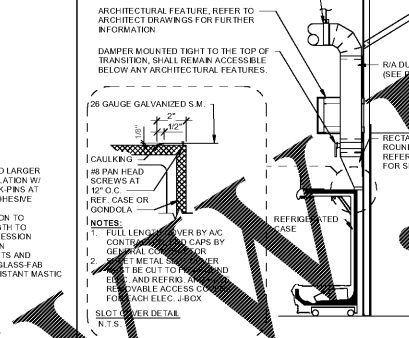
5 SPECIAL GREASE HOOD NOTES  
1 HOOD FURNISHED BY PUBLIX, INSTALLED BY CONTRACTOR.  
2 ENTIRE HOOD TO BE 18 GA. STAINLESS STEEL, 400, KOOL LINE FINISH.  
3 HOOD TO HAVE FIRE EXTINGUISHER SYSTEM AS SPECIFIED WITH DEEP FRYER PROTECTION HOOD AND EXTINGUISHER SYSTEM SHALL BE IN COMPLIANCE WITH N.F.P.A. BULLETINS NO. 17A & NO. 96 AND U.L. 300.  
4 HOOD MUST BE HUNG LEVEL FOR PROPER DRAINAGE.  
5 HOOD AND DUCT SHALL BE WELDED CONSTRUCTION WITH LIQUID TIGHT CONTROLS EXTERNAL WELD.  
6 DUCT TO BE 1/4" CLEAR OF ANY COMBUSTIBLE MATERIALS.  
7 ALL SHEET METAL EDGES AND WELDS TO BE GRIND SMOOTH SO HOOD CAN BE CLEANED THOROUGHLY AND SAFELY.  
8 PROVIDE 5 S.S. NO. 430, 18 GA. SIEVE ARROUND DUCT TO FINISH CEILING HOOD TO FINISH CEILING FOR BARKEN.  
9 STAINLESS ST. WALL FINISH TO BE 48" SHEET WITH EDGES TURNED 12" TO 12" DURUM BOARD CUT TO 48" WIDE. EXTEND PANELS FROM TOP OF HOOD TO CEILING A-1.



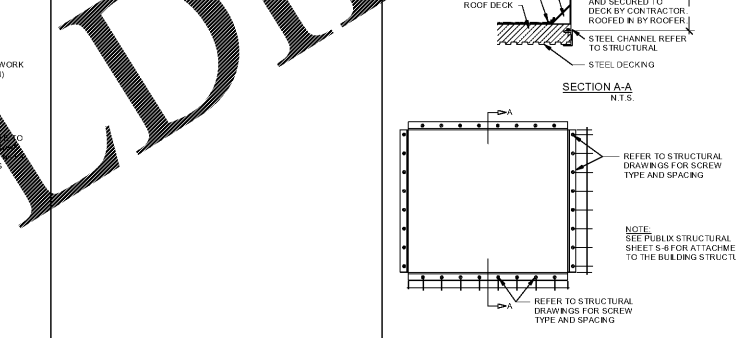
5 HVAC - TYPICAL FAN MOUNTING DETAIL  
SCALE: N.T.S.  
NOTE: ALL FAN CURBS TO BE SUPPLIED BY PUBLIX. SEE PUBLIX STRUCTURAL SHEET S-8 FOR ATTACHMENT TO THE BUILDING STRUCTURE.  
RUN ROOFING FELT UP TO CURB NAILER. SEE CURB MOUNTING DETAIL.  
TYPICAL EXHAUST FAN.  
1" LONG #12-14 "500" IS" SCREWS BY TWB BULK OR APPROVED EQUAL AT ENDS AND 6" O.C. AROUND PERIMETER OF CURB. (TYP).  
BACKDRIFT GRAVITY DAMPER.  
DAMPER TRAY BY MANUFACTURER.  
FIBERGLASS INSULATION RE: ARCHITECTURAL.  
4" CANT STRIP BY ROOFING CONTRACTOR.  
BUILT UP ROOF.  
MASTIC.  
5 STEEL GRADE HEAD FASTENERS.  
3 1/2"x3 1/2"x1/4" 16" STEEL ANGLE BETWEEN JOISTS.  
EXHAUST DUCT WORK SEE PLAN.  
C-CHANNEL SEE STRUCT. DRAWG. FOR DETAILS.



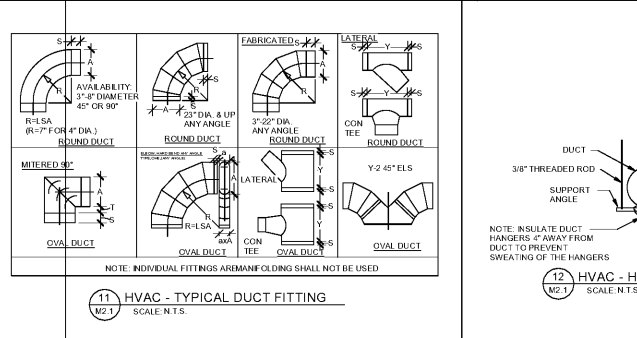
6 HVAC - AC UNIT & CURB INSTALLATION DETAIL  
SCALE: N.T.S.  
5/16" HOLES FOR (8) #14 TEK SCREWS.  
(2) THE DOWNS EQUAL SPACED PER LONG SIDE OF AC UNIT.  
(6) THE DOWNS PER UNIT.  
AC UNIT.  
GASKET AROUND PERIMETER WOOD NAILER.  
14 GA. GALV. S.M. AC THE DOWN CLIP.  
(8) #14 TEK SCREW PER CLIP.  
NOTE: ATTACH ALL BRACKETS TO CURB PRIOR TO SETTING AC UNIT. CLIPS AND SCREWS SUPPLIED BY AES.  
FLASHING & COUNTER FLASHING RE: ARCHITECTURAL.  
INSULATION AROUND ENTIRE CURB PERIMETER.  
AC UNIT CURB.  
4" CANT STRIP AROUND PERIMETER RE: ARCHITECTURAL.  
ROOFING MATERIAL RE: ARCHITECTURAL.  
ATTACHMENT TO ROOF.  
1 1/4" CURB HEIGHT.  
HURRICANE CLIP DETAIL.  
HURRICANE CLIP SPACING DETAIL.  
FOR UNITS 1.5 TON THROUGH 3.5 TON.  
PER LONG SIDE.  
CLIPS PER LONG SIDE.



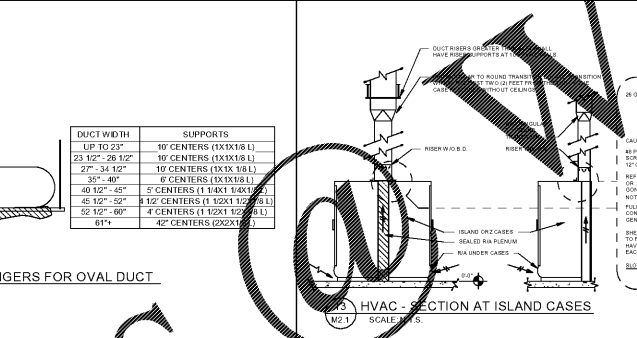
7 HVAC - TYP DUCT WRAPPING DETAIL  
SCALE: N.T.S.  
NOTE: DUCTS 2" AND LARGER SECURE INSULATION W/ WELDED STICK PINS AT 18" O.C. AND ADHESIVE ON BOTTOM.  
CUT INSULATION TO PROPER LENGTH TO AVOID COMPRESSION OF INSULATION.  
SEAL ALL JOINTS AND SEAMS WITH GLASS-FAB AND FIRE RESISTANT MASTIC.  
FURNISH AND INSTALL DUCT HANGER AT THE ELBOW OR HORIZONTAL DUCT CONNECTION TO THE ROOF SUPPORT SYSTEM. SECURE HANGER TO THE ROOF SUPPORT SYSTEM.  
ARCHITECTURAL FEATURE. REFER TO ARCHITECT DRAWINGS FOR FURTHER INFORMATION.  
DAMPER MOUNTED TIGHT TO THE TOP OF TRANSITION, SHALL REMAIN ACCESSIBLE BELOW ANY ARCHITECTURAL FEATURES.  
28 GAUGE GALV/VANDED S.M.  
CALCULATING: 18 PAN HEAD SCREWS AT 12" O.C. AND 1/2" DIA. METAL STUDS OR REF. CASE OR CONDUIT.  
NOTES: 1. FULL LENGTH COVER BY AC CONTRACTOR TO BE KEPT BY CONTRACTOR FOR REPAIRS.  
2. USE METAL STUDS OR REF. CASE OR CONDUIT.  
3. REFER TO ARCHITECTURAL DRAWINGS FOR ACCESSIBLE BELOW ANY ARCHITECTURAL FEATURES.  
SLOT COVER DETAIL.



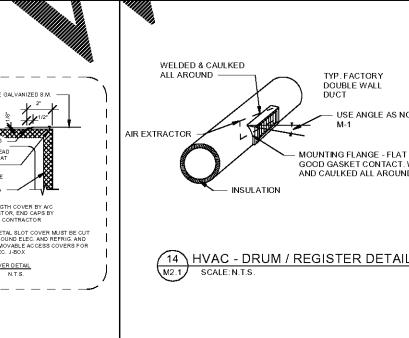
10 HVAC - FAN CURB MOUNTING DETAIL  
SCALE: N.T.S.  
CANT STRIP.  
BUILT UP ROOF.  
INSULATED ROOF DECK.  
ROOF CURB LOCATED AND SECURED TO DECK BY CONTRACTOR. ROOFED IN BY ROOFERS.  
STEEL CHANNEL REFER TO STRUCTURAL DRAWINGS FOR SCREW TYPE AND SPACING.  
STEEL DECKING.  
REFER TO STRUCTURAL DRAWINGS FOR SCREW TYPE AND SPACING.  
NOTE: REFER TO STRUCTURAL DRAWINGS FOR SCREW TYPE AND SPACING.  
REFER TO STRUCTURAL DRAWINGS FOR SCREW TYPE AND SPACING.



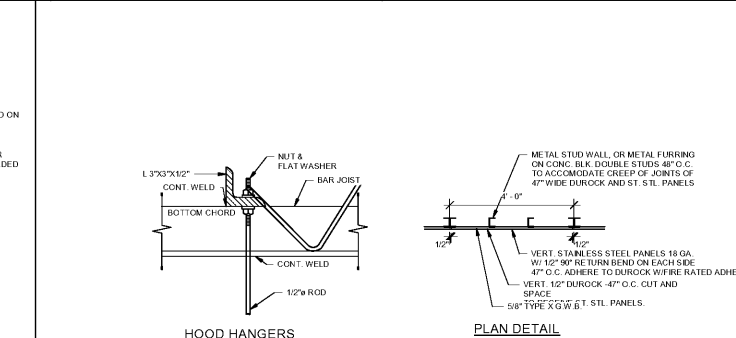
11 HVAC - TYPICAL DUCT FITTING  
SCALE: N.T.S.  
NOTE: INDIVIDUAL FITTINGS ARE MANUFACTURED BY PUBLIX. REFER TO PUBLIX STRUCTURAL SHEET S-8 FOR ATTACHMENT TO THE BUILDING STRUCTURE.



12 HVAC - HANGERS FOR OVAL DUCT  
SCALE: N.T.S.  
DUCT WIDTH SUPPORTS:  
UP TO 23" 16" CENTERS (16X16 @ 16")  
23 1/2" - 28 1/2" 16" CENTERS (16X16 @ 16")  
27" - 34 1/2" 16" CENTERS (16X16 @ 16")  
35" - 40" 16" CENTERS (16X16 @ 16")  
40 1/2" - 45" 16" CENTERS (16X16 @ 16")  
45 1/2" - 50" 16" CENTERS (16X16 @ 16")  
50 1/2" - 56" 16" CENTERS (16X16 @ 16")  
56" - 61" 16" CENTERS (16X16 @ 16")  
61" - 67" 16" CENTERS (16X16 @ 16")  
2" DIA. OVAL DUCT.  
3/8" THREADED ROD.  
SUPPORT ANGLE.  
NOTE: INSULATE DUCT HANGERS 4" AWAY FROM DUCT TO PREVENT SWEATING OF THE HANGERS.

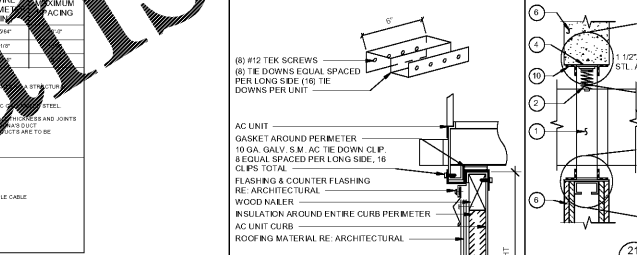


13 HVAC - SECTION AT ISLAND CASES  
SCALE: N.T.S.  
WELDED & CALKED ALL AROUND.  
TYP. FACTORY FURNISHED WALL DUCT.  
USE ANGLE AS NOTED ON M-1.  
AIR EXTRACTOR.  
INSULATION.  
MOUNTING FLANGE - FLAT FOR GOOD CONTACT. WELDED AND CALKED ALL AROUND.

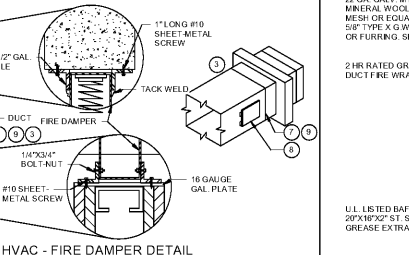


14 HVAC - DRUM / REGISTER DETAIL  
SCALE: N.T.S.  
METAL STUD WALL OR METAL FURRING ON CONC. BLK. DOUBLE STUDS 48" O.C. TO ACCOMMODATE CREEP OF JOISTS OF 47" WIDE DUROCK AND ST. STL. PANELS.  
VERT. 1/2" DUROCK 47" O.C. CUT AND SPACE TO RECEIVE ST. STL. PANELS.  
5/8" TYPE X G.W.B. ST. STL. PANELS.

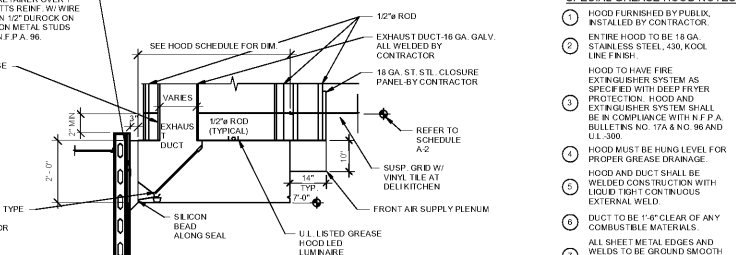
Table with columns: DUCT DIAMETER, ROUND HANGERS, STRAP HANGERS, MAXIMUM SPACING, NUMBER OF HANGERS(S). Lists various duct sizes and corresponding hanger specifications.



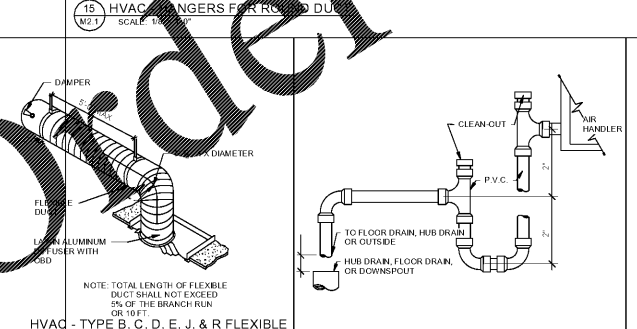
15 HVAC - FIRE DAMPER DETAIL  
SCALE: N.T.S.  
NOTE: THE FIRE DAMPER MANUFACTURER'S INSTALLATION DETAILS AND INSTRUCTIONS AS THEY READ AND APPROVED BY U.I. MUST BE USED IN LIEU OF THE ABOVE DETAILS WHERE APPLICABLE.  
FUSIBLE LINK (160°).  
REFER TO SMACNA, N.F.P.A. AND MANUFACTURER'S RECOMMENDATIONS FOR CLEARANCE REQUIREMENTS FOR DAMPER SLEEVES WITH A WALL OPENING ARE BASED ON 1/8" PER FOOT OF WIDTH (OR HEIGHT) UNLESS OTHERWISE STATED IN THE ASSEMBLY. COORDINATE WITH CONTRACTOR THE PULFIRE FRAME OPENING IN STUO FRAME RATED WALLS PRIOR TO INSTALLATION DAMPER AND SLEEVE.  
MULTIPLE DUCTS PENETRATING A SECTION OF RATED WALL SHALL HAVE A MINIMUM CLEARANCE OF SIX (6) INCHES BETWEEN DUCTS.  
FIRE RATED WALL. REFER TO ARCHITECTURAL DRAWINGS FOR WALL CONSTRUCTION AND RATING.  
CONNECT DUCT TO SLEEVE USING "UL" APPROVED BREAKAWAY TYPE CONNECTION OR A BREAKAWAY STYLE TRANSVERSE JOINT AS TESTED AND APPROVED BY SIMONDA.  
THE 18 GAUGE GALVANIZED STEEL SLEEVE SHALL EXTEND A MAXIMUM OF BEYOND THE WALL. BREAKAWAY CONNECTIONS SHALL CONNECT TO THE DAMPER SLEEVE USING #10 SHEET METAL SCREWS SPACED (2) OR (3) SCREWS PER SIDE OR ROUND DUCT WITH DIAMETER LESS THAN 22" ROUND DUCT GREATER THAN 22" DIAM. WILL REQUIRE (5) SCREWS.  
ACCESS DOOR OR PANEL SHALL BE INSTALLED FOR THE PRESSURE CLASSIFICATION AND CONSTRUCTION STANDARDS REQUIRED AND LARGE ENOUGH TO USE TWO HANDS TO PERMIT MAINTENANCE AND RESETTING OF THE DEVICES.  
PROVIDE TWO ACCESS DOORS IF NECESSARY. THE ACCESS DOOR LOCATION SHALL BE FREE OF OBSTRUCTION AND FULLY ACCESSIBLE.  
AFTER THE SLEEVE HAS BEEN CONNECTED TO THE DUCTWORK WITH THE BREAKAWAY CONNECTIONS AS LISTED ABOVE, AND THE DUCTWORK IS PROPERLY SUPPORTED, REMOVE THE CONSTRUCTION SCREWS FROM THE BREAKAWAY CONNECTIONS. SEAL DUCTWORK AND INSULATE WHERE REQUIRED.  
PROVIDE 18 GAUGE STEEL RAINING ANGLES WITH A MINIMUM 1/2"x1/2"x1/2" LEGS FOR STUO WALLS THE ANGLE IS ATTACHED TO THE WALL AND DAMPER FRAME USING #10 SHEET METAL SCREWS. TACK WELDED OR 1/2" DIA. AND NUT. USE DUCT SELF TAPPING CONCRETE SCREWS FOR MASONRY WALLS. SPACE SCREWS OR WELDS A MAXIMUM OF 6" ON CENTER AND MAXIMUM OF 27" FROM CORNERS.



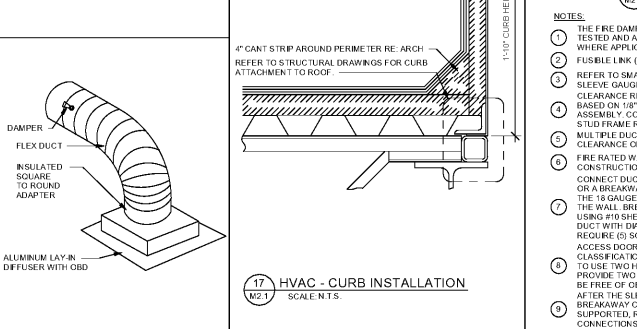
17 HVAC - CURB INSTALLATION  
SCALE: N.T.S.  
4" CANT STRIP AROUND PERIMETER RE: ARCHITECTURAL.  
ROOFING MATERIAL RE: ARCHITECTURAL.  
ATTACHMENT TO ROOF.  
1 1/4" CURB HEIGHT.  
INSULATION AROUND ENTIRE CURB PERIMETER.  
AC UNIT CURB.  
FLASHING & COUNTER FLASHING RE: ARCHITECTURAL.  
WOOD NAILER.  
GASKET AROUND PERIMETER.  
10 GA. GALV. S.M. AC THE DOWN CLIP.  
16 CLIPS TOTAL.  
FLASHING & COUNTER FLASHING RE: ARCHITECTURAL.  
AC UNIT CURB.  
ROOFING MATERIAL RE: ARCHITECTURAL.



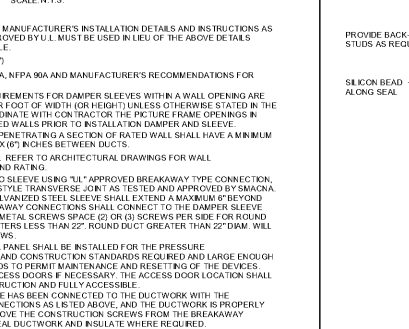
22 HVAC - GREASE HOOD WITH FRONT SUPPLY PLENUM  
SCALE: N.T.S.  
22 GA. GALV. MTL. RETAINER OVER 1" MINERAL WOOL BATT. REIN. W/ WIRE MESH OR EQUAL ON 1/2" DUROCK ON 5/8" TYPE X G.W.B. ON METAL STUDS OR FURRING. SEE N.F.P.A. 96.  
2 HR. RATED GREASE DUCT FIRE WRAP.  
SEE HOOD SCHEDULE FOR DIM.  
EXHAUST DUCT-18 GA. GALV. ALL WELDED BY CONTRACTOR.  
18 GA. ST. ST. CLOSURE PANEL BY CONTRACTOR.  
REFER TO SCHEDULE A-2.  
SURF. GRID W/ VENT. TILE AT DELIKITCHEN.  
REFER TO SCHEDULE A-2.  
12" ROD (TYPICAL).  
18 GA. ST. ST. CLOSURE PANEL BY CONTRACTOR.  
U.L. LISTED GREASE HOOD LUMINAIRE.  
7" DIA.  
STAINLESS STEEL CLOSURE STRIP INTERIOR WITH HOOD.  
ON 5/8" BAY WALL ON METAL STUDS (OR METAL FURRING ON CONC. BLK.) AT 16" O.C. SEE DETAIL ABOVE. SEE FLOOR PLAN SPEC. WALL TREATMENT NOTES FOR EXTENT. ST. ST. FINISH TO EXTEND 18" PAST HOOD EACH SIDE.  
U.L. LISTED BAFFLE TYPE 20"x16"x20" ST. ST. GREASE EXTRACTOR.  
PROVIDE BACK-TO-BACK STUDS AS REQUIRED.  
SILICON BEAD ALONG SEAL.



16 HVAC - TYPE B, C, D, E, J, & R FLEXIBLE DUCT DETAIL  
SCALE: N.T.S.  
NOTE: TOTAL LENGTH OF FLEXIBLE DUCT SHALL NOT EXCEED ONE (1) OF THE BRANCH RUN OR 10 FT.



18 HVAC - TYPICAL CONDENSATE DRAIN  
SCALE: N.T.S.  
DAMPER.  
FLEX DUCT.  
INSULATED SQUARE TO ROUND ADAPTER.  
ALUMINUM LAY-IN DIFFUSER WITH GGD.



19 HVAC - TYPE I, L, & M DIFFUSERS  
SCALE: N.T.S.

PLOT DATE: August 21 2018. Table with columns: No., Description, Date.

STORE NUMBER: 1687. Tattersall Park. US 280 & Highway 19 Hoover, Shelby Co., AL.

48.10. 1/8/18. SIENNA LITE.

HVAC DETAILS.

As indicated.

M2.1

