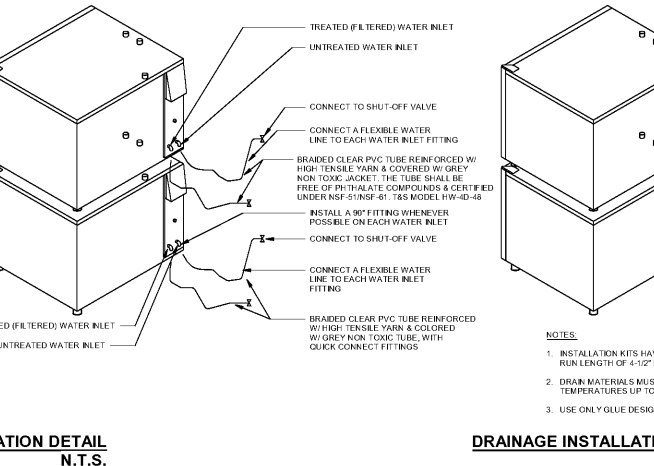
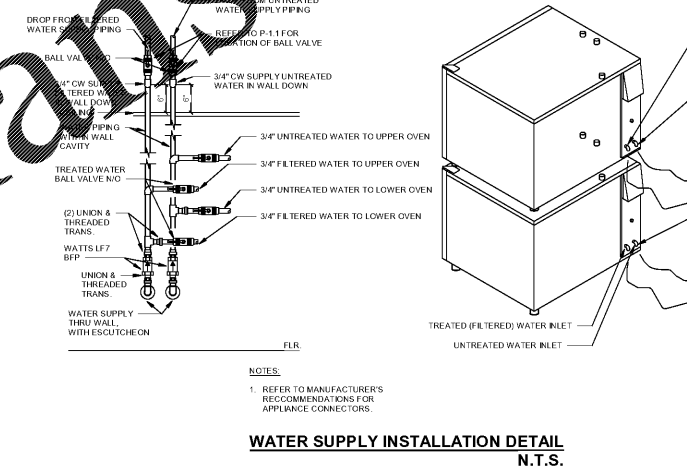
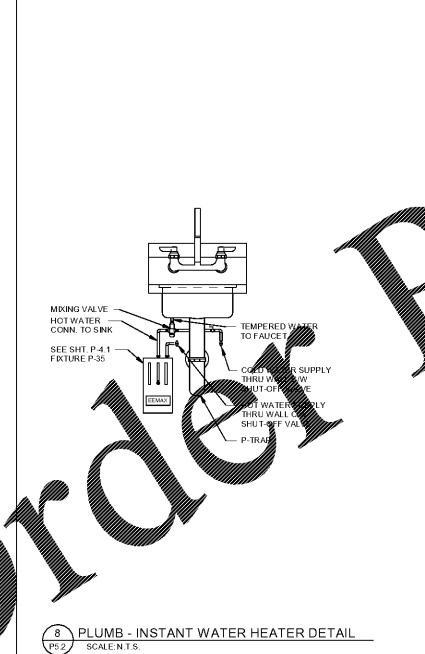
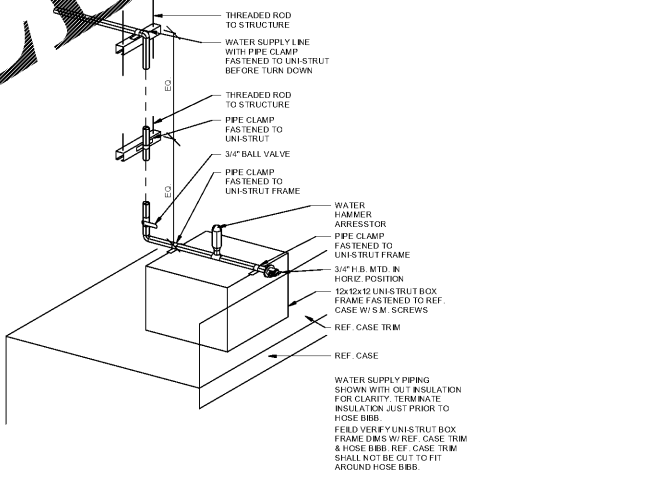
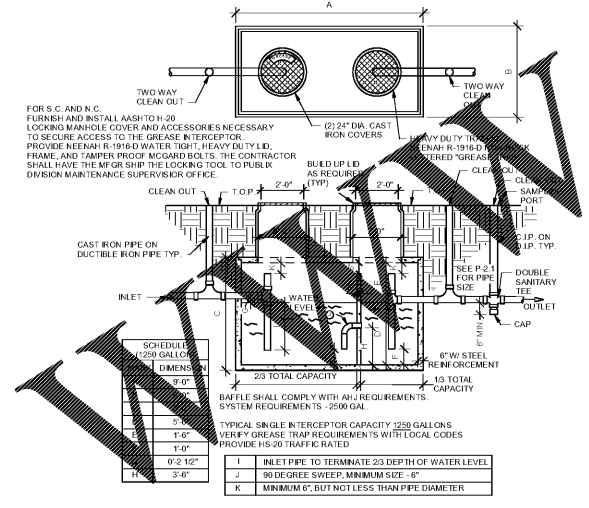
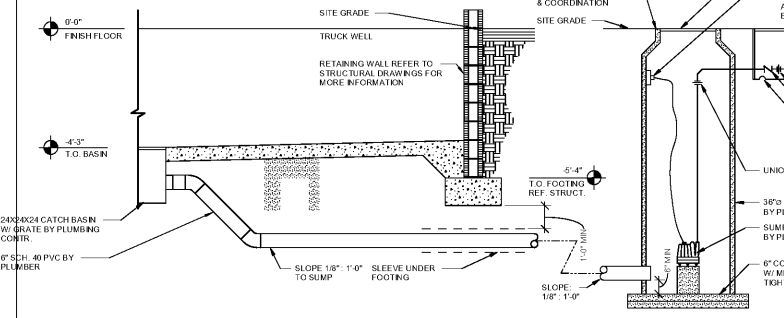


1 PLUMB - NOT USED
N.T.S.



PLOT DATE:
August 21 2018

No.	Description	Date

STORE NUMBER
1687
Tattersall Park
US 280 & Highway 19
Flopper
Shelby Co., TN
48.10
V814.2018
SIENNA LITE

**PLUMBING
DETAILS**

As indicated
P5.2

Order Plans @