

| No. | Description | Date |
|-----|-------------|------|
| | | |
| | | |
| | | |
| | | |

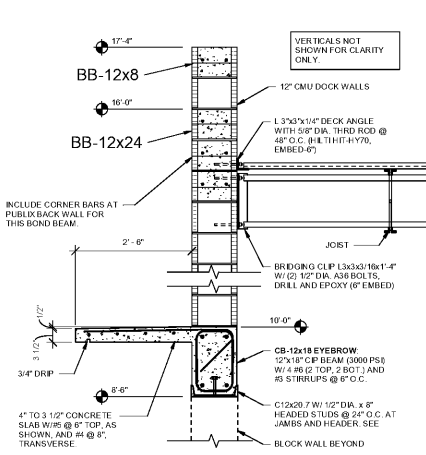
STORE NUMBER
1687
Tattersall Park
US 280 & Highway 19
Floerwer
Shelby Co., AL

48.10
V816.2018
SIENNA LITE

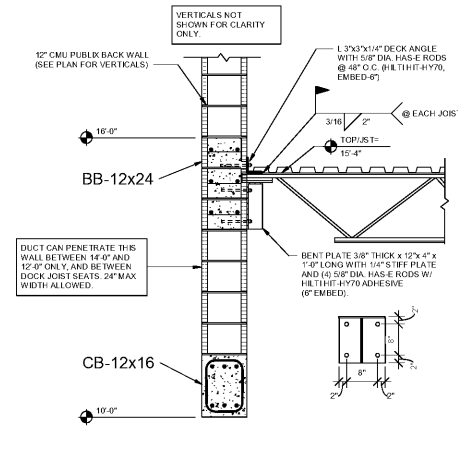
LOADING DOCK
DETAILS

As indicated

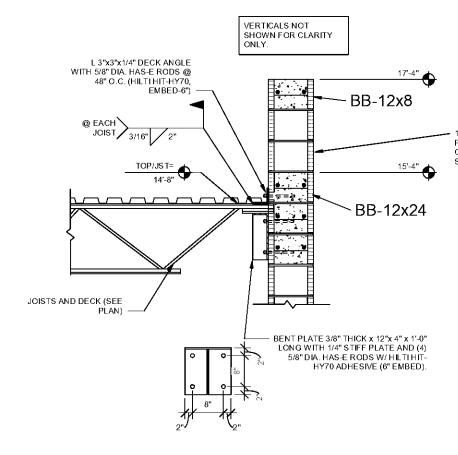
S2.5



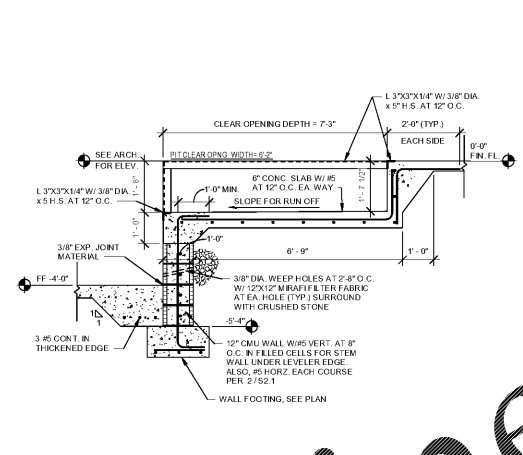
1 SECTION AT DOCK DOOR EYEBROW
SCALE: 3/4" = 1'-0"



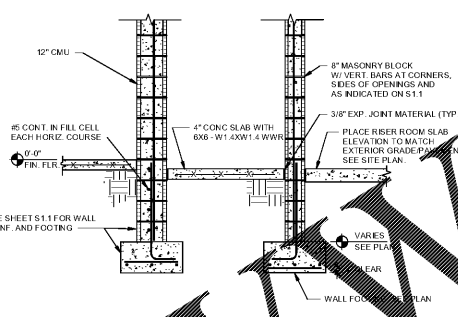
2 SECTION AT DOCK OPENING
SCALE: 3/4" = 1'-0"



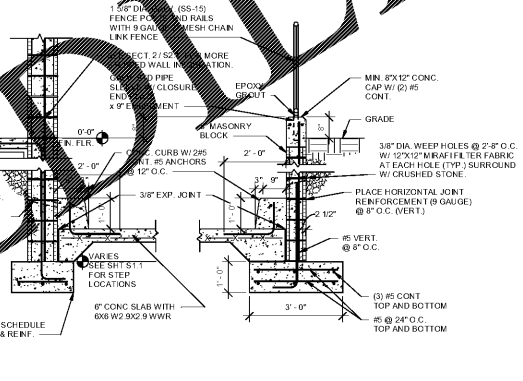
3 SECTION AT ENCLOSED DOCK
SCALE: 3/4" = 1'-0"



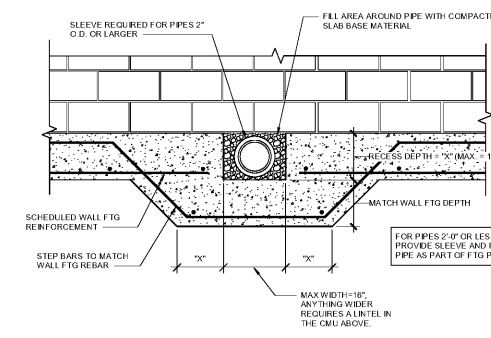
4 DOCK LEVELER
SCALE: 1/2" = 1'-0"



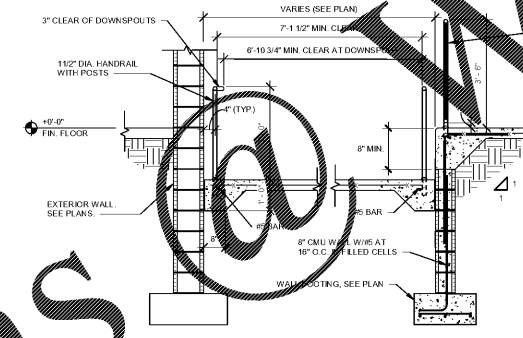
7 SECTION DOCK RISER ROOM
SCALE: 3/4" = 1'-0"



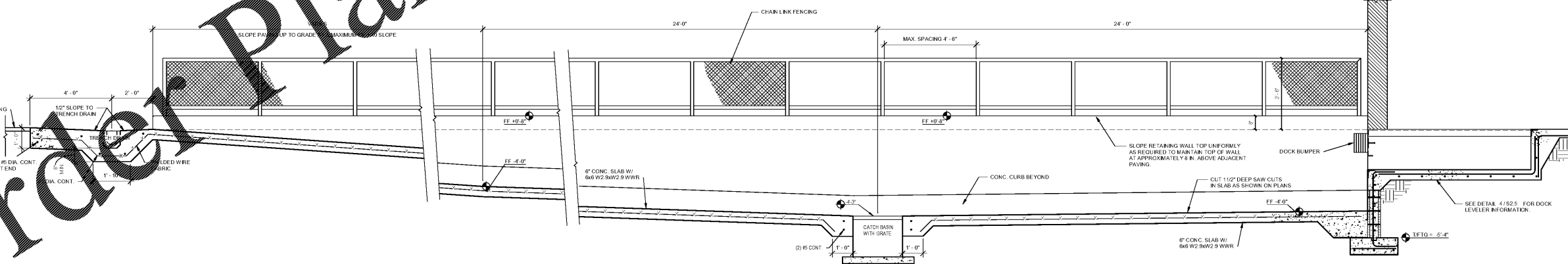
8 SECTION AT TRUCK WELL
SCALE: 1/2" = 1'-0"



9 UTILITY PIPE UNDER CMU WALL FOOTING DETAIL (IF NEEDED)
SCALE: 3/4" = 1'-0"



10 DOCK RAMP (RAISED AREA)
SCALE: 1/2" = 1'-0"



11 TRUCK WELL ELEVATION
SCALE: 1/2" = 1'-0"

Order Plans