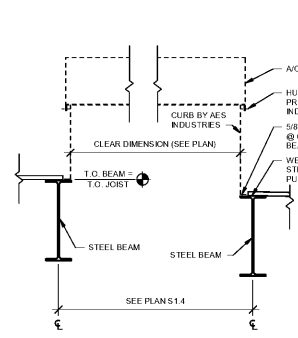
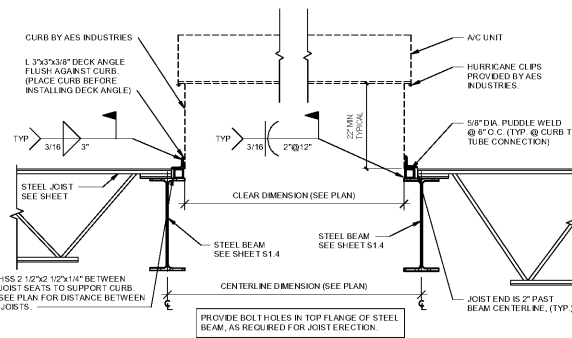


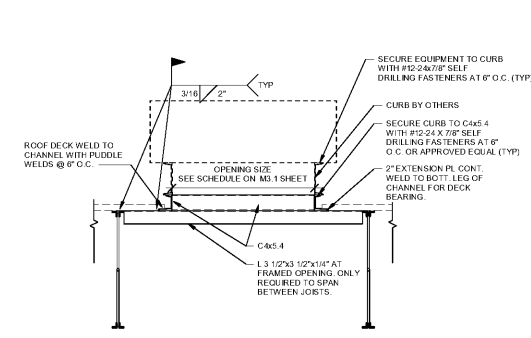
1 SECTION AT AC UNIT
SCALE: 1/2" = 1'-0"



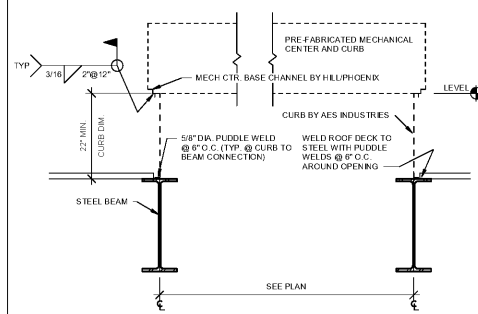
2 SECTION AT LARGE AC UNIT
SCALE: 3/4" = 1'-0"



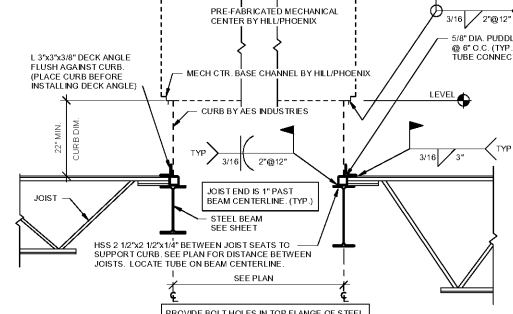
3 SECTION AT LARGE AC UNIT
SCALE: 3/4" = 1'-0"



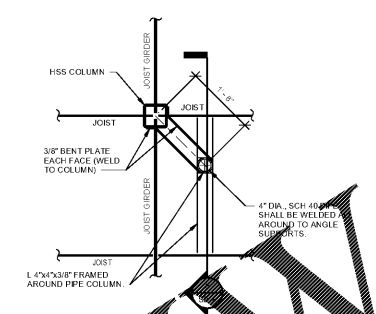
4 SECTION FOR FAN OPENINGS
SCALE: 3/4" = 1'-0"



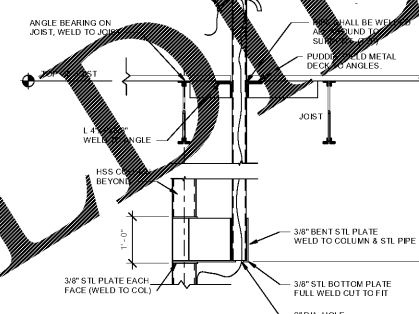
5 SECTION AT MECHANICAL CENTER
SCALE: 3/4" = 1'-0"



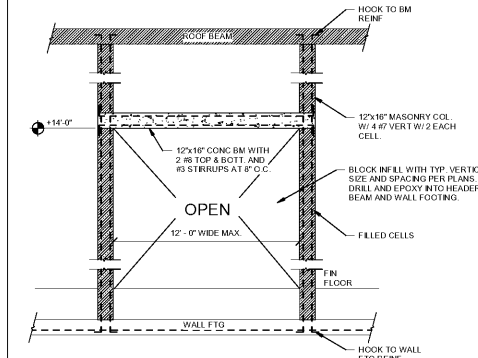
6 SECTION AT MECHANICAL CENTER
SCALE: 3/4" = 1'-0"



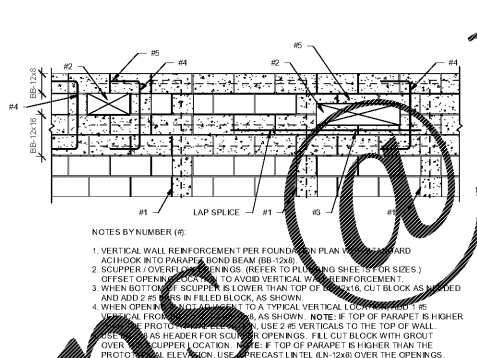
7 PLAN FOR DISH MOUNTING
SCALE: 3/4" = 1'-0"



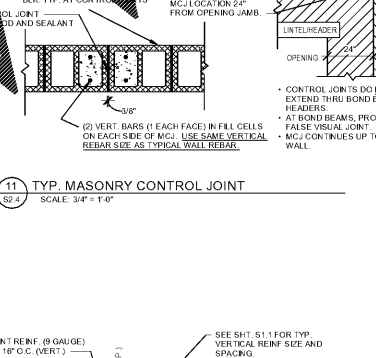
8 SECTION FOR DISH MOUNTING
SCALE: 3/4" = 1'-0"



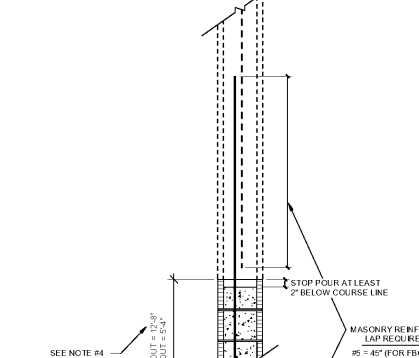
9 CONSTRUCTION OPENING DETAIL
SCALE: 1/4" = 1'-0"



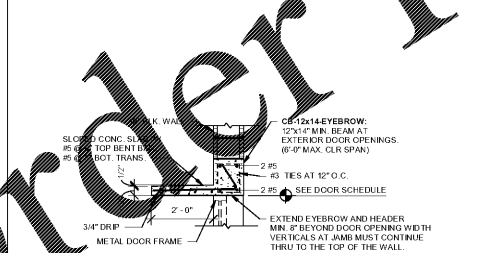
10 SCAFFOLD AND OVERFLOW DETAIL
SCALE: 1/2" = 1'-0"



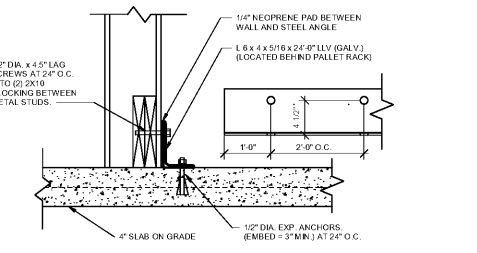
11 TYP. MASONRY CONTROL JOINT
SCALE: 3/4" = 1'-0"



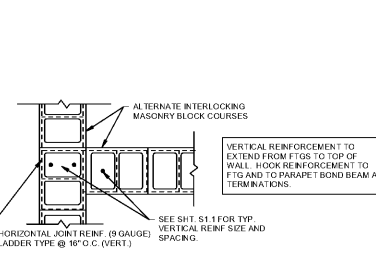
12 TYP. WALL DETAIL
SCALE: 3/4" = 1'-0"



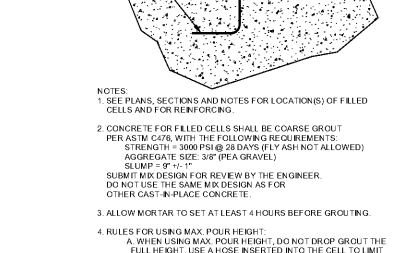
13 CONCRETE EYEBROW
SCALE: 1/2" = 1'-0"



14 ANGLE AT STACKER DETAIL
SCALE: 1/2" = 1'-0"



15 TYP. INTERSECTING WALL DETAIL
SCALE: 3/4" = 1'-0"



16 MASONRY LIFT DETAIL
SCALE: 3/4" = 1'-0"

No.	Description	Date

STORE NUMBER
1687
Tattersall Park
US 280 & Highway 19
Hoover
Shelby Co., AL
48.10
V814.2018
SIENNA LITE

ROOF
EQUIPMENT
AND TYPICAL
DETAILS

As indicated

S2.4

Order Plans

WWW.LDOnline.com