

PLOT DATE:
August 21 2018

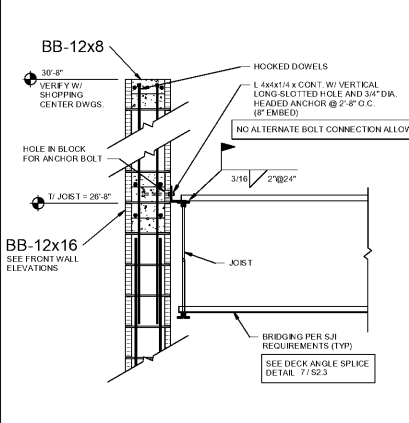
| No. | Description | Date |
|-----|-------------|------|
| | | |
| | | |
| | | |
| | | |
| | | |
| | | |
| | | |
| | | |
| | | |
| | | |

STORE NUMBER
1687
Tattersall Park
US 280 & Highway 19
Rooover
Shelby Co., AL
48.10
V1814.2018
SIENNA LITE

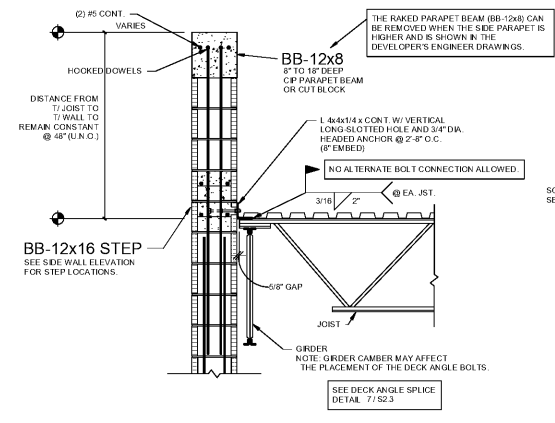
ROOF FRAMING DETAILS

As indicated

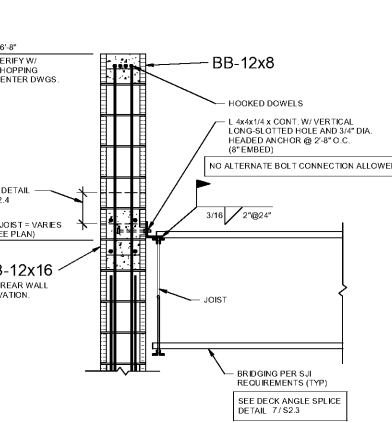
S2.3



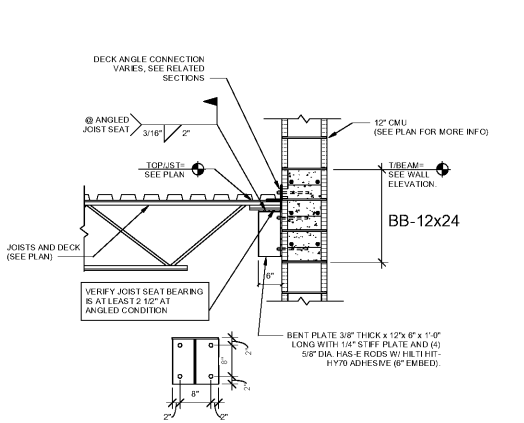
1 SECTION AT FRONT
SCALE: 3/4" = 1'-0"



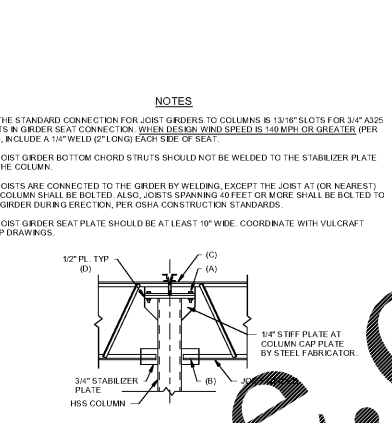
2 SECTION AT SIDES
SCALE: 3/4" = 1'-0"



3 SECTION AT REAR
SCALE: 3/4" = 1'-0"

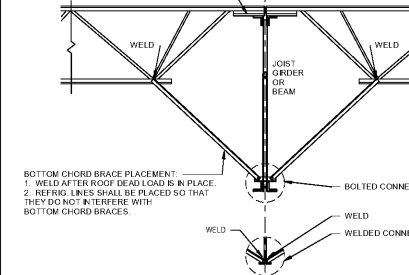


4 SECTION AT JOIST SEAT TO ANGLED WALL
SCALE: 3/4" = 1'-0"

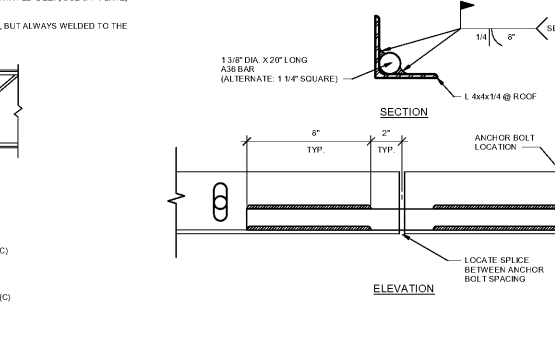


5 GIRDER TO COLUMN DETAIL
SCALE: 3/4" = 1'-0"

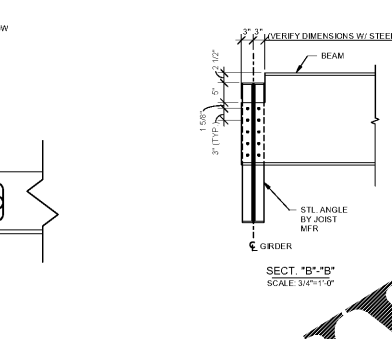
NOTES
(A) JOISTS ARE CONNECTED TO THE GIRDER BY WELDING, EXCEPT THE JOIST AT (OR NEAREST) THE COLUMN SHALL BE BOLTED. ALSO, JOISTS SPANNING 40 FEET OR MORE SHALL BE BOLTED TO THE GIRDER DURING ERECTION, PER OSHA CONSTRUCTION STANDARDS, AND THEN WELDED MINIMUM WELD FOR JOIST SEAT SHALL BE 3/16" FILLER WELD, 2" EACH SIDE. (IF L1 JOIST, USE 3" LONG)
(B) AT COLUMN LOCATIONS, PLACE STABILIZER PLATE ON COLUMN BETWEEN JOIST BOTTOM CHORD ANGLES TO STABILIZE THE BOTTOM CHORD. IT SHALL DO NO WELD. JOIST BOTTOM CHORD TO STABILIZER PLATE. FOR JOISTS GREATER THAN 2' DEEP, USE 3/4" PLATE, OTHERWISE USE 1/2" PLATES.
(C) JOIST GIRDER BOTTOM CHORD BRACES BY MFG. MAY BE EITHER WELDED OR BOLTED TO THE GIRDER, BUT ALWAYS WELDED TO THE JOIST. (PROVIDE A MIN OF TWO JOIST BRACES PER GIRDER BEAM AT 10 POINTS)



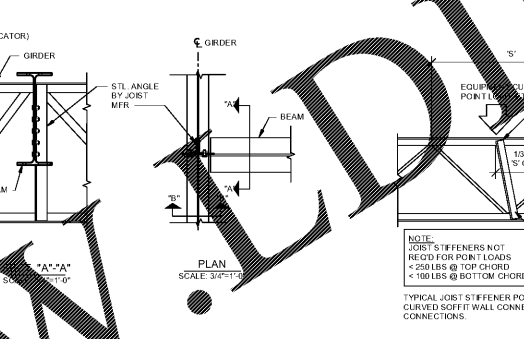
6 JOIST TO GIRDER DETAIL
SCALE: 3/4" = 1'-0"



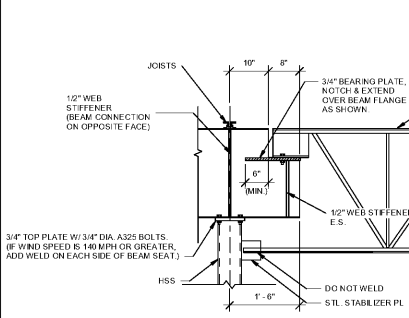
7 ROOF DECK ANGLE SPLICE
SCALE: 3/4" = 1'-0"



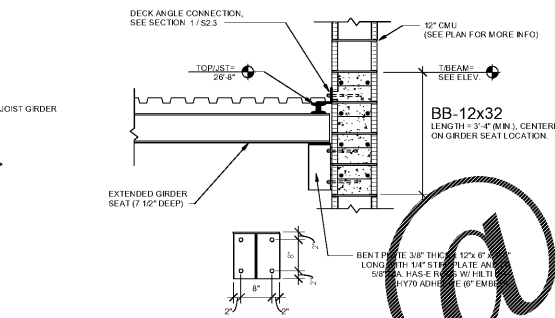
8 BEAM TO GIRDER CONNECTION
SCALE: 3/4" = 1'-0"



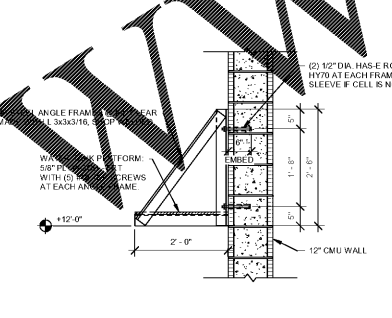
9 TYP. JOIST STIFFENER DETAIL
SCALE: 3/4" = 1'-0"



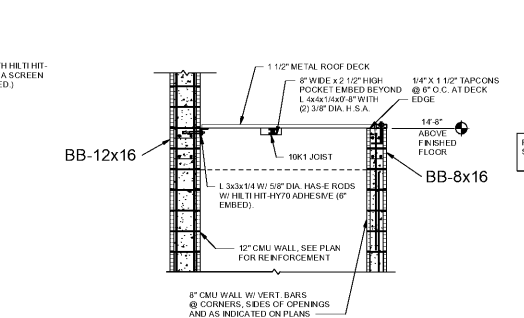
10 SECTION AT COLUMN/EXTEND BEAM
SCALE: 3/4" = 1'-0"



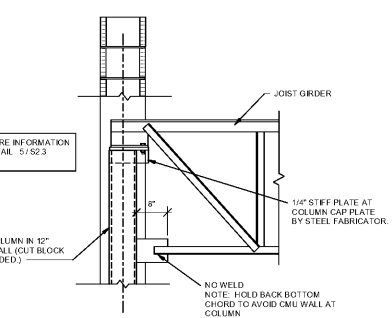
11 SECTION AT EXTENDED GIRDER SEAT AT COLUMN ONLY
SCALE: 3/4" = 1'-0"



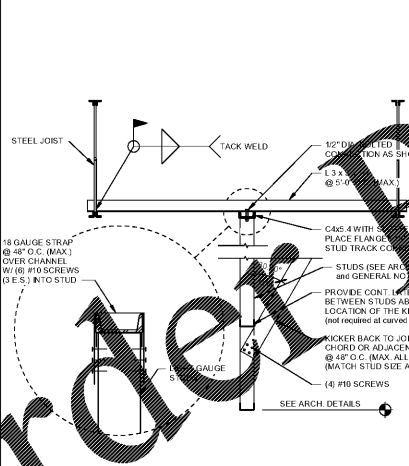
12 SECTION FOR WATER TANK
SCALE: 3/4" = 1'-0"



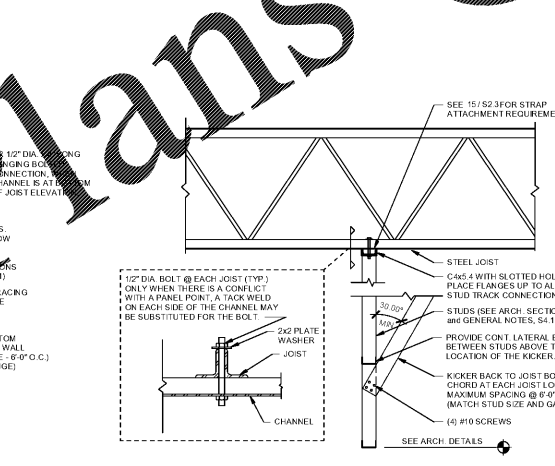
13 SECTION AT RISER ROOF
SCALE: 1/2" = 1'-0"



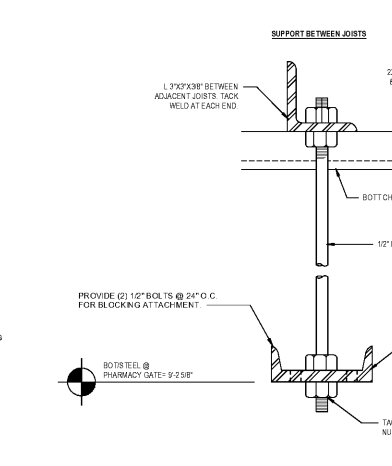
14 GIRDER TO COLUMN IN WALL
SCALE: 3/4" = 1'-0"



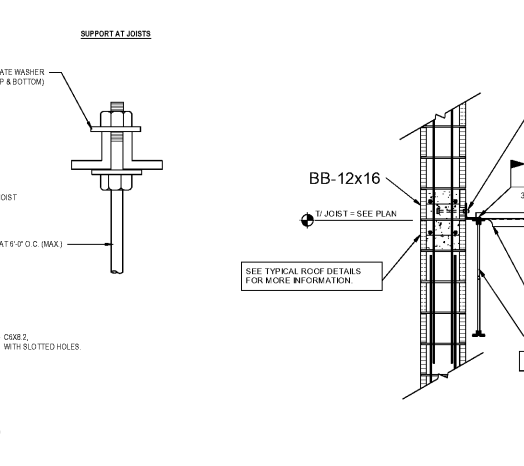
15 SOFFIT DETAIL (PARALLEL TO ROOF JOISTS)
SCALE: 3/4" = 1'-0"



16 SOFFIT DETAIL (PERPENDICULAR TO ROOF JOISTS)
SCALE: 3/4" = 1'-0"



17 SUPPORT FOR HANGING CHANNEL
SCALE: 3/4" = 1'-0"



18 SECTION AT ROOF STRUT (IF NEEDED)
SCALE: 3/4" = 1'-0"

Order Plans @