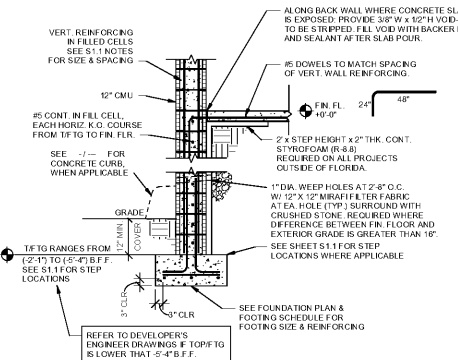
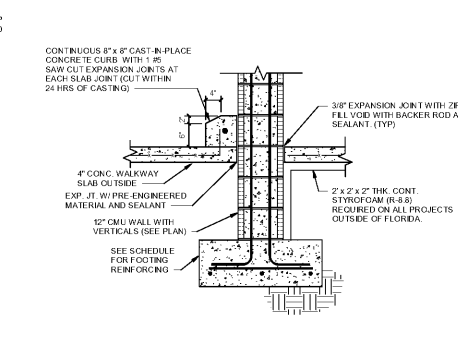


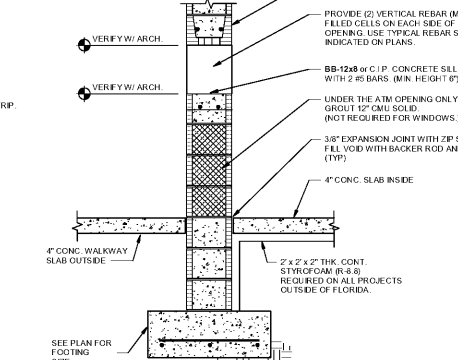
1 TYP. WALL FTG DETAIL  
SCALE: 3/4" = 1'-0"



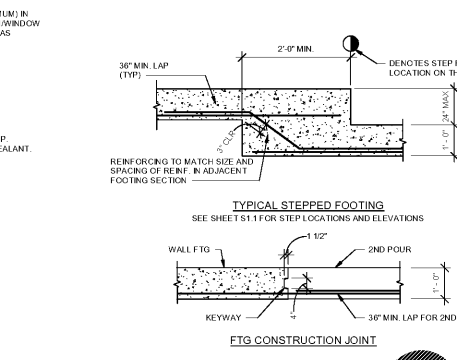
2 SECTION AT STEP FOOTING AREAS  
SCALE: 1/2" = 1'-0"



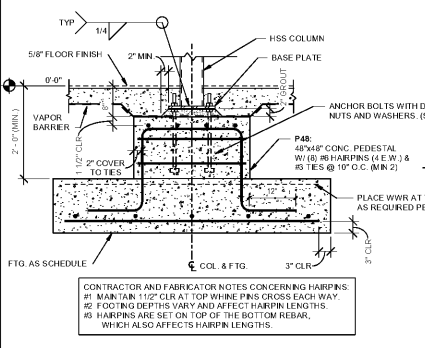
3 STOREFRONT BULKHEAD  
SCALE: 3/4" = 1'-0"



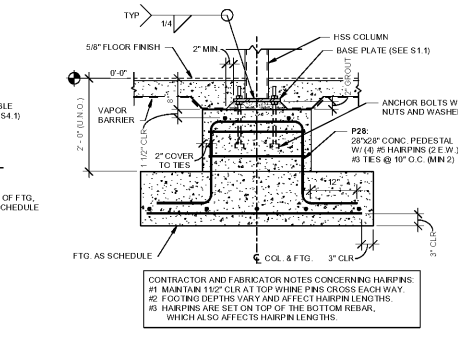
4 SECTION AT ATM/WINDOW SILL  
SCALE: 3/4" = 1'-0"



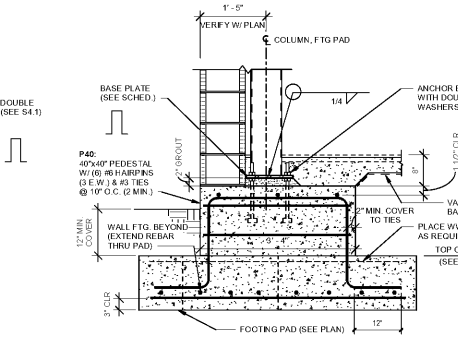
5 STEPPED FTG. AND CONSTRUCTION JOINT FOR FTG.  
SCALE: 1/2" = 1'-0"



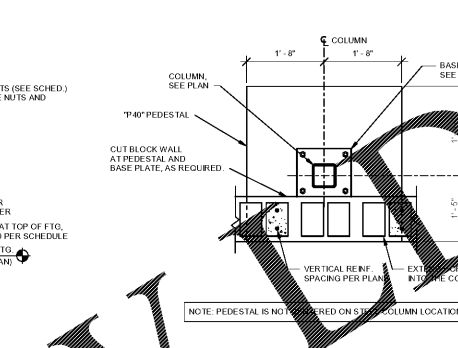
6 INTERIOR COLUMN FOOTING  
SCALE: 3/4" = 1'-0"



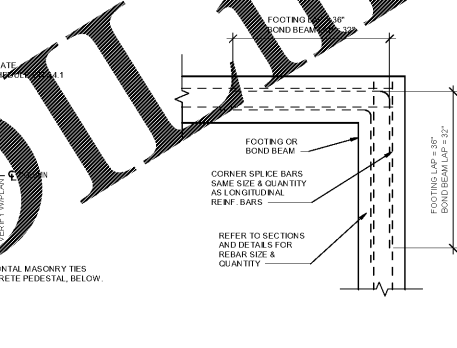
7 MEZZANINE COLUMN FOOTING  
SCALE: 3/4" = 1'-0"



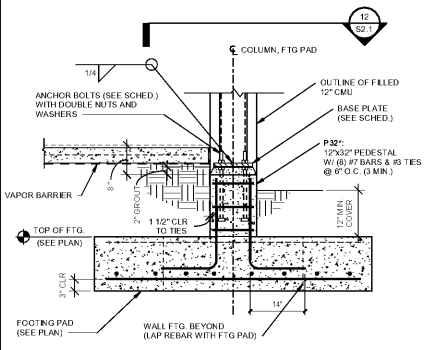
8 COLUMN AT EXTERIOR WALL (SECTION)  
SCALE: 3/4" = 1'-0"



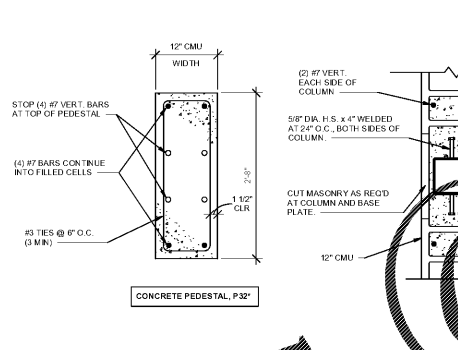
9 COLUMN AT EXTERIOR WALL (PLAN)  
SCALE: 3/4" = 1'-0"



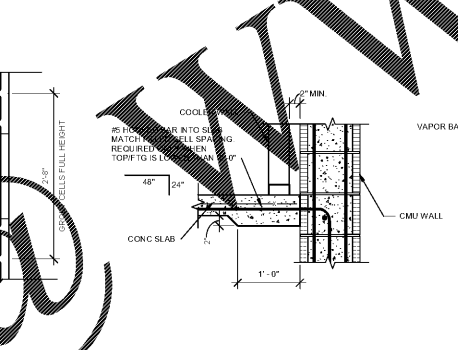
10 TYPICAL CONTINUITY CORNER  
SCALE: 3/4" = 1'-0"



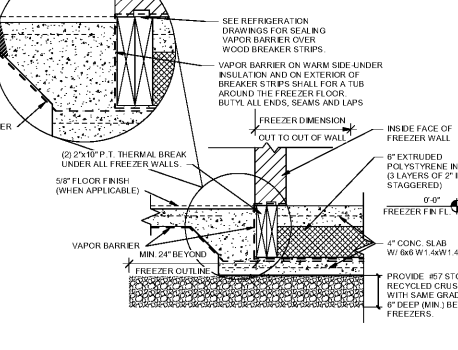
11 COLUMN INSIDE CMU WALL (SECTION)  
SCALE: 3/4" = 1'-0"



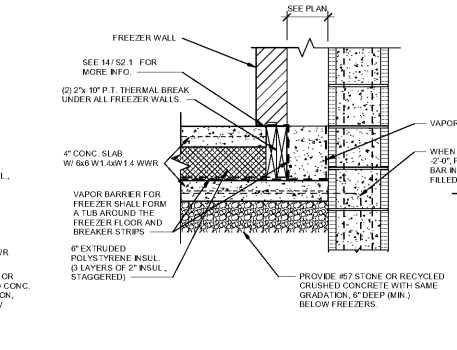
12 COLUMN INSIDE CMU WALL (PLAN)  
SCALE: 1" = 1'-0"



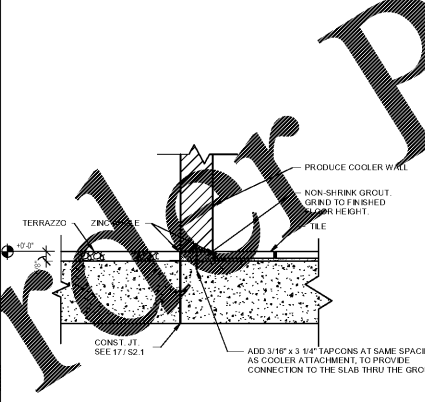
13 COOLER AT CMU WALL  
SCALE: 1" = 1'-0"



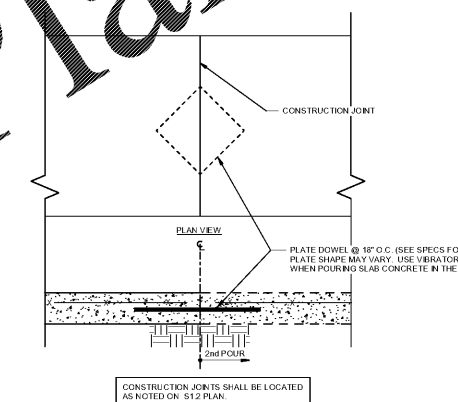
14 FREEZER FLOOR DETAIL  
SCALE: 1" = 1'-0"



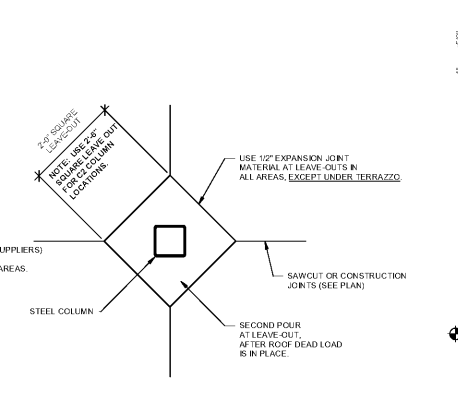
15 FREEZER FLOOR DETAIL  
SCALE: 1" = 1'-0"



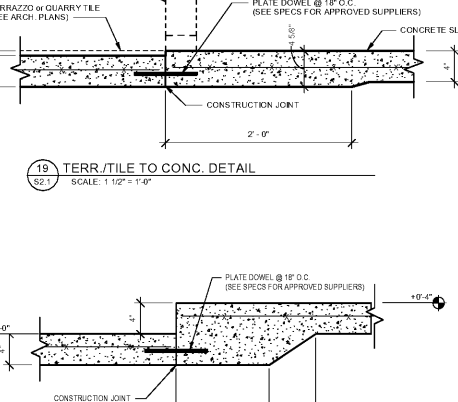
16 TERR. TO TILE AT PRODUCE ROOM  
SCALE: 3/4" = 1'-0"



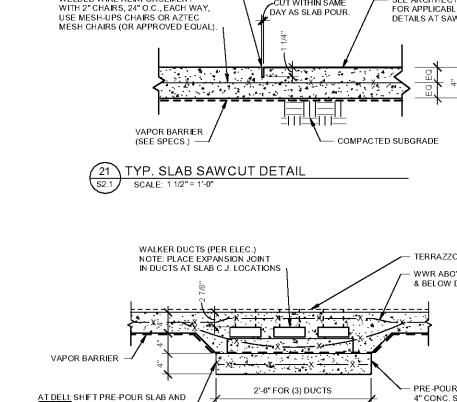
17 TYP. CONSTR. JOINT DETAIL  
SCALE: 1/2" = 1'-0"



18 SLAB LEAVE-OUT DETAIL  
SCALE: 3/4" = 1'-0"



19 TERR./TILE TO CONC. DETAIL  
SCALE: 1/2" = 1'-0"



21 TYP. SLAB SAWCUT DETAIL  
SCALE: 1/2" = 1'-0"



16 TERR. TO TILE AT PRODUCE ROOM  
SCALE: 3/4" = 1'-0"



17 TYP. CONSTR. JOINT DETAIL  
SCALE: 1/2" = 1'-0"



18 SLAB LEAVE-OUT DETAIL  
SCALE: 3/4" = 1'-0"



19 TERR./TILE TO CONC. DETAIL  
SCALE: 1/2" = 1'-0"



21 TYP. SLAB SAWCUT DETAIL  
SCALE: 1/2" = 1'-0"

© COPYRIGHT 2018  
PUBLIX SUPER MARKETS, INC.  
THESE CONSTRUCTION DOCUMENTS ARE THE  
PROPERTY OF PUBLIX SUPER MARKETS, INC. AND  
ARE NOT TO BE COPIED OR REPRODUCED FOR ANY  
SPECIFIC BUILDING WITHOUT WRITTEN PERMISSION.  
THESE DRAWINGS SHALL NOT BE DISSEMINATED  
WITHOUT PRIOR WRITTEN PERMISSION OF PUBLIX  
SUPER MARKETS, INC.

THE DESIGN INDICATED IN THESE CONSTRUCTION  
DOCUMENTS DOES TO THE BEST OF MY  
KNOWLEDGE, INFORMATION, AND BELIEF, COMPLY  
WITH THE APPLICABLE MINIMUM BUILDING CODES

PLOT DATE:  
August 21 2018

No.	Description	Date

STORE NUMBER  
**1687**  
Tattersall Park  
US 280 & Highway 19  
Hoover  
Shelby Co., AL  
**48.10**  
V1814.2018  
SIENNA LITE

FOUNDATION  
DETAILS  
As Indicated

**S2.1**

Order Plans

WWW.ONLINE.COM