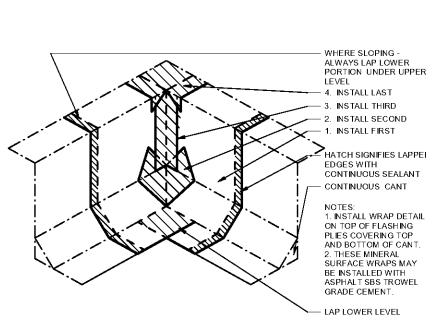
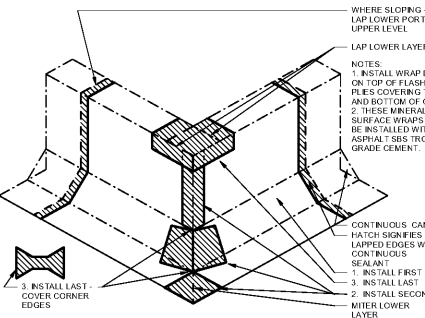


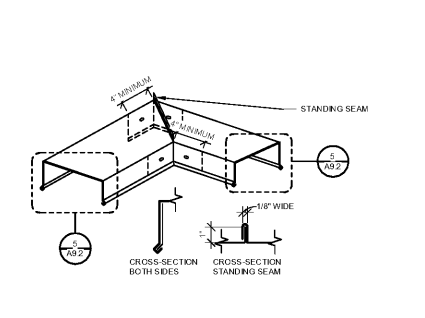
1 ROOF PITCH PAN DETAIL  
SCALE: 1 1/2" = 1'-0"



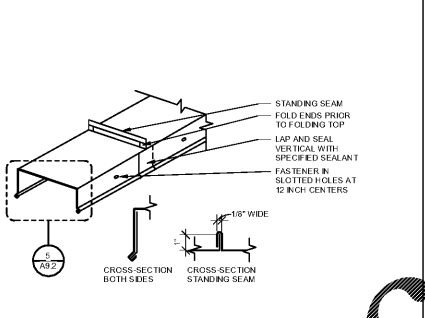
2 FLASHING INSIDE CORNER  
SCALE: 1 1/2" = 1'-0"



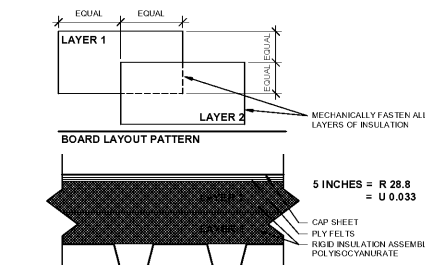
3 FLASHING OUTSIDE CORNER  
SCALE: 1 1/2" = 1'-0"



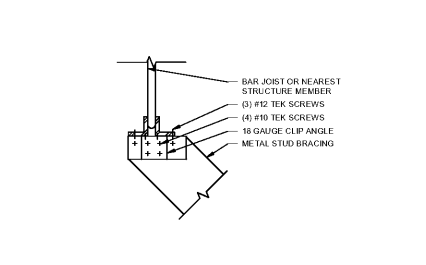
4 CORNER COPING SEAM  
SCALE: 3" = 1'-0"



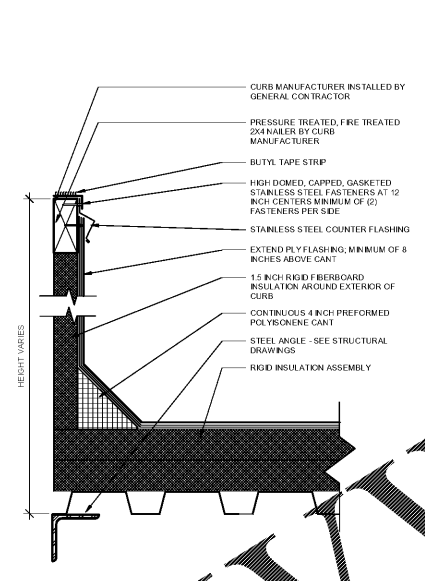
5 CONTINUOUS COPING SEAM  
SCALE: 3" = 1'-0"



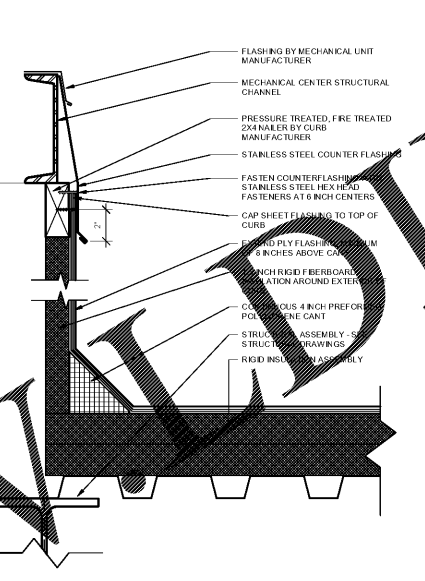
6 ROOF R-VALUE  
SCALE: 3" = 1'-0"



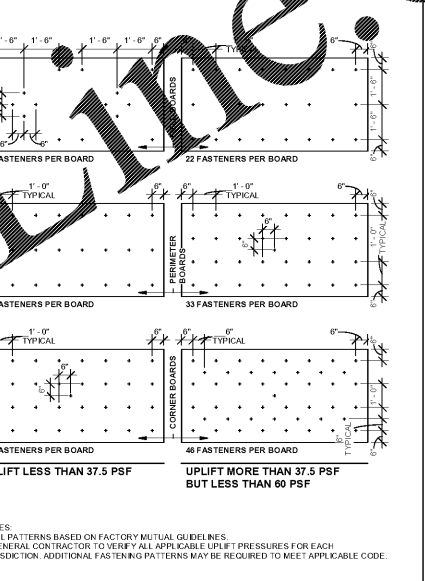
7 METAL STUD BRACING CLIP  
SCALE: 3" = 1'-0"



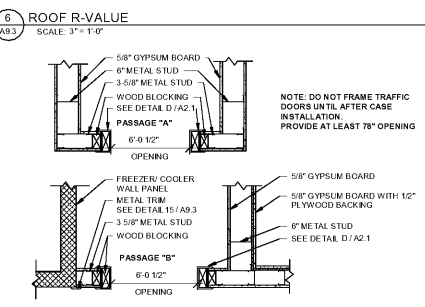
10 ROOF EQUIPMENT CURB  
SCALE: 3" = 1'-0"



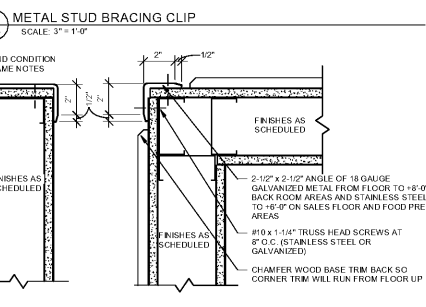
11 ROOF MECHANICAL CENTER CURB  
SCALE: 3" = 1'-0"



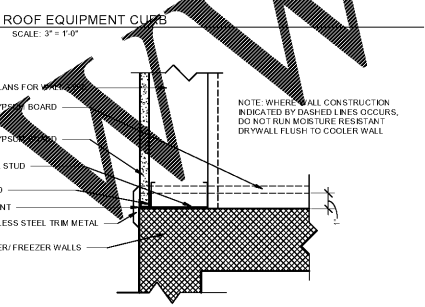
12 ROOF INSULATION FASTENING PATTERNS  
SCALE: 3/8" = 1'-0"



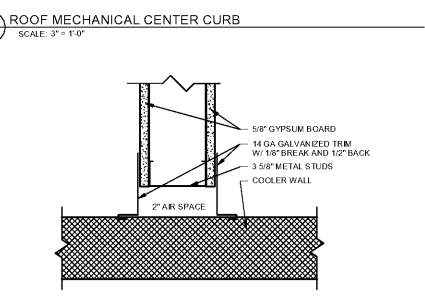
8 DURAS DOOR  
SCALE: 3/4" = 1'-0"



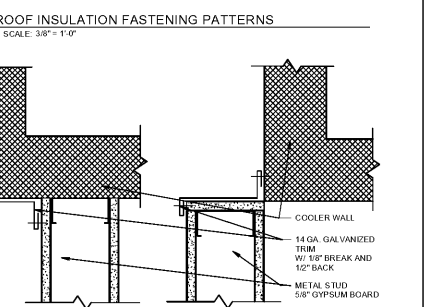
9 METAL CORNER PROTECTOR  
SCALE: 3" = 1'-0"



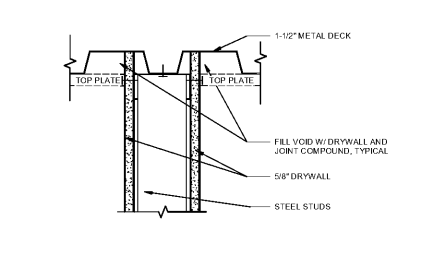
15 GYPSUM WALL TO COOLER WALL TRIM  
SCALE: 3" = 1'-0"



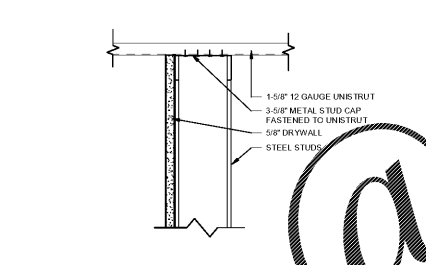
16 GYPSUM WALL TO COOLER WALL CAP  
SCALE: 3" = 1'-0"



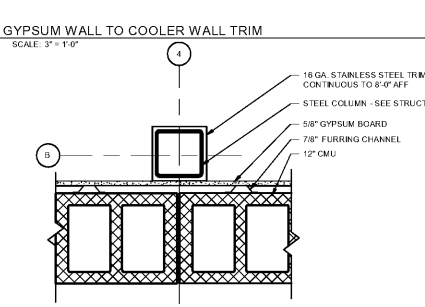
17 GYPSUM WALL TO COOLER TRIM SUPPORT  
SCALE: 3" = 1'-0"



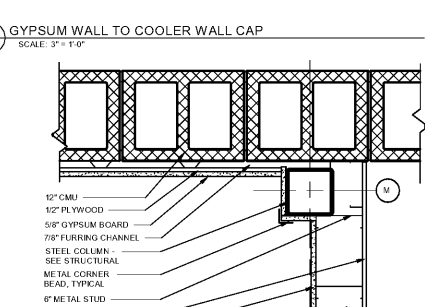
13 WALL TO ROOF DECK  
SCALE: 3" = 1'-0"



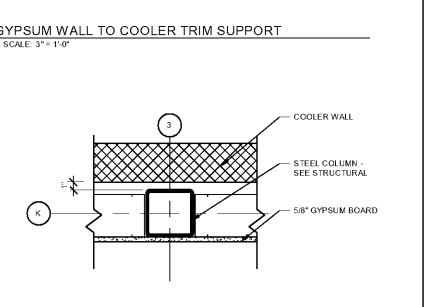
14 WALL TO UNISTRUT  
SCALE: 3" = 1'-0"



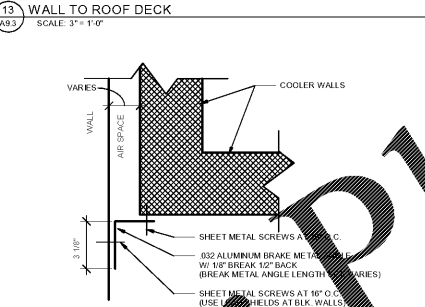
25 COLUMN AT ENTRANCE VESTIBULE  
SCALE: 1 1/2" = 1'-0"



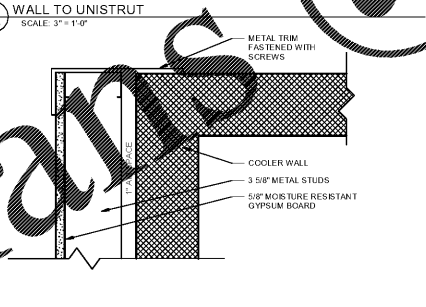
21 COLUMN AT GYPSUM WALL CORNER  
SCALE: 1 1/2" = 1'-0"



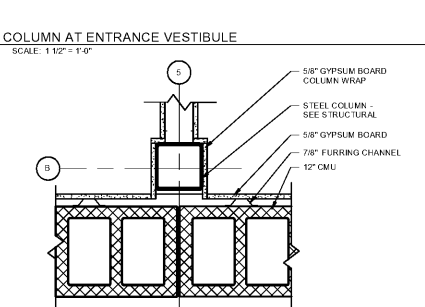
28 COLUMN AT GYPSUM AND COOLER WALLS  
SCALE: 1 1/2" = 1'-0"



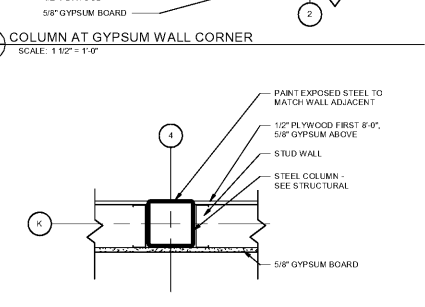
18 COOLER TO WALL CLOSURE  
SCALE: 3" = 1'-0"



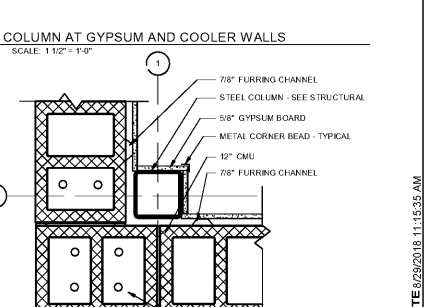
19 TRIM AT COOLER/FREEZER  
SCALE: 3" = 1'-0"



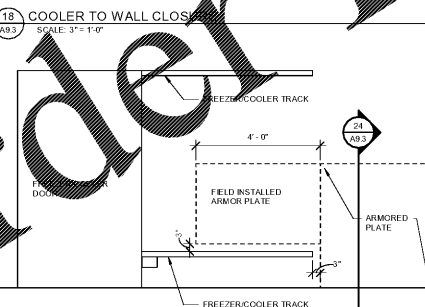
29 COLUMN AT FRONT WALL  
SCALE: 1 1/2" = 1'-0"



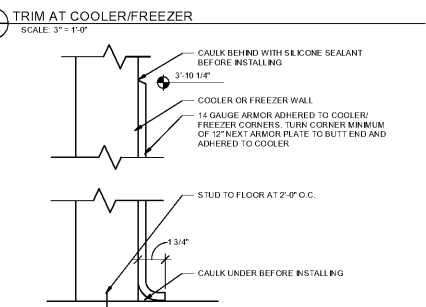
30 COLUMN AT GYPSUM WALL  
SCALE: 1 1/2" = 1'-0"



26 CONCEALED CORNER COLUMN  
SCALE: 1 1/2" = 1'-0"



23 COOLER WALL ARMOR AT RECEIVING  
SCALE: 12" = 1'-0"



24 ARMOR SECTION DETAIL  
SCALE: 3" = 1'-0"

Order Plans @

PLOT DATE:  
August 21 2018

No. Description Date

STORE NUMBER  
1687  
Tattersall Park  
US 280 & Highway 19  
Flopper  
Shelby Co., AL  
48.10  
V0814.2018  
SIENNA LITE

DETAILS - ROOF AND PARTITION

As indicated

A9.3