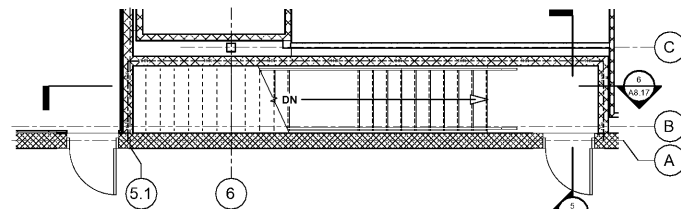
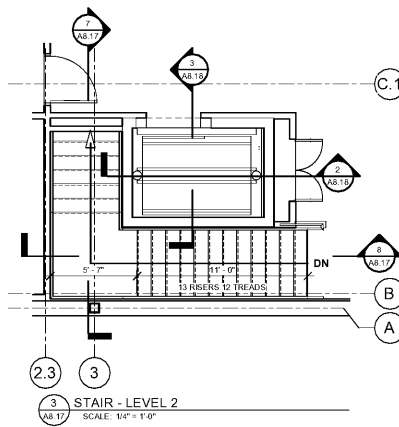


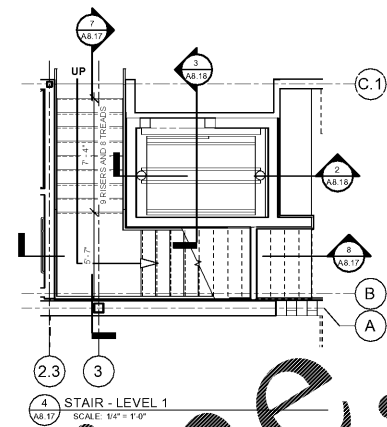
1 EGRESS STAIR - LEVEL 2
SCALE: 1/4" = 1'-0"



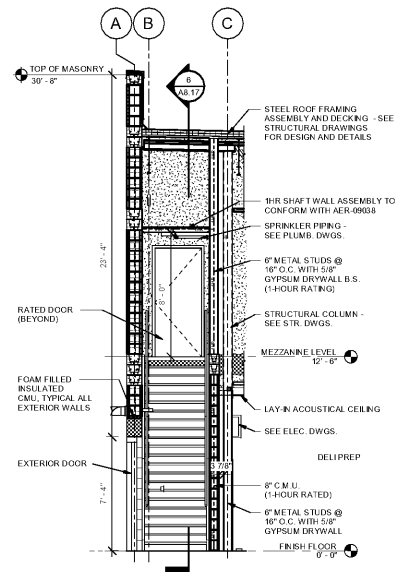
2 EGRESS STAIR - LEVEL 1
SCALE: 1/4" = 1'-0"



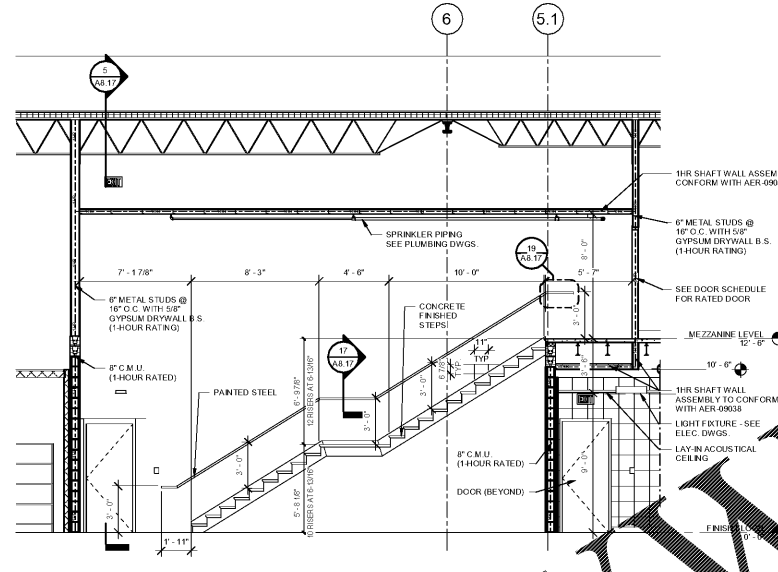
3 STAIR - LEVEL 2
SCALE: 1/4" = 1'-0"



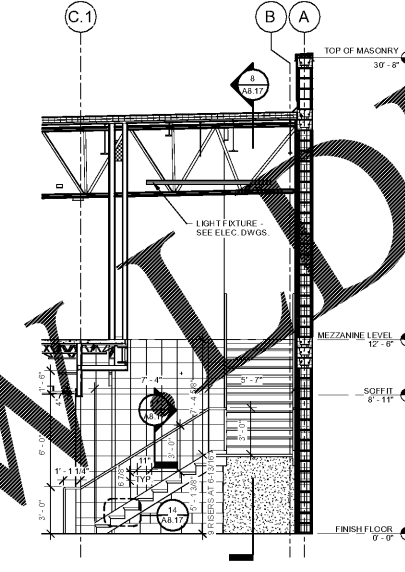
4 STAIR - LEVEL 1
SCALE: 1/4" = 1'-0"



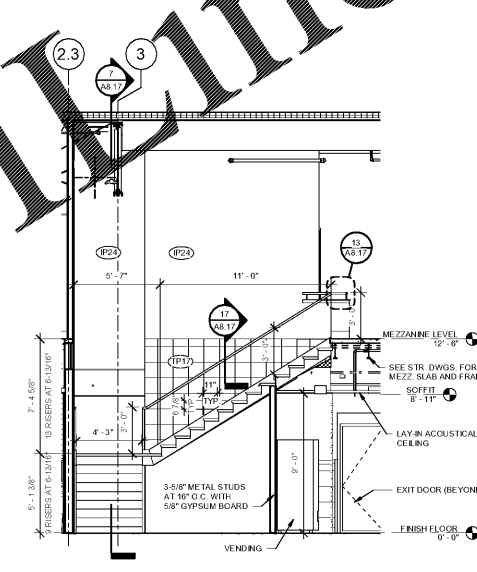
5 EGRESS STAIR SECTION
SCALE: 1/4" = 1'-0"



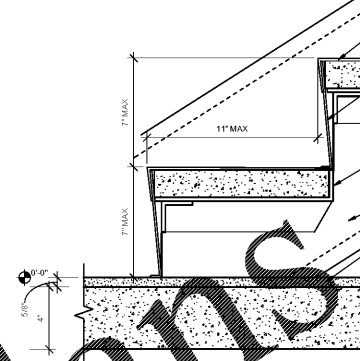
6 EGRESS STAIR SECTION
SCALE: 1/4" = 1'-0"



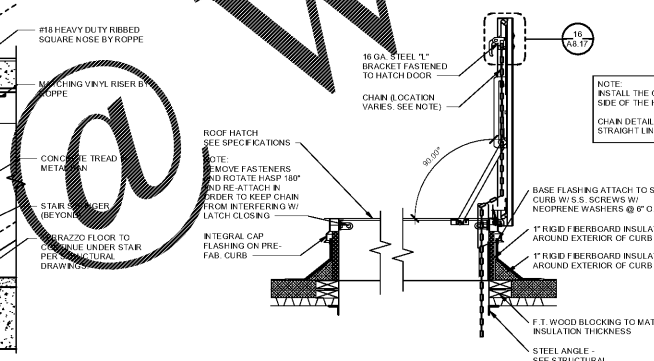
7 STAIR SECTION
SCALE: 1/4" = 1'-0"



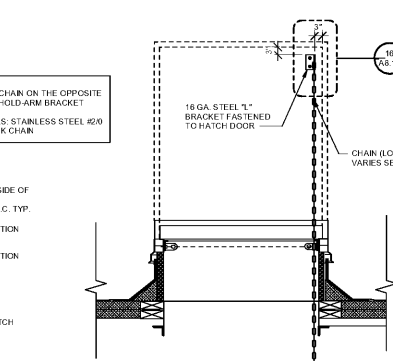
8 STAIR SECTION
SCALE: 1/4" = 1'-0"



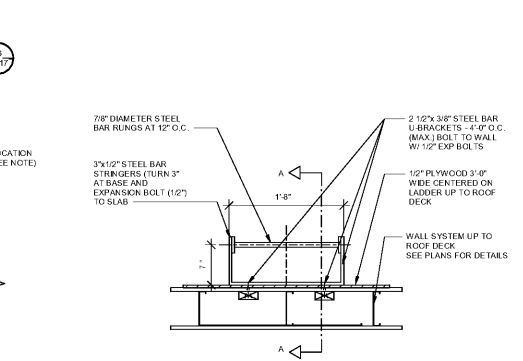
9 STAIR FLOOR
SCALE: 1/4" = 1'-0"



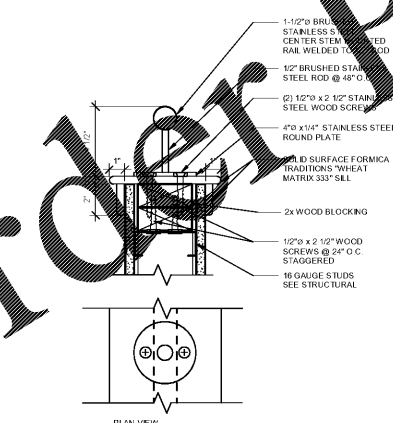
10 ROOF HATCH SECTION
SCALE: 1/2" = 1'-0"



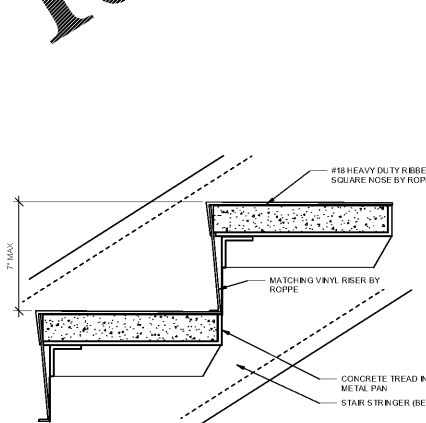
11 ROOF HATCH SECTION
SCALE: 1/2" = 1'-0"



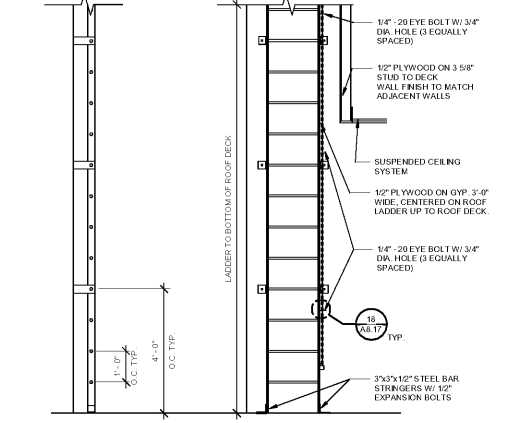
12 ROOF ACCESS LADDER DETAIL
SCALE: 1/2" = 1'-0"



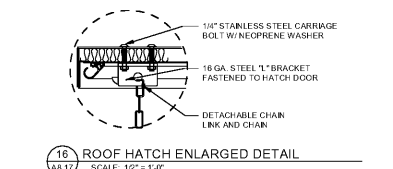
13 RAILING SECTION DETAILS
SCALE: 3/8" = 1'-0"



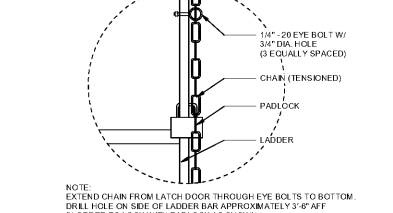
14 TYPICAL TREAD/RISER DETAIL
SCALE: 3/8" = 1'-0"



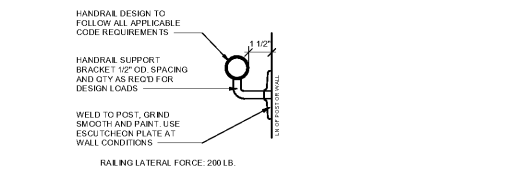
15 LADDER - ELEVATIONS
SCALE: 1/4" = 1'-0"



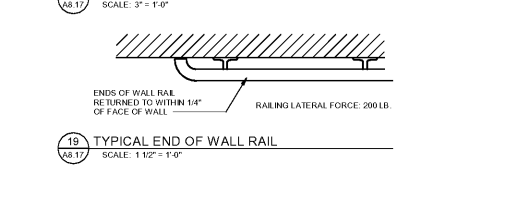
16 ROOF HATCH ENLARGED DETAIL
SCALE: 1/2" = 1'-0"



18 LADDER CHAIN DT
SCALE: 1" = 1'-0"



17 HANDRAIL DETAIL
SCALE: 3/8" = 1'-0"



19 TYPICAL END OF WALL RAIL
SCALE: 1/2" = 1'-0"

PLOT DATE:
August 21 2018

No.	Description	Date

STORE NUMBER
1687

Tattersall Park

US 280 & Highway 19
 Hoover
 Shelby Co., AL

48.10
 7/8/14.2018

SIENNA LITE

STAIRS AND
 LADDER

As indicated

A8.17

PERMIT SET DATE: 8/29/2018 11:14:43 AM

Order Plans