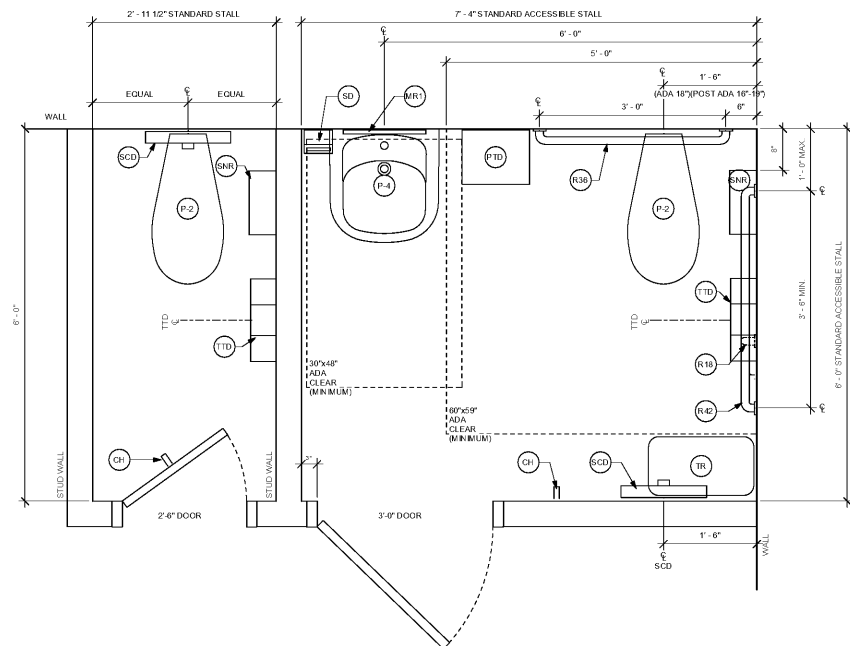


**PUBLIX FACILITIES DESIGN DEPARTMENT**

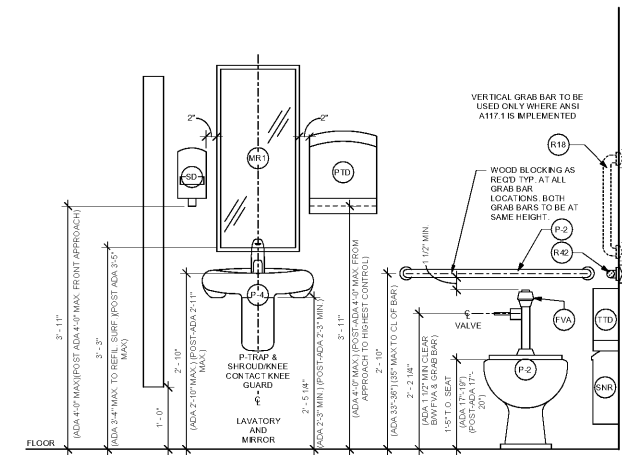
- DAVID W. BEE,** PE  
ARCHITECT FL REG. 25122  
DAVID RUBIN,  
ARCHITECT FL REG. 11527  
GA REG. 2477  
AL REG. 6234  
VA REG. 103487  
12432  
10/10/1997
- JOHN W. KITCHENS,** PE  
STRUCTURAL FL REG. 45277  
GA REG. 20251  
SC REG. 18340  
TN REG. 20882  
TN REG. 101507
- PAUL C. HARMAN,** PE  
STRUCTURAL FL REG. 15199  
GA REG. 27740  
SC REG. 21754  
AL REG. 24905  
TN REG. 101862  
NC REG. 39873  
VA REG. 040205922
- JOHN J. CASAMALIS,** PE  
MECHANICAL FL REG. 43889  
GA REG. 021248  
SC REG. 16221  
TN REG. 106207  
VA REG. 040205478
- ANTHONY CLEMENTI,** PE  
MECHANICAL FL REG. 54781  
GA REG. 31882  
SC REG. 25591  
AL REG. 28489  
TN REG. 111382  
NC REG. 039864  
VA REG. 040205937
- RAYMOND J. SIRIANNI,** PE  
ELECTRICAL FL REG. 54085  
GA REG. 020508  
SC REG. 19743  
AL REG. 23065  
TN REG. 108038  
NC REG. 039863  
VA REG. 040205379

© COPYRIGHT 2018  
PUBLIX SUPER MARKETS, INC.  
THESE CONSTRUCTION DOCUMENTS ARE THE  
PROPERTY OF PUBLIX SUPER MARKETS, INC. AND  
ARE NOT TO BE COPIED OR REUSED FOR ANY  
SPECIFIC BUILDING WITHOUT WRITTEN PERMISSION.  
THESE DRAWINGS SHALL NOT BE DISSEMINATED  
WITHOUT PRIOR WRITTEN PERMISSION OF PUBLIX  
SUPER MARKETS, INC.

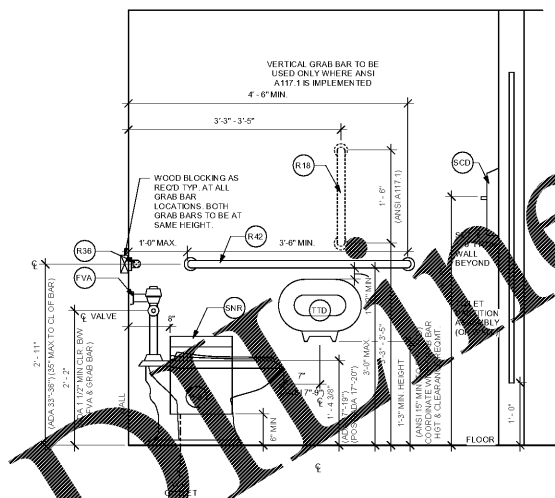
THE DESIGN INDICATED IN THESE CONSTRUCTION  
DOCUMENTS DOES TO THE BEST OF MY  
KNOWLEDGE, INFORMATION, AND BELIEF, COMPLY  
WITH THE APPLICABLE MINIMUM BUILDING CODES



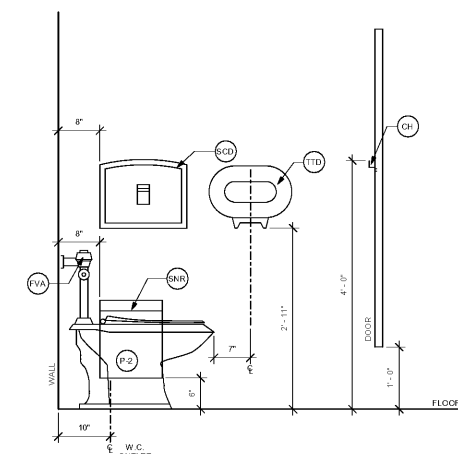
1 TYPICAL TOILET STALL PLANS  
SCALE: 1/4" = 1'-0"



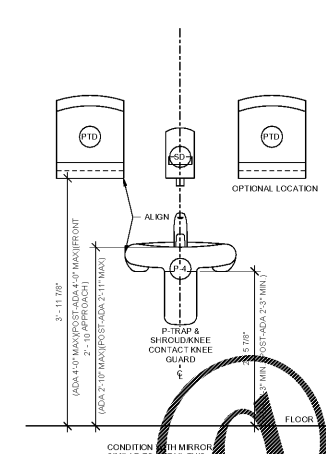
2 ADA COMPLIANT FIXTURE MOUNTING HEIGHTS  
SCALE: 1/4" = 1'-0"



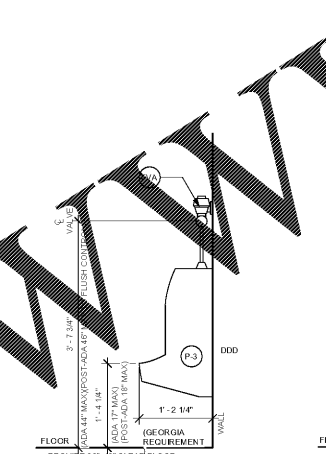
3 ADA COMPLIANT FIXTURE MOUNTING HEIGHTS 1  
SCALE: 1/4" = 1'-0"



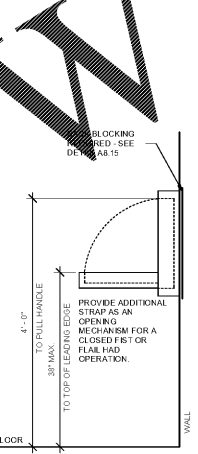
4 TYPICAL (NON-ADA COMPLIANT) FIXTURE MOUNTING HEIGHTS  
SCALE: 1/4" = 1'-0"



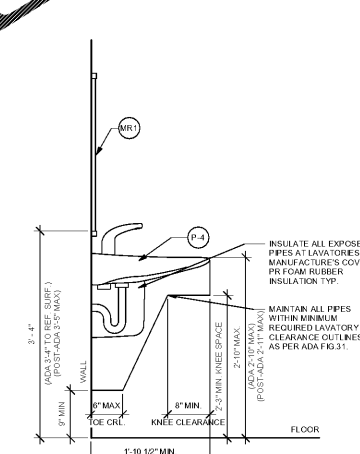
5 ADA COMPLIANT TYPE HANDMIRROR  
SCALE: 1/4" = 1'-0"



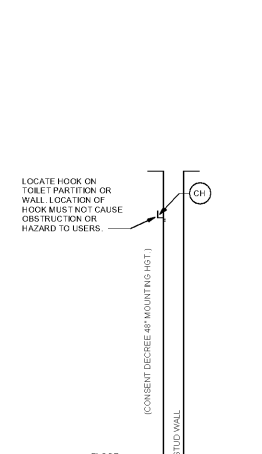
6 ADA COMPLIANT URINAL HEIGHT  
SCALE: 1/4" = 1'-0"



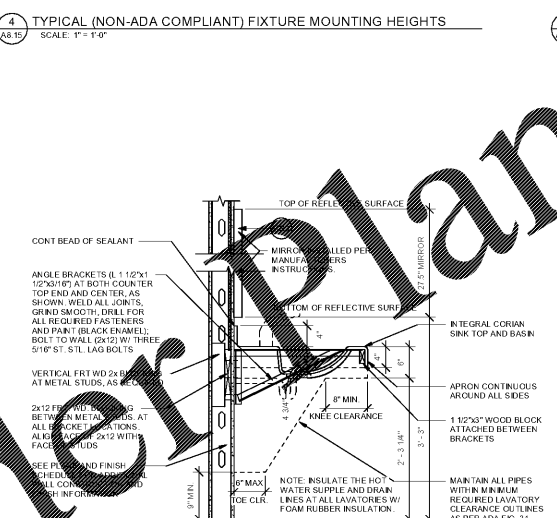
7 ADA COMPLIANT BABY CHANGING STATION HEIGHT  
SCALE: 1/4" = 1'-0"



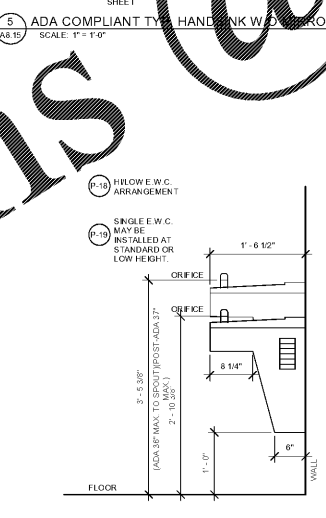
8 ADA COMPLIANT LAVATORY SECTION  
SCALE: 1/4" = 1'-0"



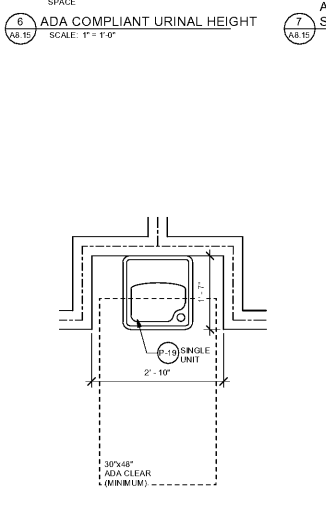
9 ADA COMPLIANT COAT HOOK HEIGHT  
SCALE: 1/4" = 1'-0"



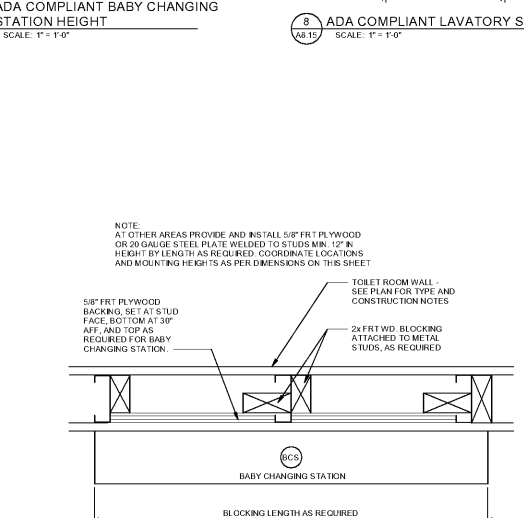
10 ADA COMPLIANT VANITY SECTION  
SCALE: 1/4" = 1'-0"



11 ADA COMPLIANT ELECTRICAL DRINKING FOUNTAIN HEIGHT  
SCALE: 1/4" = 1'-0"



12 ADA COMPLIANT - SINGLE DRINKING FOUNTAIN PLAN  
SCALE: 3/4" = 1'-0"



13 TYPICAL BLOCKING DETAIL  
SCALE: 1/4" = 1'-0"

**NOTES**

- FOR ADDITIONAL DIMENSIONS AND DETAILS SEE SHEET ADA-1
- DIMENSIONS INDICATED WITHIN PARENTHESES ARE FOR INFORMATION USE ONLY. IT PROVIDES ADA REQUIREMENTS AND A RANGE ALLOWED BY CONSENT. DEGREE FOR POST-ADAM ALLOWANCES WHICH ARE ONLY TO BE USED FOR EXISTING FACILITIES.
- ALL NEW CONSTRUCTION IS TO BE INSTALLED TO THE DIMENSIONS THAT ARE NOT IN PARENTHESES. SOME OF THESE DIMENSIONS HAVE TOLERANCES BUT IT TO THEM THAT ARE MORE STRINGENT THAT WHAT IS REQUIRED BY ADA.
- THESE TOLERANCES HAVE BEEN ADOPTED BY PUBLIX FOR BETTER CUSTOMER CONVENIENCE AND TO ALLOW FOR CONSTRUCTION TOLERANCES.

PLOT DATE:  
August 21 2018

No.	Description	Date

STORE NUMBER  
**1687**  
Tattersall Park  
US 280 & Highway 19  
Hoover  
Shelby Co., AL  
**48.10**  
V818.2018  
SIENNA LITE

ADA COMPLIANT  
- DETAILS

As indicated

**A8.15**

Order Plans

WWW.LDLINE.COM