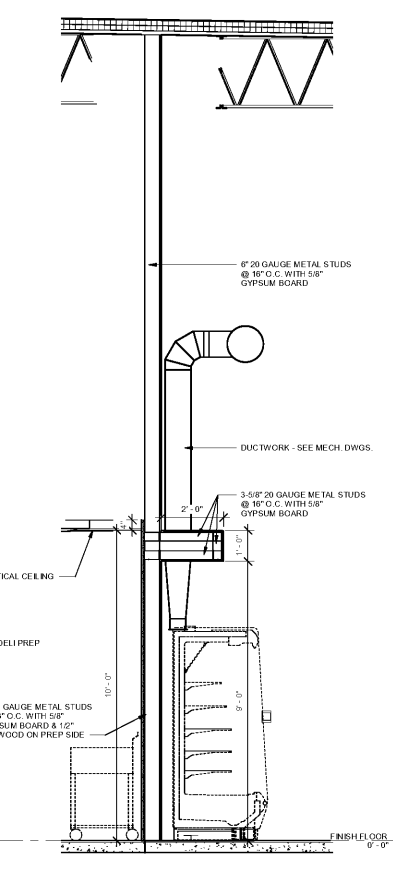
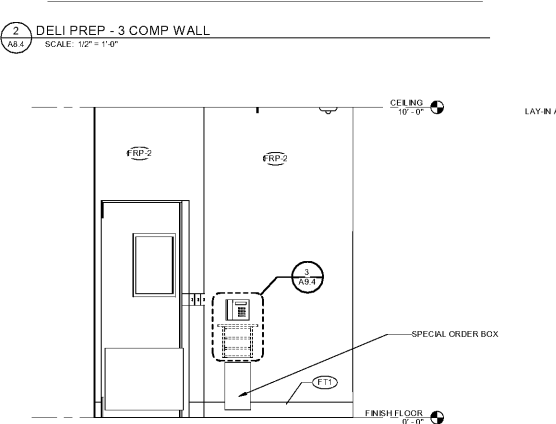
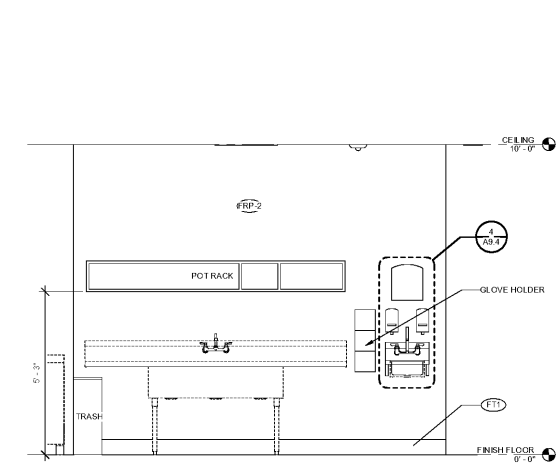
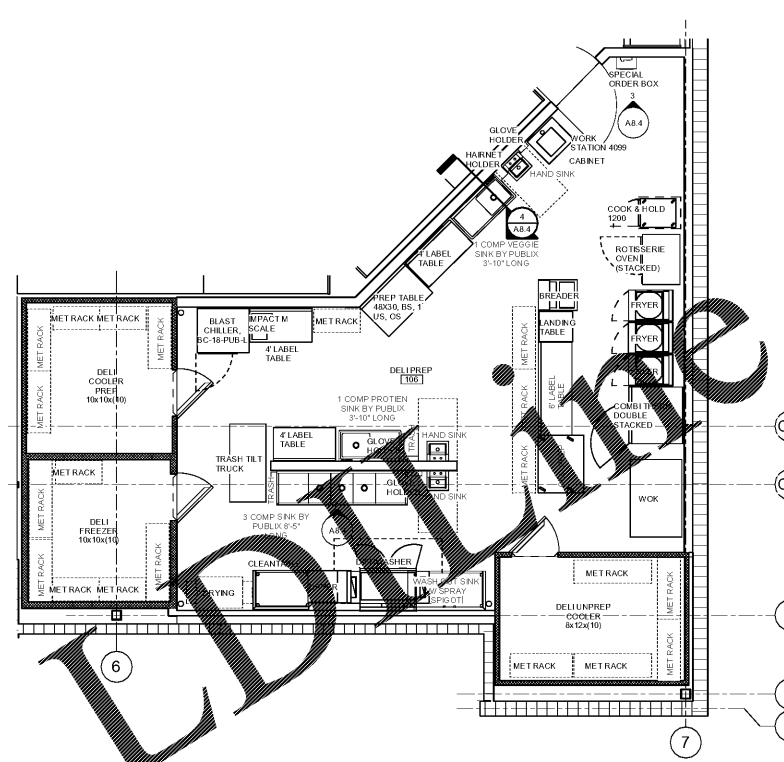


EQUIPMENT LIST DELI PREP				
Count	Description	Comments	Model	Manufacturer
1	WORK STATION #899	DELI	899M	
1	WOK	W/ REF. BASE	2-CHAMBER	JADE PRODUCTS
3	FRYER		DEF-720, 88PC	GILES
1	BLAST CHILLER		BC-18-PUB-4	WINE-D BRANDS INC.
1	BREADER		TABLE BREADBATER	GILES
1	CLEANABLE		CLEAN TABLE	
2	COMBI. THERM	DOUBLE STACKED	OVEN COMBI-ELECTRIC, CPT720E	ALTO SHAM
1	COOK & HOLD		1200	ALTO SHAM
1	DRYER		HOBART CLE DRYER	HOBART
1	DISHWASHER		HOBART CLEAN DISHWASHER	HOBART
1	IMPACT M SCALE		IMPACT M SCALE	GILES
1	LANDING TABLE		3" LANDING TABLE	GILES
1	REC. PREP		FRP-4822	TRUE FOOD SERVICE EQUIPMENT, INC.
1	ROTISSERIE OVEN	(5 STACKED)	YGG-16	BKI
3	LABEL TABLE		48X26	WINHOLT
1	LABEL TABLE		2526	WINHOLT
1	PREP TABLE		48X36, BS, 1 US, GS	WINHOLT
1	CABINET		FRP CABINET	
1	CRACKING		16X36 FLAT CHROME RACK	METRO
6	MET RACK		16X36 FLAT CHROME RACK	METRO
10	MET RACK		16X40 FLAT CHROME RACK	METRO
4	MET RACK		8X20	METRO
2	TRASH TILT		8322	CONTINENTAL
1	TRASH TILT		1306	RUBBERMAID

PUBLIX CABINET SHOP (DELI PREP)		
Count	SU Number	Description
1	SU-0014	SPECIAL ORDER BOX

FINISHES & COLORS LEGEND (SIENNA & SIENNA LITE)			
IP-1	SHERWIN WILLIAMS SW 6102 PORTABELLO	CW-	COOLER WALL/FREEZER PANEL FINISH
IP-2	SHERWIN WILLIAMS SW 0042	CW-S	COOLER WALL/FREEZER PANEL - STAINLESS STEEL FINISH
IP-3	RUSKIN ROOM GREEN	CW-W	COOLER WALL/FREEZER PANEL - WHITE FINISH
IP-4	(NOT USED)		
IP-5	SHERWIN WILLIAMS SW 6119 ANTIQUE WHITE	CW-EX	COOLER WALL/FREEZER PANEL - EXISTING TO REMAIN
IP-6	SHERWIN WILLIAMS SW 6074 JONQUIE	SS-1	STAINLESS STEEL
IP-7	SHERWIN WILLIAMS SW 6360 FOLKSY GOLD	SS-EX	EXISTING STAINLESS STEEL FINISH TO REMAIN
IP-8	SHERWIN WILLIAMS SW 6431 LEAF FROG	GL-1	GALVANIZED STEEL
IP-9	(NOT USED)		CERAMIC TILE
IP-10	SHERWIN WILLIAMS SW 6716 DANCING GREEN	TP-	CERAMIC & FLOOR TILE PATTERN - SEE CORRESPONDING
IP-11	SHERWIN WILLIAMS SW 6228 FRODOGE	FT-	DETAIL IN PUBLIX TILE PATTERN MANUAL AT
IP-12	SHERWIN WILLIAMS SW 6208 OYSTER BAY	TP-EX	http://www.publix.com/business-design-and-construction
IP-13	SHERWIN WILLIAMS SW 6321 RED BAY	TP-EX	EXISTING CERAMIC TILE TO REMAIN
IP-14	SHERWIN WILLIAMS SW 7069 RON ORE	IP-MA	NEW CERAMIC TILE TO MATCH EXISTING
IP-15	SHERWIN WILLIAMS SW 6116 TAJAMI TAN	VB-1	VINYL BASE - 6" COVED "JOHNSONITE #49 BERGE" OR EQUAL
IP-16	(NOT USED)	VB-2	VINYL BASE - 4" COVED (MEDIUM GRAY)
IP-17	SHERWIN WILLIAMS SW 6307 FINE WINE	VB-3	VINYL BASE - 6" COVED (MEDIUM GRAY)
IP-18	SHERWIN WILLIAMS SW 6340 BAKED CLAY	WB-1	WOOD BASE - 6" (MEDIUM GRAY)
IP-19	SHERWIN WILLIAMS SW 66R38 SAFETY RED	MB-1	NEW 6" MMA BASE
IP-20	SHERWIN WILLIAMS ALKYD PRIMER	SS-B	STAINLESS STEEL BASE - 6" COVED
IP-21	SHERWIN WILLIAMS SW 6254 LAZY GRAY	NB-MA	NEW BASE TO MATCH EXISTING ADJACENT
IP-22	SHERWIN WILLIAMS SW 7066 EXTRA WHITE	MISCELLANEOUS	
IP-23	(NOT USED)	TLP-1	ALL TOILET PARTITIONS TO BE: SCRANTON "LINEN" OR GLORIAL "CREAM" OR MILLS BRADLEY "LINEN" OR AMPCO "MOCHA" WOOD FINISH "GOLDEN PECAN 24"
IP-24	SHERWIN WILLIAMS SW 0011 CREWEL TAN	WD-1	TONGUE AND GROOVE PLANKING - 1/2" THICK BY 4" WIDE, V-JOINT LONGLEAF SOUTHERN PINE, S4S FINISH - MINWAX WOOD FINISH "GOLDEN PECAN 24"
IP-25	(NOT USED)	WD-2	(NOT USED)
IP-26	(NOT USED)	WC-EX	EXISTING WALL COVERING TO REMAIN
IP-27	SHERWIN WILLIAMS SW 6515 LEISURE BLUE	OZ-1	QUARTZ RESIN SOLID SURFACE - CAMBRIA, DESERT COLLECTION, CHERRYBROOK (3CM THICK - MITRED EDGE)
IP-28	SHERWIN WILLIAMS SW 6527 BLISSFUL BLUE	OZ-2	ACCENT MATERIAL PROVIDED BY PUBLIX SEE PUBLIX REPRESENTATIVE FOR MORE INFORMATION
IP-MA	MATCH EXISTING ADJACENT COLOR	FRST	FROSTED GLASS DECORATIVE FILM - 3M FASARA GLASS FINISHES - CLEAR
IP-EX	EXISTING PAINT COLOR TO REMAIN	PP-1	PAINTED PLYWOOD - SHERWIN WILLIAMS SW 6254 LAZY GRAY
PL-	PLASTIC LAMINATE	VV-	SERVICE DEPARTMENT WALL VINYL ACCENT BAND (CF-10) - SEE PUBLIX REPRESENTATIVE FOR MORE INFORMATION
PL-1	(NOT USED)	VV-MT	VV-SF VV-PR VV-BK VV-DL VV-VV
PL-2	(NOT USED)	VCT-1	ARMSTRONG IMPERIAL STRIATIONS TEA TIME T3616 HERRINGBONE PATTERN 12" X 24"
PL-3	WILSONART #7538K-18 "BLOND ECHO"	WF-1	WINDOW FILM - SOLYX SX-C373 ACID ETCH STRIPED HORIZONTAL BANDS
PL-4	WILSONART #7538K-18 "ASHEN SUN"		
PL-6	(NOT USED)		
PL-7	WILSONART #7209K-76 "NEPAL TEAK"		
PL-8	WILSONART #4673-80 "SAFFRON TIGERS"		
PL-9	WILSONART #4912-38 "GILDED MESH"		
PL-10	WILSONART #4588-07 "KALAHARI TOPAZ"		
PL-11	WILSONART #7982K-18 "ALICE"		
PL-12	CANPLAST #R0859 "BRUSHED ALUMINUM" E.B.		
PL-13	WILSONART #7516K-18 "TAME OHP"		
PL-14	ACROVYN CHAMELEON WALL PROTECTION - #410 "BRUSHED SILVER"		
PL-MA	NEW PLASTIC LAMINATE TO MATCH EXISTING		
PL-EX	EXISTING PLASTIC LAMINATE TO REMAIN		
FRP-1	FIBERGLASS REINFORCED PLASTIC		
FRP-2	SEQUENTIA "STRUCTOGLAS FRFR" - "ALMOND" MARBLE "STANDARD FRP" - "IVORY" GLASTEEL "GLASLINER FRP" - "IVORY" CRANE COMPOSITES (REMLITE) "TIRE-X GLASSORD" - "WHITE"		
FRP-3	SEQUENTIA "STRUCTOGLAS FRFR" - "WHITE" MARBLE "STANDARD FRP" - "WHITE" GLASTEEL "GLASLINER FRP" - "BRIGHT WHITE" CRANE COMPOSITES (REMLITE) "TIRE-X GLASSORD" - "WHITE"		
FRP-EX	EXISTING FRP PANELS TO REMAIN		
FRP-MA	NEW FRP PANELS TO MATCH EXISTING		
FRP-EX	EXISTING FRP PANELS TO REMAIN		



Order Plans.com