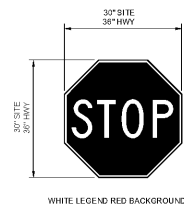
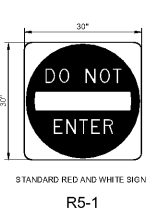


STOP BAR LAYOUT



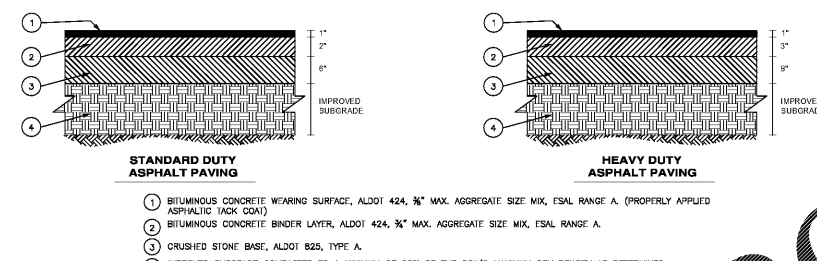
STOP SIGN DETAIL



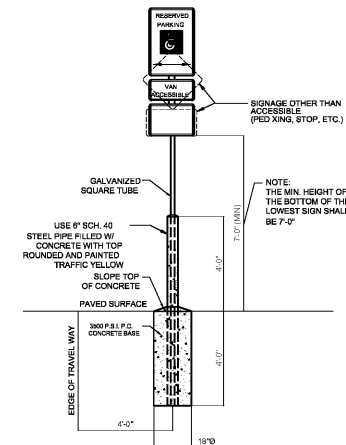
DO NOT ENTER SIGN DETAIL



PEDESTRIAN CROSSING SIGN

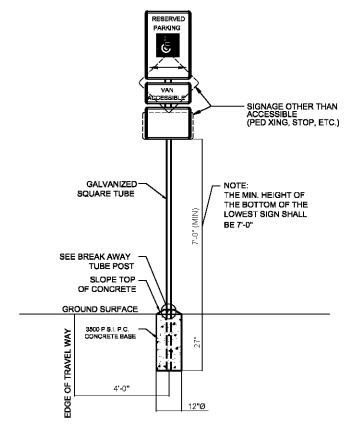


ASPHALT PAVING DETAIL



SIGN MOUNTING AND BASE WITH BOLLARD (USE WHERE SIGN IS NOT WITHIN CURBED ISLAND)

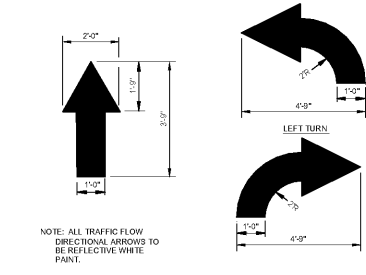
NOTES:
 1. ALL SIGNS SHALL COMPLY WITH U.S. DEPARTMENT OF TRANSPORTATION, FEDERAL HIGHWAY ADMINISTRATIONS "MANUAL OF UNIFORM TRAFFIC CONTROL DEVICES", LOCAL CODES AND AS SPECIFIED. MOUNT SIGNS TO POST IN ACCORDANCE WITH MANUFACTURER'S INSTRUCTIONS.
 2. GALVANIZED SQUARE TUBE
 POST TUBES - 2"x2"x1/8" 14ga
 POST TUBE SHALL MEET ASTM A1011 GRADE 50.
 POST TUBE GALVANIZED AS PER ASTM A653 GRADE 50.
 ANCHOR TUBE - 2-1/4"x2-1/4"x1/8" 14ga
 HEAVY DUTY ANCHOR TUBE SHALL MEET ASTM A500 GRADE B. STRUCTURAL TUBE AND STEEL SHALL BE HOT DIP GALVANIZED PER ASTM A123.
 THE UPPER SIGN POST SHALL TELESCOPE INSIDE THE ANCHOR TUBE A MINIMUM OF 12". THE ANCHOR TUBE SHALL BE A MINIMUM 2" DEEP WITH 1/2" MIN. 4" MAX. EXPOSED ABOVE FINISH GRADE.



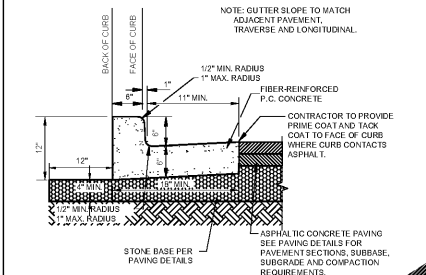
SIGN MOUNTING AND BASE WITHOUT BOLLARD (USE WHERE SIGN IS WITHIN CURBED ISLAND)

NOTES:
 1. ALL SIGNS SHALL COMPLY WITH U.S. DEPARTMENT OF TRANSPORTATION, FEDERAL HIGHWAY ADMINISTRATIONS "MANUAL OF UNIFORM TRAFFIC CONTROL DEVICES", LOCAL CODES AND AS SPECIFIED. MOUNT SIGNS TO POST IN ACCORDANCE WITH MANUFACTURER'S INSTRUCTIONS.
 2. GALVANIZED SQUARE TUBE
 POST TUBES - 2"x2"x1/8" 14ga
 POST TUBE SHALL MEET ASTM A1011 GRADE 50.
 POST TUBE GALVANIZED AS PER ASTM A653 GRADE 50.
 ANCHOR TUBE - 2-1/4"x2-1/4"x1/8" 14ga
 HEAVY DUTY ANCHOR TUBE SHALL MEET ASTM A500 GRADE B. STRUCTURAL TUBE AND STEEL SHALL BE HOT DIP GALVANIZED PER ASTM A123.
 THE UPPER SIGN POST SHALL TELESCOPE INSIDE THE ANCHOR TUBE A MINIMUM OF 12". THE ANCHOR TUBE SHALL BE A MINIMUM 2" DEEP WITH 1/2" MIN. 4" MAX. EXPOSED ABOVE FINISH GRADE.

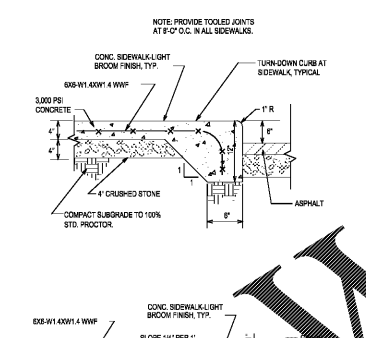
SIGN MOUNTING AND BASE DETAIL



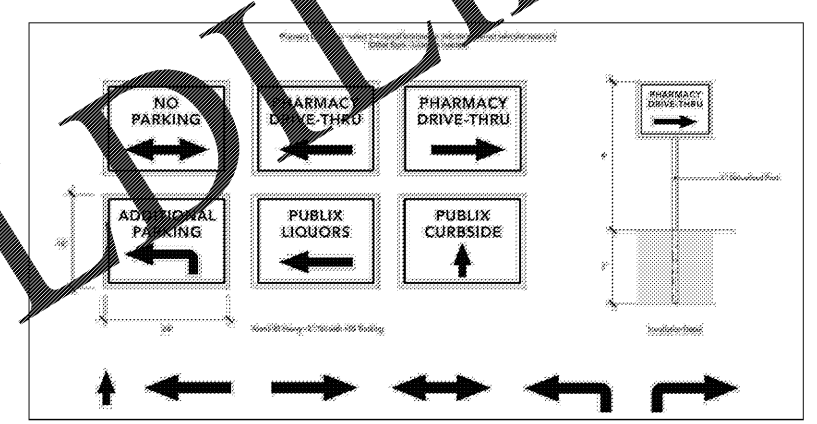
DIRECTIONAL ARROWS



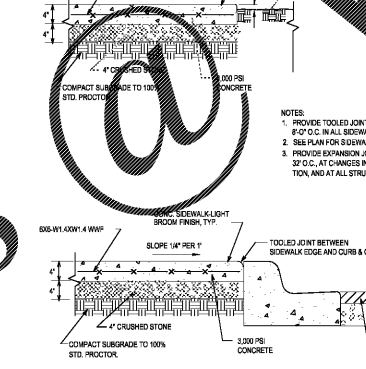
18" CURB AND GUTTER DETAIL



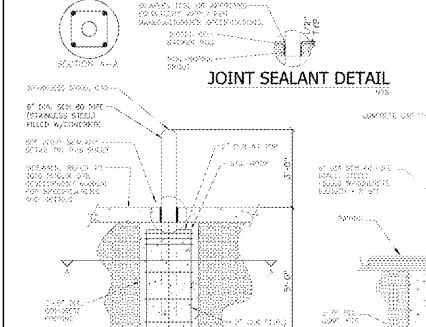
CONCRETE ISLAND DETAIL



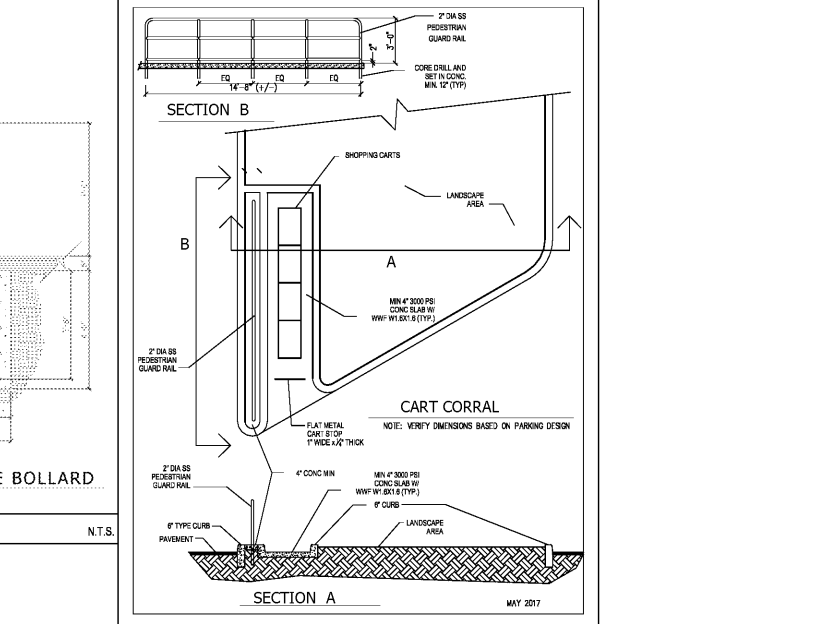
PARKING LOT DIRECTIONAL SIGNAGE



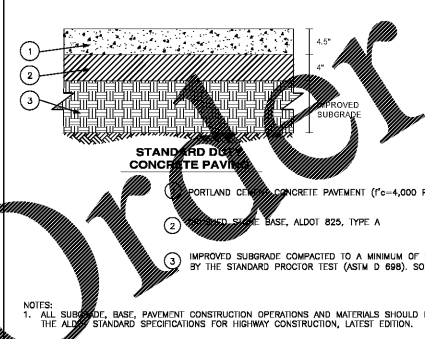
ON-SITE SIDEWALK DETAIL



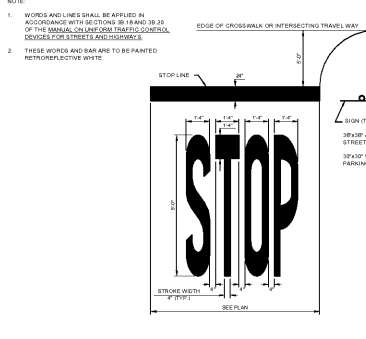
JOINT SEALANT DETAIL



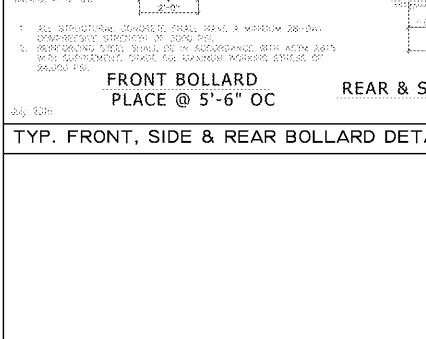
CART CORRAL



CONCRETE PAVING DETAIL



"STOP" MARKING WITH LEGEND

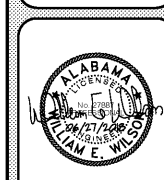


FRONT BOLLARD
REAR & SIDE BOLLARD

NO.	REVISIONS	DESCRIPTION	DATE	BY
0		ISSUED FOR APPROVAL		

GROCERY STORE & SHOPS AT TATTERSALL PARK
 TATTERSALL PARK
GREYSTONE WAY, LLC
 COND. BY: GONZALEZ, INC.
 B. WILSON, P.E.
 SCALE: SEE PLANS
 DATE:

GONZALEZ & ASSOCIATES, INC.
 CIVIL ENGINEERING, LAND SURVEYING, PLANNING, TRAFFIC & TRANSPORTATION
 5170 PARKWAY LAKE DRIVE
 TALLAHASSEE, FL 32310
 PHONE: (904) 842-2486
 FAX: (904) 842-3033
 www.Gonzalez-Strength.com
 © Copyright 2016



DWG NO. CSA - R0
 PROJECT 17WH002