

2017 Professional Seal - State of Alabama - Civil Engineering - David M. Gonzalez, P.E. - 171418

Order Plans @

WWW.LDILine.com

- NOTES:
- CONSIDERATION MUST BE GIVEN TO ANTICIPATED CLIMATE AND SEASONAL CONDITIONS WHEN PLANTING SEED.
 - SEED SHALL BE FREE OF WEEDY SPECIES AND APPROPRIATE FOR SITE SOILS AND REGIONAL CLIMATE. SEED AND MULCH PER THE CONSTRUCTION DRAWINGS AND THE 02900 PLANTING SPECIFICATION IMMEDIATELY AFTER TOPSOIL IS APPLIED AND FINAL GRADE IS REACHED.
 - THE SITE HAS ACHIEVED FINAL STABILIZATION ONCE ALL AREAS ARE COVERED WITH BUILDING FOUNDATION OR PAVEMENT, OTHER LANDSCAPING COVER (STONE, MULCH, ETC.), OR HAVE A STAND OF GRASS WITH A MINIMUM OF 85 PERCENT DENSITY OVER THE ENTIRE VEGETATED AREA, OR GREATER IN ACCORDANCE WITH THE GENERAL PERMIT REQUIREMENTS.
 - VEGETATED AREAS MUST BE WATERED, FERTILIZED, AND RESEEDED AS NEEDED TO ACHIEVE THIS REQUIREMENT.
 - THE VEGETATIVE DENSITY MUST BE MAINTAINED THROUGH PROJECT COMPLETION TO BE CONSIDERED STABILIZED. AREAS PROTECTED BY EROSION CONTROL BLANKETS ARE NOT PERMANENTLY STABILIZED UNTIL THE APPLICABLE GENERAL PERMIT REQUIREMENT FOR FINAL VEGETATIVE DENSITY IS ACHIEVED.
 - RIP-RAP, MULCH, GRAVEL, DECOMPOSED GRANITE OR OTHER EQUIVALENT PERMANENT STABILIZATION MEASURES MAY BE EMPLOYED IN LIEU OF VEGETATION BASED ON SITE-SPECIFIC CONDITIONS, DESIGN AND GOVERNING AUTHORITY APPROVAL.
 - ALL SEEDED AREAS SHALL BE INSPECTED REGULARLY TO CONFIRM THAT A HEALTHY STAND OF GRASS IS MAINTAINED.

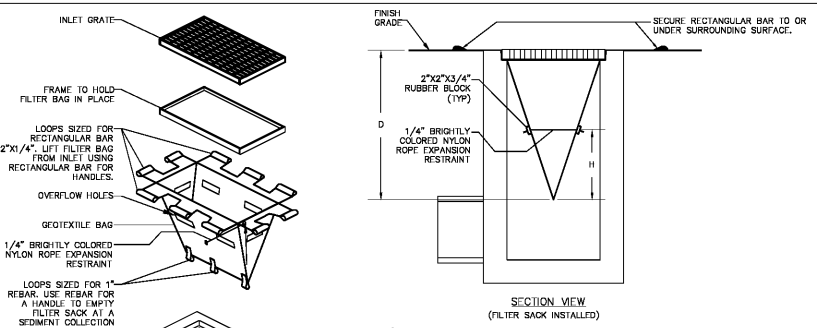
SVR SEEDING/VEGETATION REQUIREMENTS
N.T.S.

- NOTES:
- THE GC IS REQUIRED TO, AT A MINIMUM, INITIATE SOIL STABILIZATION MEASURES IMMEDIATELY WHENEVER ANY CLEARING OR EROSION-CAUSING DISTURBING ACTIVITIES HAVE PERMANENTLY CEASED ON ANY PORTION OF THE SITE, OR ARE STOPPED ON ANY PORTION OF THE SITE AND WILL NOT LIKELY OCCUR FOR A PERIOD EXCEEDING 30 DAYS.
 - THE GC HAS 7 DAYS FROM INITIATION OF STABILIZATION TO COMPLETE SOIL PREPARATION, SEEDING, MULCHING, AND ANY OTHER REQUIRED ACTIVITIES RELATED TO THE PLANTING AND ESTABLISHMENT OF VEGETATION. THE GC ALSO HAS 7 DAYS FROM INITIATION OF STABILIZATION TO COMPLETELY INSTALL NON-VEGETATED MEASURES, IF UTILIZED.
 - ALL DISTURBED AREAS MUST BE STABILIZED TEMPORARILY WITH THE USE OF FAST-GERMINATING ANNUAL GRASS SEED VARIETIES APPROPRIATE FOR SITE SOIL AND CLIMATE CONDITIONS. MULCH IS REQUIRED FOR ALL SEEDING APPLICATIONS, AND ALL MULCH APPLICATIONS MUST INCLUDE A SUITABLE FORM OF MULCH TO MINIMIZE MOVEMENT OF MULCH BY WIND OR WATER.
 - STABILIZATION MEASURES TO SEEDING, SUCH AS ANCHORED MULCH APPLICATION (WITHOUT SEEDING) MAY BE UTILIZED DURING PERIODS WHEN VEGETATIVE GROWTH IS UNLIKELY (E.G. WINTER MONTHS). IT IS NOT ACCEPTABLE TO ALLOW BARE SOIL TO REMAIN EXPOSED AT ANY TIME DURING THE YEAR, REGARDLESS OF WEATHER/TEMPERATURE/SITE CONDITIONS.
- ALTERNATIVE STABILIZATION MEASURES INCLUDE, BUT ARE NOT LIMITED TO: ANCHORED STRAW/HAY MULCH, WOOD CELLULOSE FIBER MULCH, SPRAY-ON SOIL GLUES/BINDERS, AND ROLLED EROSION CONTROL PRODUCTS.
- ALL ROLLED EROSION CONTROL PRODUCTS SHALL HAVE CURRENT QDR(M) STATUS ISSUED BY THE EROSION CONTROL TECHNOLOGY COUNCIL (ECTC) PLUS ANY STATE OR AGENCY-SPECIFIC REQUIREMENTS. EVIDENCE OF QDR(M) APPROVAL SHALL ACCOMPANY THE PRODUCT SHIPPED TO THE JOBSITE FOR READY IDENTIFICATION BY THE CONTRACTOR OR AGENCY INSPECTOR.
 - ROLLED EROSION CONTROL PRODUCTS (NETS, BLANKETS, TURF REINFORCED MATES) AND VEGETATED AREAS NOT MEETING REQUIRED VEGETATIVE DENSITY AND THE PLANTING AND ESTABLISHMENT OF VEGETATION. RUTTING AND OTHER SIGNS OF EROSION INDICATE THE SPECIFIED EROSION CONTROL DEVICE IS NOT FUNCTIONING OR INSTALLED PROPERLY AND/OR ADDITIONAL EROSION CONTROL DEVICES ARE WARRANTED.

TS TEMPORARY SEEDING OR STABILIZATION
N.T.S.

- NOTES:
- PERMANENT STABILIZATION SHALL BE ACCOMPLISHED IN ALL DISTURBED AREAS BY COVERING THE SOIL WITH PAVEMENT, BUILDING STRUCTURES, VEGETATION, OR OTHER FORMS OF SOIL STABILIZATION.
 - THE GC IS REQUIRED TO INITIATE PERMANENT SOIL STABILIZATION MEASURES IMMEDIATELY UPON REACHING FINAL GRADE. FOR THOSE AREAS NOT AT FINAL GRADE THAT WILL NOT BE DISTURBED FOR GREATER THAN 13 DAYS, THE CONTRACTOR SHOULD INITIATE TEMPORARY STABILIZATION PER THE TEMPORARY SEEDING OR STABILIZATION DETAIL.
 - THE GC HAS 7 DAYS FROM INITIATION OF STABILIZATION TO COMPLETE SOIL PREPARATION, SEEDING, MULCHING, AND ANY OTHER REQUIRED ACTIVITIES RELATED TO THE PLANTING AND ESTABLISHMENT OF VEGETATION. THE GC ALSO HAS 7 DAYS FROM INITIATION OF STABILIZATION TO COMPLETELY INSTALL NON-VEGETATED MEASURES, IF UTILIZED.
 - SOILS MUST BE PREPARED BEFORE INSTALLATION OF SOD OR SEED. SEE 02900 SPECIFICATION FOR INSTRUCTION ON PROPER SOIL PREPARATION.
 - AT THE COMPLETION OF GROUND-DISTURBING ACTIVITIES, THE ENTIRE SITE MUST HAVE PERMANENT VEGETATIVE COVER MEETING VEGETATIVE DENSITY REQUIREMENTS IN THE GENERAL PERMIT, OR MULCH PFR LANDSCAPE PLAN, IN ALL AREAS NOT COVERED BY HARDSCAPE (STONE, PAVEMENT, BUILDINGS, ETC.).
 - SEEDED AREAS SHALL BE PROTECTED WITH STRAW MULCH, HYDRAULIC MULCH OR A ROLLED EROSION CONTROL PRODUCT. STRAW MULCH MUST BE TACKLED OR CRIMPED BY DISC OR OTHER MACHINERY, AND ROLLED EROSION CONTROL PRODUCTS MUST BE INSTALLED PER MANUFACTURER RECOMMENDATIONS. ONLY SOD OR CONCRETE IS PERMITTED TO BE USED IN FLOW CONVEYANCE AREAS.
 - ALL AREAS TO BE SEEDED MUST MEET TOPSOIL DEPTH, PH AND ORGANIC CONTENT REQUIREMENTS AS SPECIFIED IN THE 02900 SPECIFICATION - PLANTING OR XERISCAPE SPECIFICATION.
 - FINAL SITE STABILIZATION IS ACHIEVED WHEN PERENNIAL VEGETATIVE COVER PROVIDES PERMANENT STABILIZATION WITH A UNIFORM DENSITY GREATER THAN 85 PERCENT OVER THE ENTIRE AREA TO BE STABILIZED BY VEGETATIVE COVER. THIS AREA IS EXCLUSIVE OF AREAS THAT ARE COVERED WITH ROCK (CRUSHED GRANITE, GRANITE, ETC.) OR LANDSCAPE MULCH, PAVED OR HAVE A BUILDING OR OTHER PERMANENT STRUCTURE ON THEM.

PS PERMANENT SEEDING, SOD OR MULCHING
N.T.S.



- NOTES:
- GEOTEXTILE SHALL BE A WOVEN POLYPROPYLENE FABRIC THAT MEETS OR EXCEEDS REQUIREMENTS IN THE SPECIFICATIONS TABLE.
 - PLACE AN OIL ABSORBENT PAD OR PILLOW OVER INLET GRATE WHEN OIL SPILLS ARE A CONCERN.
 - THE WIDTH, "W", OF THE FILTER SACK SHALL MATCH THE INSIDE WIDTH OF THE GRATED INLET BOX.
 - THE DEPTH, "D", OF THE FILTER SACK SHALL BE BETWEEN 18 INCHES AND 36 INCHES.
 - THE LENGTH, "L", OF THE FILTER SACK SHALL MATCH THE INSIDE LENGTH OF THE GRATED INLET BOX.
- MAINTENANCE NOTES:
- INLET PROTECTION DEVICES MUST BE INSPECTED FOR SEDIMENT ACCUMULATION WITHIN THE CATCH BASIN. REMOVE TRAPPED SEDIMENT WHEN BRIGHTLY COLORED EXPANSION RESTRAINT CAN NO LONGER BE SEEN.
 - REMOVAL OF SEDIMENT ACCUMULATED IN OR ADJACENT TO A STORM DRAIN INLET MUST BEEN IMMEDIATELY UPON DISCOVERY, WITH COMPLETION OF THE ACTIVITY OCCURRING NO LATER THAN THE END OF THE FOLLOWING BUSINESS DAY.
 - INLET PROTECTION DEVICES SHALL BE INSPECTED FOR UNINTENDED BYPASS OR IMPROPER FLOW-RATES THAT MAY CAUSE DOWNSTREAM FLOODING.
 - CONTACT THE GCE FOR ALTERNATE INLET PROTECTION IF THE DESIGNED PROTECTION MAY IMPACT DOWNSTREAM RIPS, ADJACENT SLOPES, ETC., DUE TO PONDING ISSUES. ENSURE THAT NO UNDERMINING OF INLET PROTECTION DEVICES HAS OCCURRED.
 - INLET PROTECTION DEVICES AND BARRIERS SHALL BE REPAIRED OR REPLACED IF THEY SHOW SIGNS OF UNDERMINING OR DETERIORATION.

LOW TO MODERATE FLOW GEOTEXTILE FABRIC SPECIFICATION TABLE			MODERATE TO HIGH FLOW GEOTEXTILE FABRIC SPECIFICATION TABLE		
PROPERTIES	TEST METHOD	UNITS	PROPERTIES	TEST METHOD	UNITS
GRAB TENSILE STRENGTH	ASTM D-4632	300 LBS	GRAB TENSILE STRENGTH	ASTM D-4632	285 LBS
GRAB TENSILE ELONGATION	ASTM D-4632	20 %	GRAB TENSILE ELONGATION	ASTM D-4632	20 %
PUNCTURE	ASTM D-4633	120 LBS	PUNCTURE	ASTM D-4633	135 LBS
MULLIN BURST	ASTM D-3785	800 PSI	MULLIN BURST	ASTM D-3785	420 PSI
TRAPZOID TEAR	ASTM D-4353	120 LBS	TRAPZOID TEAR	ASTM D-4353	45 LBS
UV RESISTANCE	ASTM D-4355	80 %	UV RESISTANCE	ASTM D-4355	80 %
APPEARANT OPENING SIZE	ASTM D-4751	40 US SEIV	APPEARANT OPENING SIZE	ASTM D-4751	20 US SEIV
FLOW RATE	ASTM D-4491	40 GAL/MIN/SQ FT	FLOW RATE	ASTM D-4491	200 GAL/MIN/SQ FT
PERMITTIVITY	ASTM D-4491	0.55 SEC -1	PERMITTIVITY	ASTM D-4491	1.5 SEC -1

PS-4 INLET PROTECTION FILTER SACK FOR GRATE INLET
N.T.S.

FOR USE ONLY IN PAVED AREAS WHERE SEDIMENT LOADS ARE EXPECTED TO BE VERY LOW. FILTER SACK MUST HAVE OVERFLOW HOLES TO PREVENT PONDING.

NO.	REVISIONS DESCRIPTION	DATE
1	ISSUED FOR APPROVAL	

TITLE

CBMPP SECTIONS & DETAILS

GROCERY STORE & SHOPS AT TATTERSALL PARK

TATTERSALL PARK

GREYSTONE WAY, LLC

SCALE: SEE PLANS

DATE:

DESIGNED BY: B. WILSON, P.E.

DRAWN BY: A. WILSON

GONZALEZ & ASSOCIATES, INC.

CIVIL ENGINEERING, LAND SURVEYING, PLANNING, TRAFFIC & TRANSPORTATION

5170 PARKWAY LAKE DRIVE

MOBILE, AL 36688-4444

PHONE: (205) 942-2486

FAX: (205) 942-3033

www.Gonzalez-Strength.com

© Copyright 2016



DWG NO. C7F - R0

PROJECT 17WH002