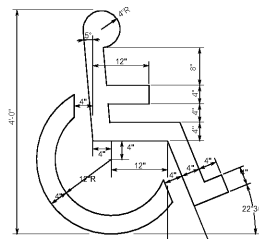


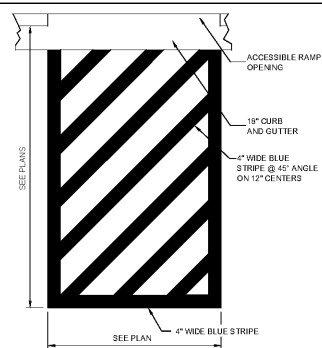
ENTRANCE RAMP DETAIL

N.T.S.



HANDICAPPED PAINT SYMBOL LAYOUT

N.T.S.



ACCESSIBLE ACCESS AISLE

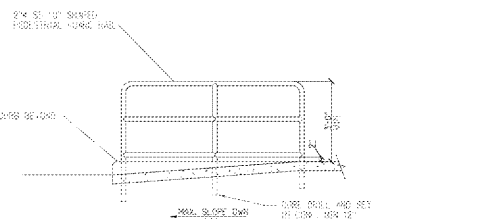
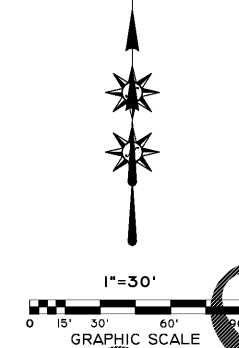
N.T.S.

ACCESSIBILITY LEGEND

- 1. ENTRANCE RAMP REQ'D. SEE DETAIL.
- 2. ACCESSIBLE PARKING SPACE REQ'D. TYPICAL. SEE DETAIL 8 FOR ACCESSIBLE SIGN, ARROW, AND SYMBOL. "V" INDICATES VAN-ACCESSIBLE SPACE.
- 3. PEDESTRIAN CROSSWALK REQ'D. 4" SOLID WHITE PAINT STRIPING 45° TO FLOW OF TRAFFIC @ 2' O.C. AND 4" WHITE EDGE STRIPE.
- 4. TYPE I ACCESSIBLE RAMP REQ'D. SEE DETAIL.
- 5. TYPE II ACCESSIBLE RAMP REQ'D. SEE DETAIL.

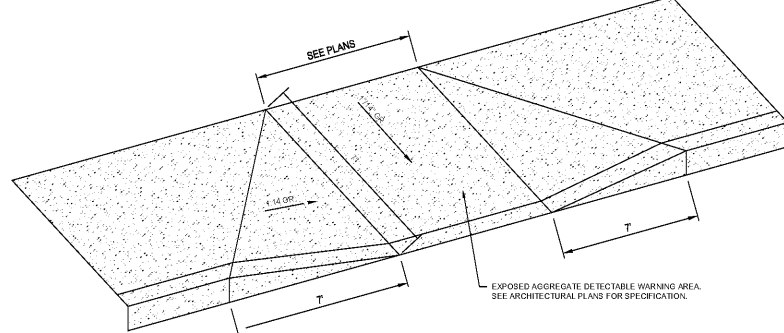
GENERAL NOTES

- 1. ACCESSIBLE SYMBOLS, SIGNS, AND RAMPS SHALL BE INSTALLED IN ACCORDANCE WITH LOCAL, STATE, AND ADA REQUIREMENTS. MAXIMUM SLOPE IN ACCESSIBLE AREAS SHALL NOT EXCEED 2% IN ANY DIRECTION.
- 2. DIRECTIONAL ARROWS AND PARKING SPACES STRIPING SHALL BE WHITE. ACCESSIBLE PARKING STRIPING AND SYMBOL SHALL BE BLUE UNLESS LOCAL CODES INDICATE OTHERWISE.
- 3. ALL SHOWINGS SHALL CONFORM TO ADA AND CITY AND STATE REQUIREMENTS FOR ACCESSIBLE SPACES.



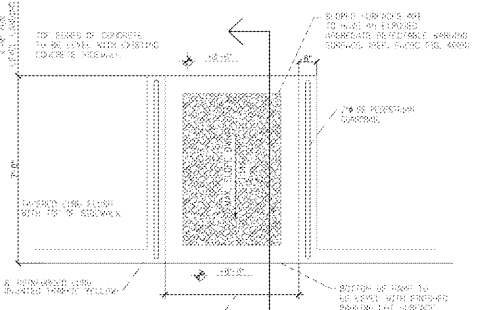
SECTION

N.T.S.



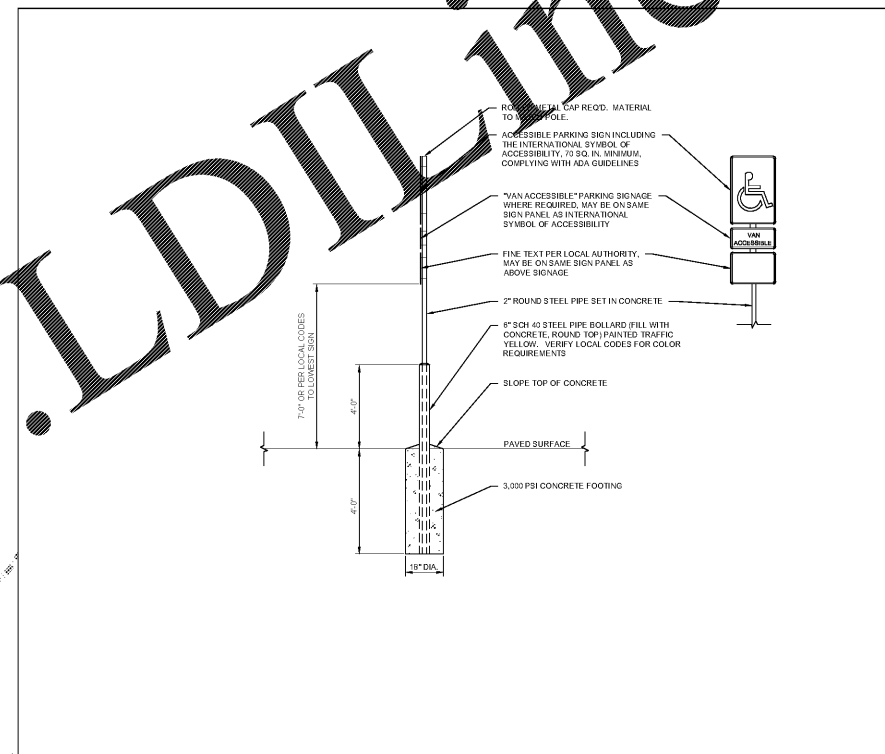
TYPE II ACCESSIBLE RAMP DETAIL

N.T.S.



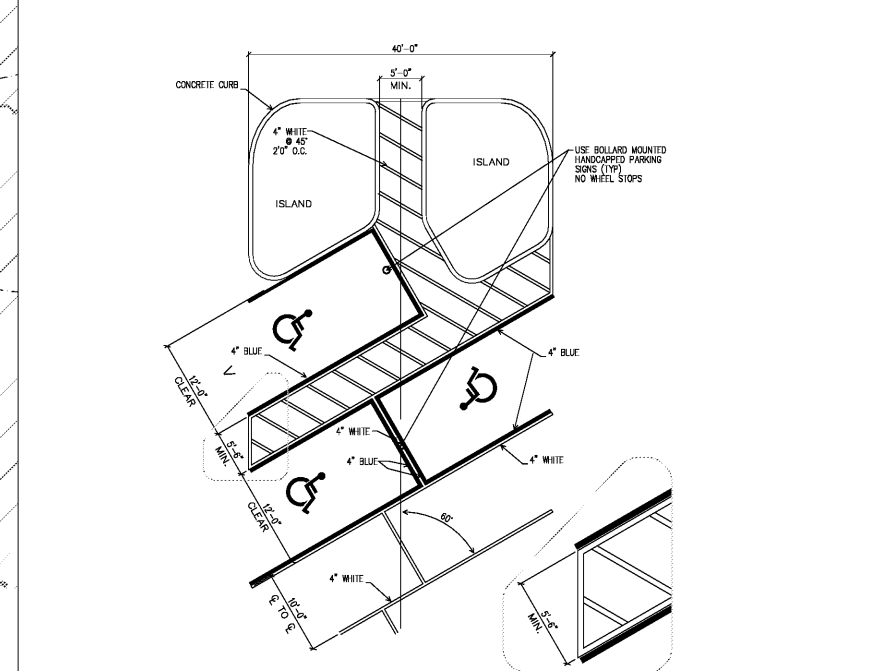
TYPE I ACCESSIBLE RAMP DETAIL

N.T.S.



ACCESSIBLE PARKING SIGN DETAIL

N.T.S.



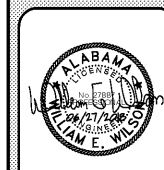
60° ACCESSIBLE PARKING DETAIL

N.T.S.

NO.	REVISIONS	DESCRIPTION	DATE
1	ISSUED FOR APPROVAL		06/27/2016
2	PUBLIC COMMENTS		

TITLE	DATE
SITE ACCESSIBILITY PLAN	
GROCERY STORE & SHOPS AT TATTERSALL PARK	
TATTERSALL PARK	
GREYSTONE WAY, LLC	
OWN BY	SCALE
A. WILSON	BEE PLANS
DESIGNED BY	DATE
B. WILSON, P.E.	

GONZALEZ - STRENGTH & ASSOCIATES, INC.
 CIVIL ENGINEERING, LAND SURVEYING, PLANNING, TRAFFIC & TRANSPORTATION
 2176 PARKWAY LAKE DRIVE
 TALLAHASSEE, FLORIDA 32310
 PHONE: (904) 942-2486
 FAX: (904) 942-3033
 www.Gonzalez-Strength.com
 © Copyright 2016



DWG NO.	C4 - P1
PROJECT	17WH02

Order Plans

GROCERY STORE
 48,10 PROTOTYPE
 ± 48,387 SF
 ± 29 ACRES
 FFE: 599.00

RETAIL
 ± 9,100 SF
 FFE: 599.00

PARCEL 1
 PORTION OF PARCEL
 03-9-32-0-001-006.000
 376,646 Sq. Feet
 7.23 acres

ACRES
 PARCEL ID
 03-9-32-0-001-006.000

APPROXIMATE LOCATION
 OF FLOODWAY

4/20/17 Project: 17WH02, 17WH03, 17WH04, 17WH05, 17WH06, 17WH07, 17WH08, 17WH09, 17WH10, 17WH11, 17WH12, 17WH13, 17WH14, 17WH15, 17WH16, 17WH17, 17WH18, 17WH19, 17WH20, 17WH21, 17WH22, 17WH23, 17WH24, 17WH25, 17WH26, 17WH27, 17WH28, 17WH29, 17WH30, 17WH31, 17WH32, 17WH33, 17WH34, 17WH35, 17WH36, 17WH37, 17WH38, 17WH39, 17WH40, 17WH41, 17WH42, 17WH43, 17WH44, 17WH45, 17WH46, 17WH47, 17WH48, 17WH49, 17WH50, 17WH51, 17WH52, 17WH53, 17WH54, 17WH55, 17WH56, 17WH57, 17WH58, 17WH59, 17WH60, 17WH61, 17WH62, 17WH63, 17WH64, 17WH65, 17WH66, 17WH67, 17WH68, 17WH69, 17WH70, 17WH71, 17WH72, 17WH73, 17WH74, 17WH75, 17WH76, 17WH77, 17WH78, 17WH79, 17WH80, 17WH81, 17WH82, 17WH83, 17WH84, 17WH85, 17WH86, 17WH87, 17WH88, 17WH89, 17WH90, 17WH91, 17WH92, 17WH93, 17WH94, 17WH95, 17WH96, 17WH97, 17WH98, 17WH99, 17WH00