

NAMEPLATES FOR ESSENTIAL EQUIPMENT SHALL BE LAMINATED RED PHENOLIC RESIN WITH SOLID WHITE CORE WITH ENGRAVED LETTERING MINIMUM OF 1/8 INCH HEIGHT. NAMEPLATES FOR NORMAL BRANCH EQUIPMENT SHALL BE BLACK WITH WHITE CORE.

ENGRAVE THE FOLLOWING INFORMATION ON EACH EQUIPMENT IDENTIFICATION NAMEPLATE, SIMILAR TO THAT SHOWN IN THE EXAMPLES, EXCEPT APPROPRIATE FOR THE SPECIFIC EQUIPMENT BEING IDENTIFIED:

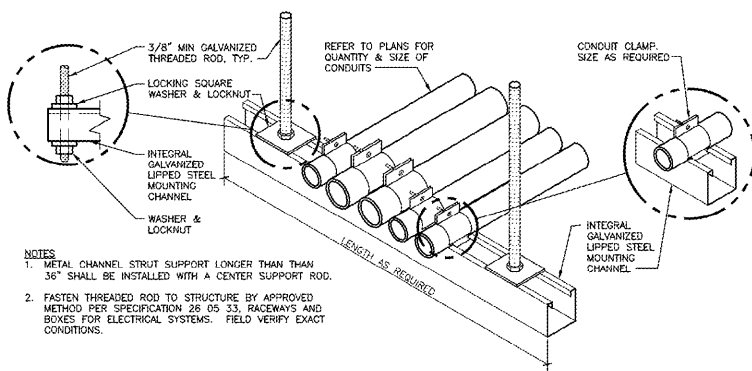
- IN THE FIRST LINE, INDICATE THE EQUIPMENT TYPE AND NAME (FOLLOWED BY THE ESSENTIAL BRANCH, IF APPLICABLE).
- IN THE SECOND LINE, INDICATE THE EQUIPMENT VOLTAGE, PHASE, AND NUMBER OF WIRES.
- IN THE SUBSEQUENT LINES, INDICATE THE WORDS "SERVED FROM" FOLLOWED BY THE NAME AND LOCATION OF THE SOURCE EQUIPMENT. IF THE EQUIPMENT IS SUPPLIED THROUGH AN ATS OR OTHER ITEM WITHOUT DISCONNECTS, INCLUDE DATA ON ALL UPSTREAM DISCONNECTS; AND BENEATH THE SOURCES ADD THE WORD "THROUGH" FOLLOWED BY THE NAME OF THE EQUIPMENT THAT THE SOURCES ARE CONNECTED THROUGH.

PANEL FPES (LIFE SAFETY)  
480Y/277 VOLTS, 3-PHASE, 4-WIRE  
SERVED FROM  
EMDP-5 (RM. EB65-1) AND SWBD-3 (RM. EB66-1)  
THROUGH ATS-E2 (RM. EB65-1)

TRANSFER SWITCH ATS-E2 (LIFE SAFETY)  
480Y/277 VOLTS, 3-PHASE, 4-WIRE  
SERVED FROM  
EMDP-5 (RM. EB65-1) AND SWBD-3 (RM. EB66-1)

### 1 EQUIPMENT NAMEPLATE DETAIL

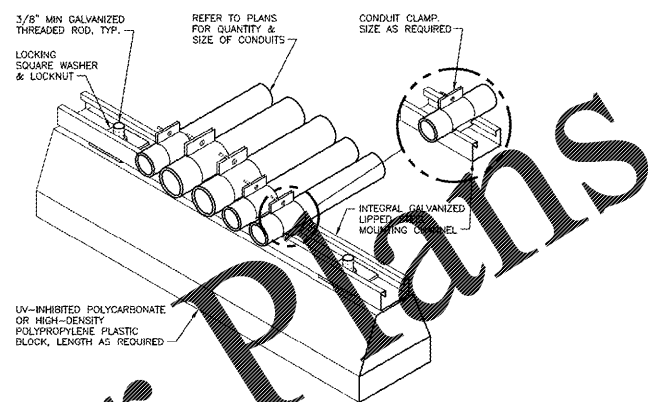
SCALE: N.T.S.



- NOTES:
- METAL CHANNEL STRUT SUPPORT LONGER THAN THAN 36" SHALL BE INSTALLED WITH A CENTER SUPPORT ROD.
  - FASTEN THREADED ROD TO STRUCTURE BY APPROVED METHOD PER SPECIFICATION 28 05 33, RACEWAYS AND BOXES FOR ELECTRICAL SYSTEMS. FIELD VERIFY EXACT CONDITIONS.

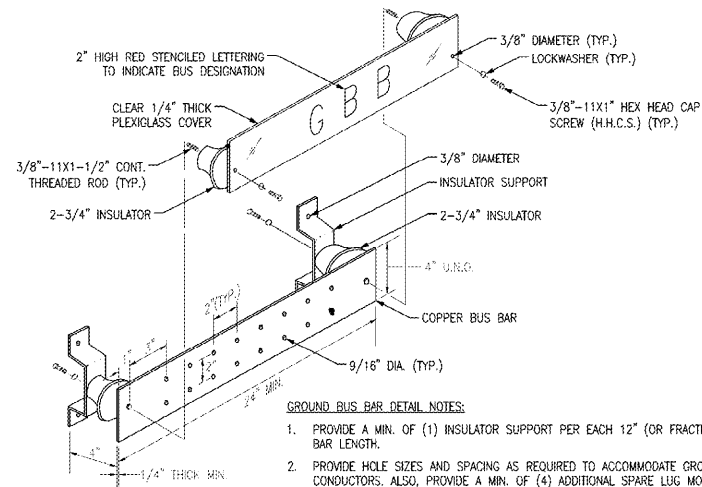
### 2 CONDUIT TRAPEZE MOUNTING DETAIL

SCALE: N.T.S.



### 3 CONDUIT TRAPEZE MOUNTING DETAIL

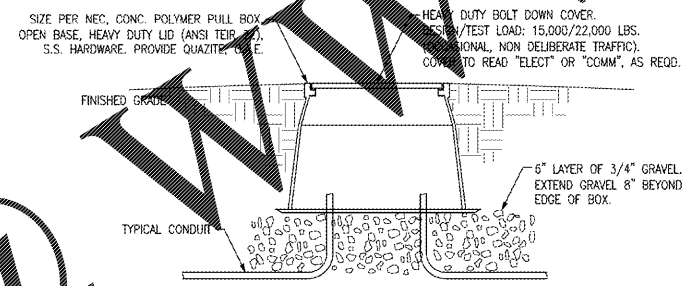
SCALE: N.T.S.



- GROUND BUS BAR DETAIL NOTES:
- PROVIDE A MIN. OF (1) INSULATOR SUPPORT PER EACH 12" (OR FRACTION) OF BUS BAR LENGTH.
  - PROVIDE HOLE SIZES AND SPACING AS REQUIRED TO ACCOMMODATE GROUNDING CONDUCTORS. ALSO, PROVIDE A MIN. OF (4) ADDITIONAL SPARE LUG MOUNTING HOLES.
  - ALL HARDWARE SHOWN SHALL BE STAINLESS STEEL.
  - "DOUBLING UP" OR "STACKING" OF CONNECTIONS IS NOT PERMITTED.
  - PROVIDE OXIDE-INHIBITING JOINT COMPOUND ON ALL CONNECTIONS.
  - BACK TO BACK CONNECTIONS SHALL NOT BE USED. PROVIDE BAR LENGTH AS REQUIRED TO ACCOMMODATE ALL LUGS PLUS SPARES ON FRONT SIDE.

### 4 GROUND BUS BAR DETAIL

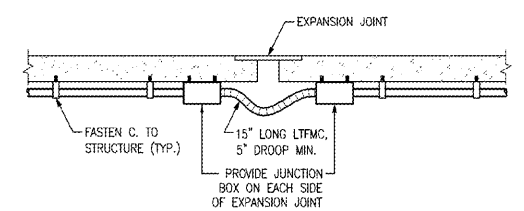
SCALE: N.T.S.



- NOTES:
- PROVIDE IN-GROUND PULL BOXES FOR POWER RACEWAY AND SYSTEMS RACEWAY AS NOTED ON PLANS, OR AS CODE AND NEED REQUIRES.
  - PROVIDE NP "BELL" JUNCTION BOX INSIDE EACH PULL BOX, TO MAINTAIN SEPARATION OF FIRE ALARM CABLING FROM OTHER SYSTEMS CONDUCTORS.
  - ALL BENDS (HORIZONTAL AND VERTICAL) SHALL BE PVC COATED RGS.

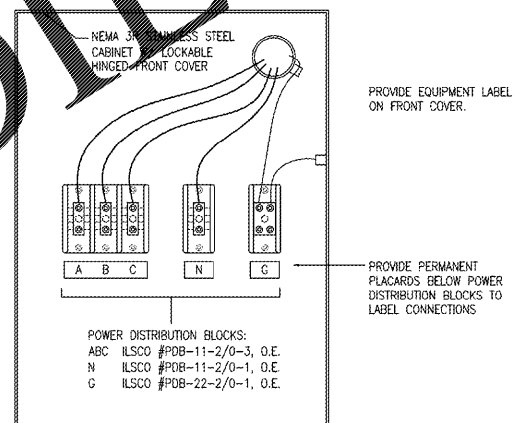
### 5 PULLBOX DETAIL - UNPAVED AREA

SCALE: N.T.S.



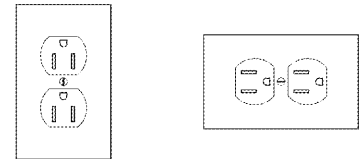
### 6 EXPANSION JOINT CROSSING - SMALL CONDUITS

SCALE: N.T.S.



### 7 TEMPORARY BOILER PROVISIONS

SCALE: N.T.S.



### 8 GROUND PIN ORIENTATION

SCALE: N.T.S.

Vertical scale markings on the left side of the drawing, including 'three inches = one foot', 'one and one half inches = one foot', 'one inch = one foot', 'three quarters inch = one foot', 'one half inch = one foot', 'three eighths inch = one foot', 'one quarter inch = one foot', 'one eighth inch = one foot', 'one sixteenth inch = one foot'.

Order Plans

CONSULTANTS:	ENGINEER-IN-CHARGE DARD J. FRANK
	FL P.E. NO. 73817

ARCHITECT/ENGINEERS:	PROJECT TITLE
<b>AKEA INC.</b>	REPLACE BOILERS - FCA D. ENERGY AT THE MALCOM RANDALL VAMC
3803 NW 98th Street, Suite B Gainesville, FL 32606 Phone: (352) 474-6124 Fax: (352) 553-4437 CDA: FL #26693 AKEA Project No. 083-14	Project Number 573-14-600 Building Number Drawing Number EP501 111 OF 127

Drawing Title	Project Title
ELECTRICAL DETAILS	REPLACE BOILERS - FCA D. ENERGY AT THE MALCOM RANDALL VAMC
Approved: Project Director	Location GAINESVILLE, FLORIDA
	Date MARCH 9, 2016
	Checked CFJ
	Drawn KLL

Office of Construction and Facilities Management	Department of Veterans Affairs
--	--------------------------------

FINAL DESIGN  
APPROVED FOR CONSTRUCTION