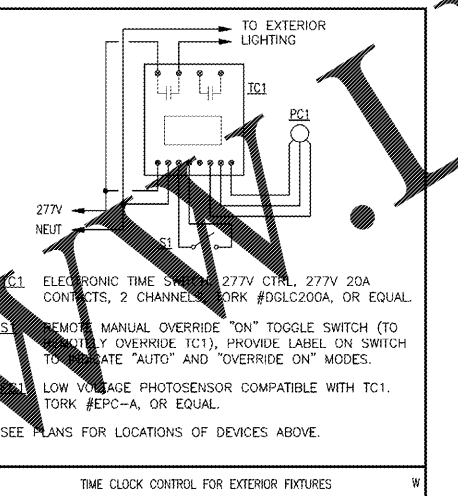
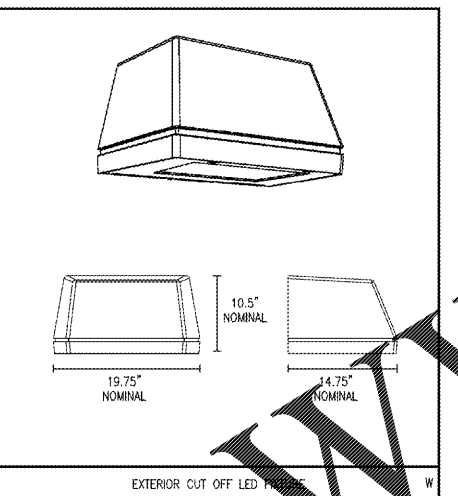
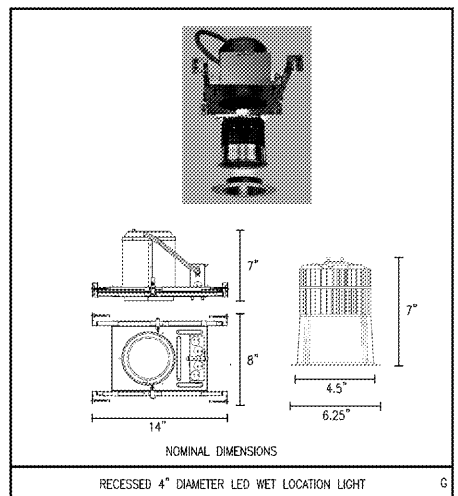
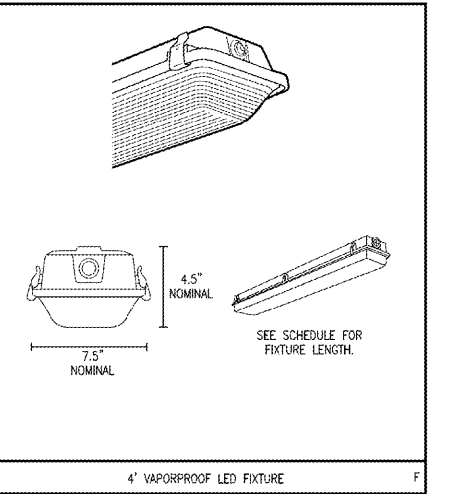
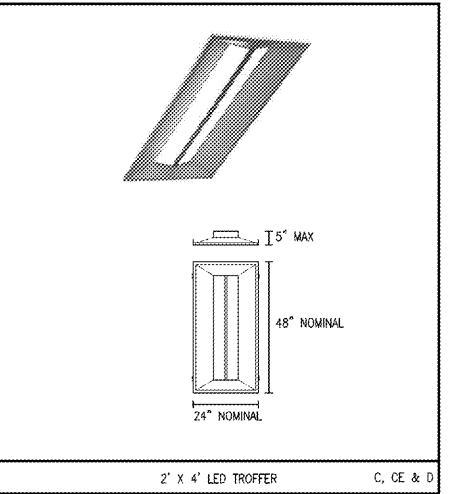
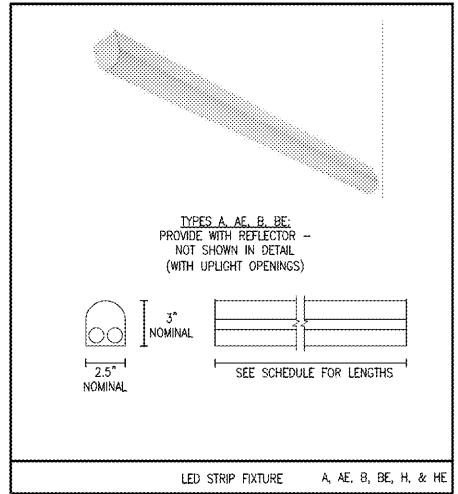
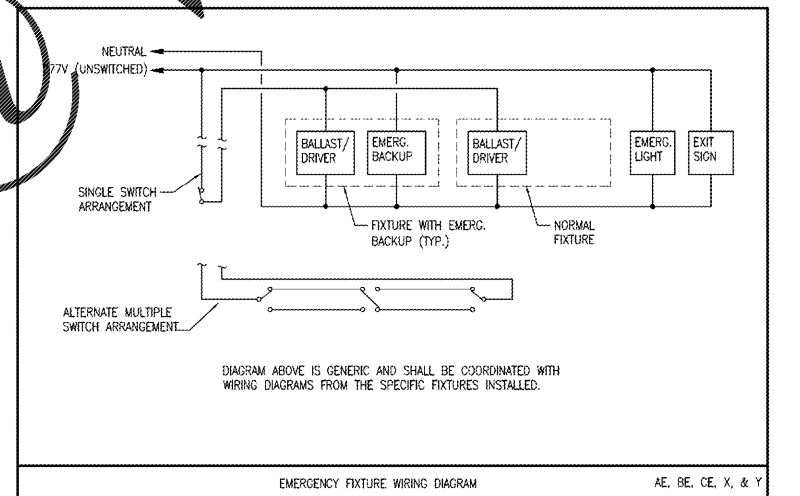
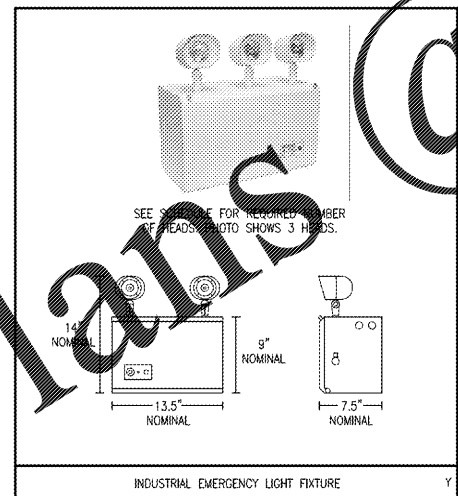
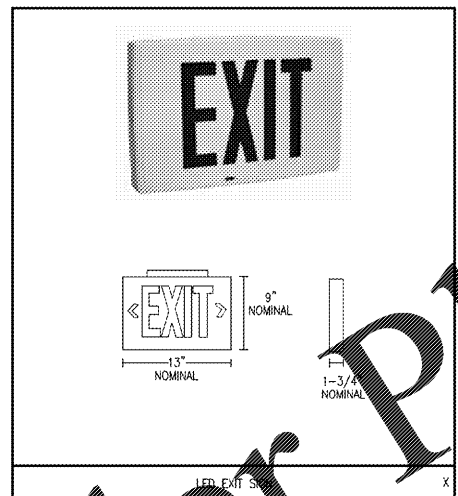


three inches in one foot  
one and one half inches in one foot  
one inch in one foot  
three quarters inch in one foot  
one half inch in one foot  
three eighths inch in one foot  
one quarter inch in one foot  
one eighth inch in one foot



LIGHTING FIXTURE SCHEDULE							
FIXTURE TYPE	LAMPS	WATTAGE	VOLTAGE	MOUNTING	BASIS OF DESIGN MANUFACTURER CATALOG NUMBER	DESCRIPTION	
A	LED 4000K	44	UNV	UNISTRUT	CREE LS4-40L-40K-10V-LS4-AR	4' LED SURFACE MOUNTED LIGHT FIXTURE, 0-10V DIMMING, 4000K, UL DAMP LISTED. PROVIDE WITH APERTURED REFLECTOR WITH UPLIGHT OPTION.	
AE	LED 4000K	44	UNV	UNISTRUT	CREE LS4-40L-40K-10V-EB14-LS4-AR	SAME AS TYPE A, EXCEPT WITH EMERGENCY BACKUP OPTION.	
B	LED 4000K	88	UNV	UNISTRUT	CREE LS8-40L-40K-10V-LS8-AR	8' LED SURFACE MOUNTED LIGHT FIXTURE, 92 CRI, 0-10V DIMMING, 4000K, UL DAMP LISTED. PROVIDE WITH APERTURED REFLECTOR WITH UPLIGHT OPTION.	
C	LED 4000K	40	UNV	RECESSED IN GRID	CREE CR24-40L-40K-10V	2' X 4' LED TROFFER, 0.9 POWER FACTOR, 0-10V DIMMING, UL DAMP LISTED. PROVIDE COMPATIBLE DIMMERS AND POWER PACKS TO ACCOMPLISH 3-WAY DIMMING IN CONTROL ROOM. PROVIDE NEUTRAL TO SWITCHES AS REQUIRED.	
CE	LED 4000K	40	UNV	RECESSED IN GRID	CREE CR24-40L-40K-10V-EB14	SAME AS TYPE C, EXCEPT WITH EMERGENCY BACKUP OPTION.	
	LED 4000K	40	UNV	RECESSED IN GRID	CREE CR24-40L-40K	2' X 4' LED TROFFER, 0.9 POWER FACTOR, UL DAMP LISTED.	
F	LED 4000K	73	UNV	SURFACE	H.E. WILLIAMS 96-4-L40/840-HIAFR-DRV-UNV	4' LED INDUSTRIAL FIXTURE, FULLY ENCLOSED AND GASKETED, 4000K, 82CRI, 50,000 HOURS, CONSTANT CURRENT, CLASS 2 DRIVER, UL DAMP LISTED.	
G	LED 3500K	11.1	120	RECESSED IN CEILING	CREE LR4E-30C+H4-LT4-30WH	4' LED DOWN LIGHT, 90 CRI, 3500K, 50,000 HOURS, UL WET LISTED.	
H	LED 4000K	44	UNV	SURFACE	CREE LS4-40L-40K-10V	4' LED SURFACE MOUNTED LIGHT FIXTURE, 92 CRI, 0-10V DIMMING, 4000K, UL DAMP LISTED.	
HE	LED 4000K	44	UNV	SURFACE	CREE LS4-40L-40K-10V-EB14	SAME AS TYPE H, EXCEPT WITH EMERGENCY BACKUP OPTION.	
W	LED 4100K	103	UNV	WALL	PHILIPS STONCO WTL90WLU-SC2-FGS	LARGE FULL CUT OFF LED WALL PACK LIGHTING FIXTURE, HEAVY DUTY DIE CAST ALUMINUM HOUSING WITH HEAT SINK, TEMPERED GLASS LENS, UL WET LISTED. PROVIDE WITH INTEGRAL SURGE PROTECTION, UL 1449.	
X	LED	<5	UNV	SURFACE	PHILIPS CHLORIDE SC-N-1-R-W-IC-DL-TA	EXIT SIGN WITH DIE-CAST ALUMINUM WHITE HOUSING, RED LETTERING, UNIVERSAL MOUNTING, Ni-Cad BATTERY. PROVIDE SINGLE OR DOUBLE FACED SIGNS AND CHEVRON ARROWS AS INDICATED ON DRAWINGS. UL DAMP LISTED.	
Y	(2) MR16 35W FLOOD HALOGEN	70 (EM.) 52 (CHARGING)	277 AC 12 DC	WALL	PHILIPS CHLORIDE TNM75-M35F-2-IC-DL-TA	DUAL HEAD EMERGENCY LIGHTING FIXTURE FOR INDUSTRIAL LOCATIONS. METAL LAMP HEADS, 40 DEGREE FLOOD OPTICS UL DAMP LISTED. AUDIBLE SELF-DIAGNOSTICS. Ni-Cad BATTERY.	



Order Plans @

FINAL DESIGN  
APPROVED FOR CONSTRUCTION

CONSULTANTS:  	ENGINEER-OF-RECORD CHAD J. FRUECK 	ARCHITECT/ENGINEERS: <b>AKEA INC.</b> 3803 NW 98th Street, Suite B Gainesville, FL 32606 Phone: (352) 474-6124 Fax: (352) 553-4437 ODA: FL #26693 AKEA Project No. 083-14	Drawing Title <b>LIGHTING DETAILS AND SCHEDULE</b>	Project Title <b>REPLACE BOILERS - FCA D, ENERGY AT THE MALCOM RANDALL VAMC</b>	Project Number <b>573-14-600</b>	Office of Construction and Facilities Management
Approved: Project Director	Location <b>GAINESVILLE, FLORIDA</b>	Drawing Number <b>EL501</b>	Date <b>MARCH 9, 2016</b>	Checked <b>CFJ</b>	Drawn <b>KLL</b>	Department of Veterans Affairs