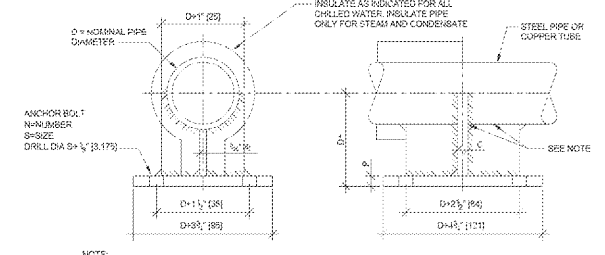
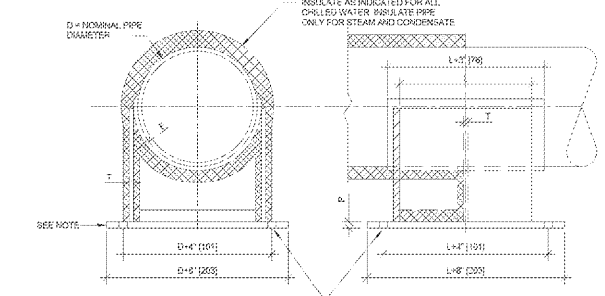


PIPE ANCHOR SCHEDULE										BOLT PATTERN
DN	DN	DN	DN	DN	DN	DN	DN	DN	DN	
1 1/2	2	3	4	6	8	10	12	16	20	
2	3	4	6	8	10	12	16	20		
3	4	6	8	10	12	16	20	24		
4	6	8	10	12	16	20	24	30		
6	8	10	12	16	20	24	30	36		

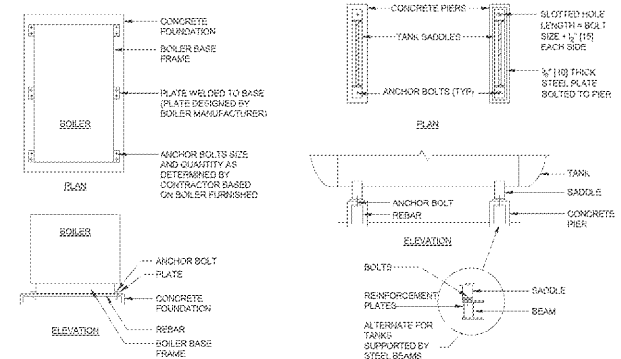


DETAIL - SMALL PIPE ANCHOR 1 1/2"-4"
SCALE: NONE

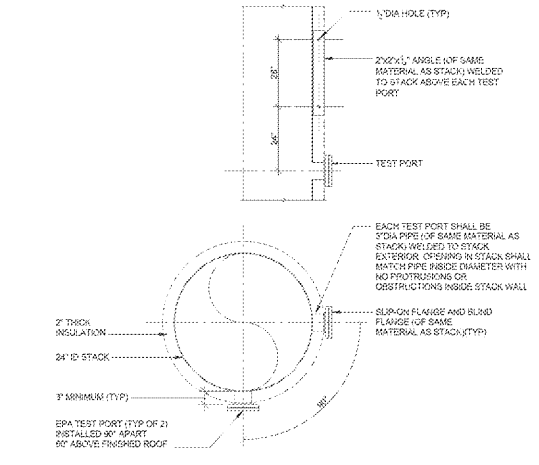
PIPE ANCHOR SCHEDULE										BOLT PATTERN
DN	DN	DN	DN	DN	DN	DN	DN	DN	DN	
6	8	10	12	16	20	24	30	36	42	
8	10	12	16	20	24	30	36	42		
10	12	16	20	24	30	36	42	48		
12	16	20	24	30	36	42	48	54		
14	18	24	30	36	42	48	54	60		



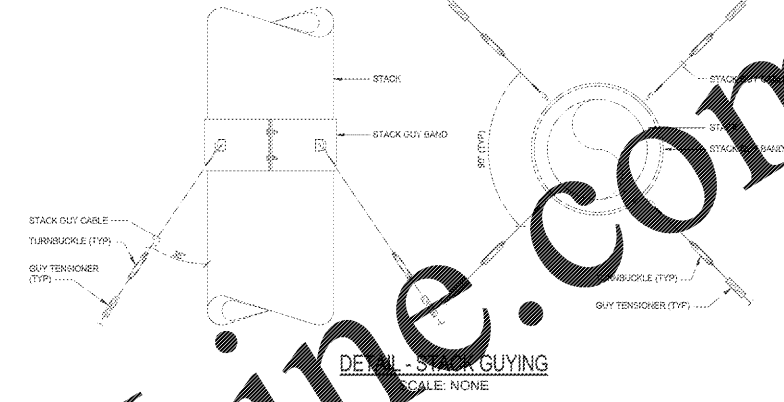
DETAIL - LARGE PIPE ANCHOR 6"-18"
SCALE: NONE



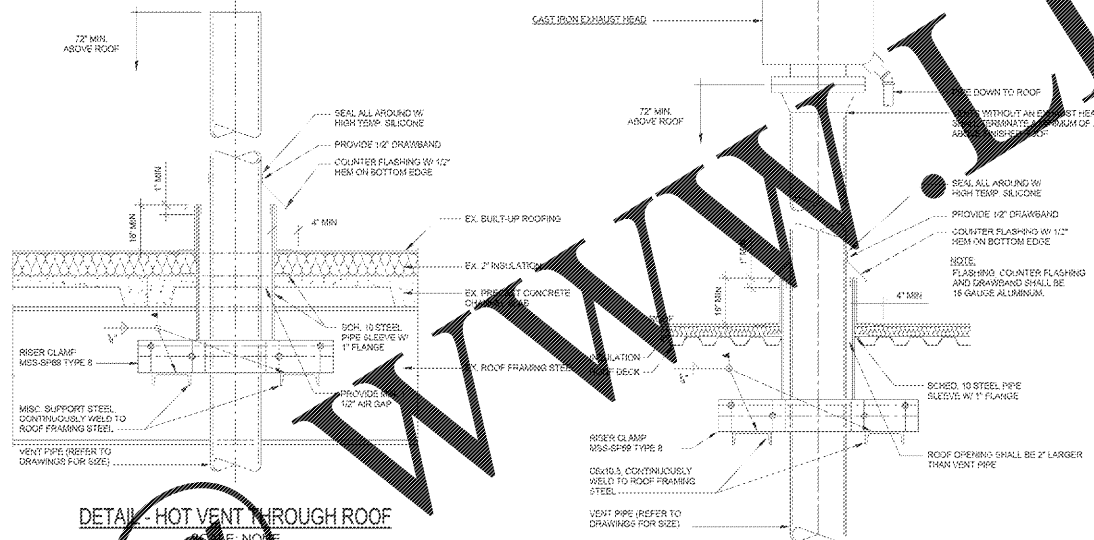
DETAIL - TYPICAL EQUIPMENT ANCHORING
PACKAGED BOILER, DEAERATOR, CONDENSATE STORAGE TANK
SCALE: NONE



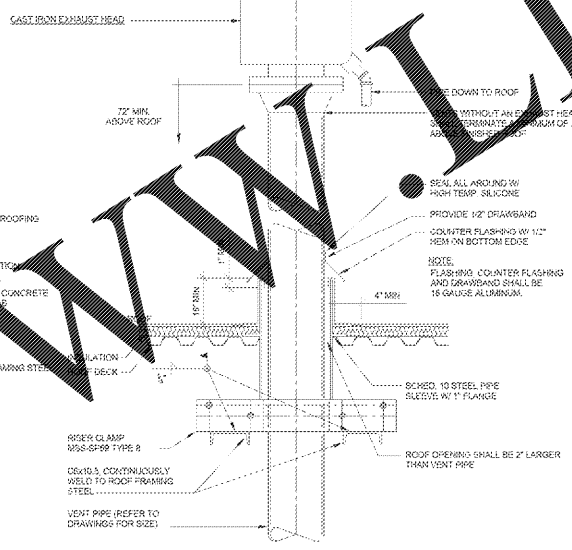
DETAIL - TYPICAL BOILER STACK EPA TEST PORTS
SCALE: NONE



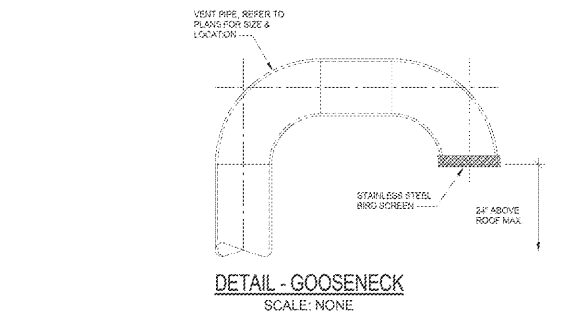
DETAIL - STACK GUYING
SCALE: NONE



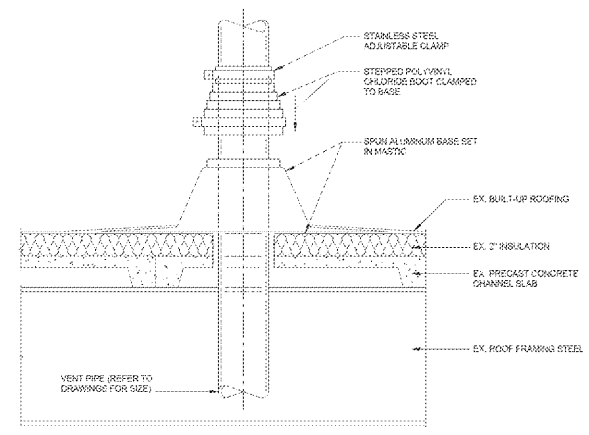
DETAIL - HOT VENT THROUGH ROOF
SCALE: NONE



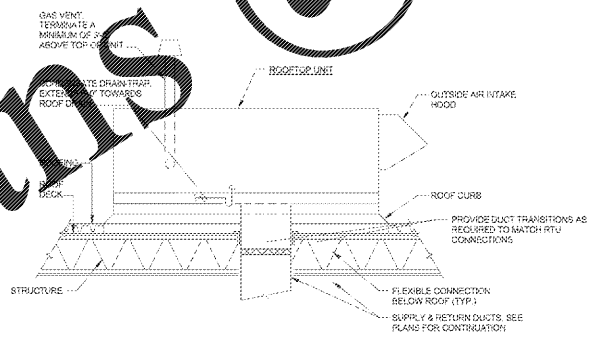
DETAIL - HOT VENT THRU ROOF
SCALE: NONE



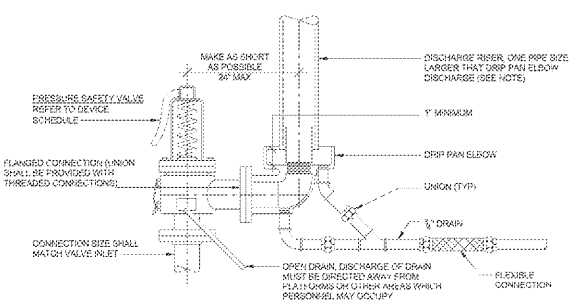
DETAIL - GOOSENECK
SCALE: NONE



DETAIL - COLD VENT THROUGH ROOF
SCALE: NONE



DETAIL - ROOFTOP UNIT
SCALE: NONE



DETAIL - SAFETY RELIEF VALVE
SCALE: NONE

- NOTES:
- CONTROL WIRING SHALL BE RUN IN CONDUIT
 - PROVIDE OUTSIDE AIR INTAKES SIZED FOR 100%

- NOTES:
- UNLESS OTHERWISE SHOWN ON THE DRAWING, SIZE THE VENT PIPE SO THAT STEAM IS NOT BLOWN OUT AT THE VENT PIPE ENTRANCE. UTILIZE THE CALCULATION METHOD CONTAINED IN ANSI B31.1, POWER PIPING CODE, APPENDIX E.

- NOTES:
- THE RE-USE OF AN EXISTING PENETRATOR SHALL BE FINISHED TO MATCH EXISTING OR PRE-DEMOLITION.

Order Plans @ www.DILine.com

www.DILine.com

FINAL DESIGN
APPROVED FOR CONSTRUCTION

CONSULTANTS: Affiliated Engineers SE, Inc. Three Town Center 12821 SW 1st Road, Suite 205 Gainesville, Florida 32609 Tel: 352.375.5500 Fax: 352.375.3479 CEN-0142	ARCHITECT/ENGINEERS: AKEA INC 1803 NW 58th Street, Suite B Gainesville, FL 32606 Phone: (352) 474-8124 Fax: (352) 503-8437 CO: FL #26493 AKEA Project No. 083-14	Drawing Title MECHANICAL DETAILS	Project Title REPLACE BOILERS - FCA D. ENERGY AT THE MALCOM RANDALL VAMC	Project Number 573-14-600 Building Number	Office of Construction and Facilities Management
		Approved: Project Director	Location GAINESVILLE, FLORIDA	Drawing Number MP502 73 OF 127	
Revisions:	Date	Date MARCH 9, 2016	Checked JSN	Drawn RWD	