

ROOM FINISH SCHEDULE															ABBREVIATIONS				
ROOM NUMBER	ROOM NAME	FLOOR MATERIAL		BASE MATERIAL		WALLS						CEILING		REMARKS	TWC	CT			
		MATERIAL	COLOR	MATERIAL	COLOR	NORTH		EAST		SOUTH		WEST					MATERIAL	COLOR	HGT.
						MATERIAL	COLOR	MATERIAL	COLOR	MATERIAL	COLOR	MATERIAL	COLOR						
100	HALLWAY	CONCRETE	5	VINYL	7	GYP BRD./PT	1	GYP BRD./PT	1	CMU/PT	6	CMU/PT	6	GYP BRD./PT	3	10'-0"			
101	SHOP AREA	CONCRETE	5	VINYL	7	GYP BRD./PT	1	CMU/PT	6	CMU/PT	6	GYP BRD./PT	1	GYP BRD./PT	3	10'-0"			
102	LOCKERS	CERAMIC TILE	2	CERAMIC TILE	2	GYP BRD./PT	1	CMU/PT	6	GYP BRD./PT	1	GYP BRD./PT	3	8'-0"					
103	TOILET	CERAMIC TILE	2	CERAMIC TILE	2	CERAMIC TILE	2	CERAMIC TILE	2	CERAMIC TILE	2	CERAMIC TILE	2	MRG/PT	3	8'-0"			
104	SHOWER	CERAMIC TILE	2	CERAMIC TILE	2	CERAMIC TILE	2	CERAMIC TILE	2	CERAMIC TILE	2	CERAMIC TILE	2	MRG/PT	3	8'-0"			
105	LAB/BREAK ROOM	CONCRETE	5	VINYL	7	GYP BRD./PT	1	CMU/PT	6	GYP BRD./PT	1	GYP BRD./PT	3	10'-0"					
106	CONTROL ROOM	CONCRETE	5	VINYL	7	CMU/PT	6	CMU/PT	6	GYP BRD./PT	1	CMU/PT	6	SAT	4	10'-0"			
107	BOILER ROOM	CONCRETE	5	NONE	NONE	CMU/PT	6	CMU/PT	6	CMU/PT	6	CMU/PT	6	NONE	NONE	-			

FINISH SCHEDULE			
NUMBER	MATERIAL	COLOR	REMARKS
1	WALL PAINT FOR DRYWALL	X	SHERWIN-WILLIAMS
2	CERAMIC TILE	X	DAL-TILE
3	CEILING PAINT	X	SHERWIN-WILLIAMS
4	ACOUSTICAL CLG. TILE	X	ARMSTRONG
5	EPOXY FLOOR PAINT	X	SHERWIN-WILLIAMS
6	EPOXY PAINT FOR CMU WALLS	X	SHERWIN-WILLIAMS
7	VINYL BASE	X	RDPER
8	DOOR PAINT	X	SHERWIN-WILLIAMS
9	ALUM. STOREFRONT	X	FRAMER
10	HM WINDOW FRAME PAINT	X	SHERWIN-WILLIAMS
11	HM DOOR FRAME PAINT	X	SHERWIN-WILLIAMS
12	PLASTIC LAMINATE	X	WILSONART

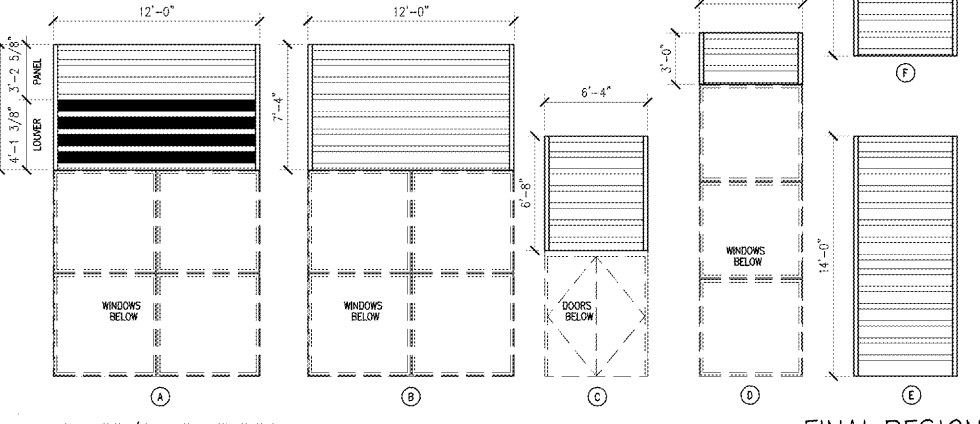
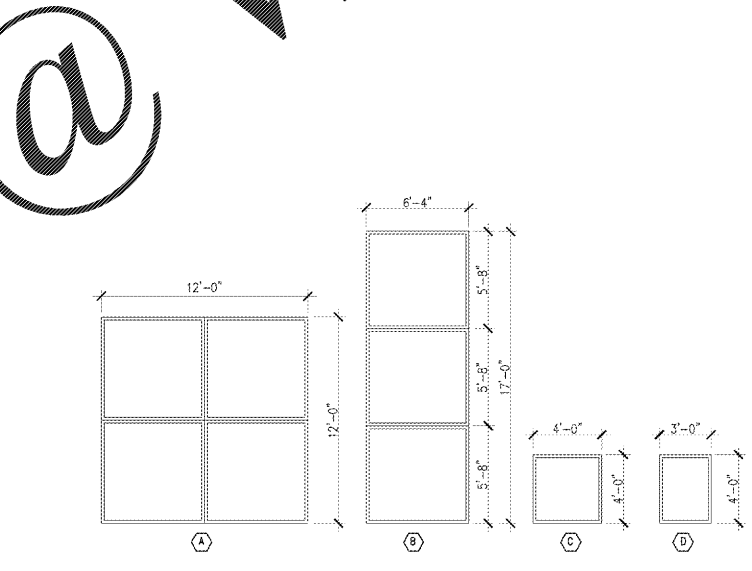
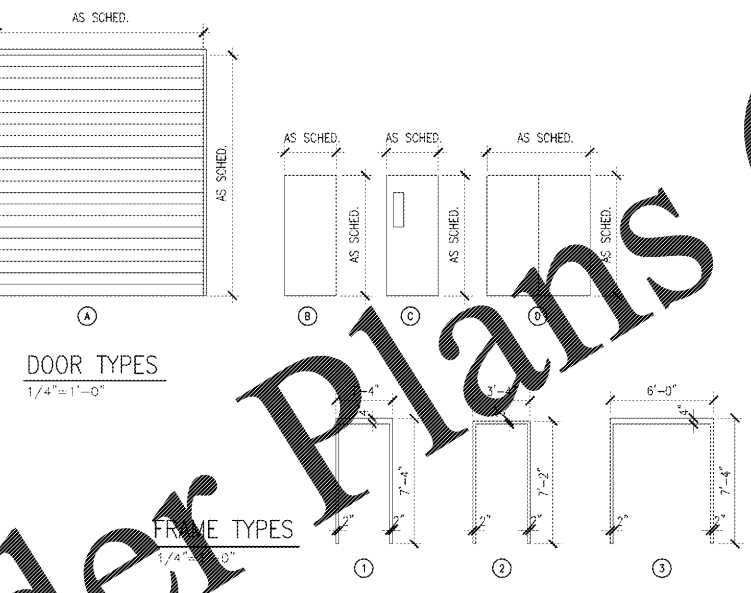
DOOR SCHEDULE												
DOOR NUMBER	DOOR LOCATION	TYPE	MATERIAL	DOOR SIZE		FRAME		HEAD	JAMB	SILL	HARDWARE SETS	REMARKS
				WIDE	HEIGHT	TYPE	MATERIAL					
100	RM 100	C	HM	3'-0"	7'-0"	1	HM	7A601	5/8A601	4A601	SH-E3	IN CMU WALL - EXTERIOR
100A	RM 100	C	HM	3'-0"	7'-0"	1	HM	10A601	9A601	8A601	1	IN CMU WALL - INTERIOR, NO CWB
101	RM 101	B	HM	3'-0"	7'-0"	2	HM	14A601	13A601	12A601	5	IN INTERIOR PARTITION
102	RM 102	B	HM	3'-0"	7'-0"	2	HM	14A601	13A601	11A601	1	IN INTERIOR PARTITION
103	RM 103	B	HM	3'-0"	7'-0"	2	HM	14A601	13A601	11A601	2	IN INTERIOR PARTITION
104	RM 104	B	HM	3'-0"	7'-0"	2	HM	14A601	13A601	11A601	2	IN INTERIOR PARTITION
105A	RM 105	C	HM	3'-0"	7'-0"	1	HM	10A601	9A601	8A601	3D	IN CMU WALL - INTERIOR
105B	RM 105	C	HM	3'-0"	7'-0"	1	HM	7A601	6A601	4A601	SH-E3	IN CMU WALL - EXTERIOR
107A	RM 107	D	HM	PR 3'-0"	7'-0"	3	HM	15A601	6A601	4A601	SH-E9	IN CMU WALL - EXTERIOR
107B	RM 107	D	HM	PR 3'-0"	7'-0"	3	HM	7A601	5/8A601	4A601	SH-E9	IN CMU WALL - EXTERIOR
107C	RM 107	A	HM	12'-0"	14'-0"	-	-	3A601	2A601	1A601	7	IN CMU WALL - EXTERIOR COILING
107D	RM 107	A	HM	12'-0"	14'-0"	-	-	3A601	2A601	1A601	7	IN CMU WALL - EXTERIOR COILING
107E	RM 107	A	HM	12'-0"	14'-0"	-	-	3A601	2A601	1A601	7	IN CMU WALL - EXTERIOR COILING
107F	RM 107	A	HM	12'-0"	14'-0"	-	-	3A601	2A601	1A601	7	IN CMU WALL - EXTERIOR COILING
107G	RM 107	A	HM	12'-0"	14'-0"	-	-	3A601	2A601	1A601	7	IN CMU WALL - EXTERIOR COILING

LOUVER/PANEL SCHEDULE											
MARK	TYPE	MATERIAL	SIZE (V.I.F.)		DETAILS			REMARKS			
			WIDE	HIGH	HEAD	JAMB	SILL				
1	A	ALUM	12'-0"	7'-0"	4A602	3A602	2A602	COMBINATION PANEL & LOUVER UNIT			
2	A	ALUM	12'-0"	7'-0"	4A602	3A602	2A602	COMBINATION PANEL & LOUVER UNIT			
3	A	ALUM	12'-0"	7'-0"	4A602	3A602	2A602	COMBINATION PANEL & LOUVER UNIT			
4	A	ALUM	12'-0"	7'-0"	4A602	3A602	2A602	COMBINATION PANEL & LOUVER UNIT			
5	A	ALUM	12'-0"	7'-0"	4A602	3A602	2A602	COMBINATION PANEL & LOUVER UNIT			
6	B	ALUM	12'-0"	7'-0"	8A602	7A602	6A602	PANEL ONLY			
7	B	ALUM	12'-0"	7'-0"	8A602	7A602	6A602	PANEL ONLY			
8	B	ALUM	12'-0"	7'-0"	8A602	7A602	6A602	PANEL ONLY			
9	B	ALUM	12'-0"	7'-0"	8A602	7A602	6A602	PANEL ONLY			
10	B	ALUM	12'-0"	7'-0"	8A602	7A602	6A602	PANEL ONLY			
11	F	ALUM	6'-0"	20'-0"	11A602	10A602	9A602	PANEL ONLY			
12	F	ALUM	6'-0"	14'-0"	11A602	10A602	9A602	PANEL ONLY			
13	D	ALUM	6'-4"	3'-0"	8A602	10A602	9A602	PANEL ONLY			
14	C	ALUM	6'-4"	6'-8"	11A602	10A602	15A602	PANEL ONLY			

WINDOW SCHEDULE											
MARK	TYPE	MATERIAL	SIZE (V.I.F.)		DETAILS			REMARKS			
			WIDE	HIGH	HEAD	JAMB	SILL				
105	A	ALUM	4'-0"	4'-0"	15A600	7A600	1A600				
105A	A	ALUM	4'-0"	4'-0"	15A600	7A600	1A600				
105B	A	ALUM	4'-0"	4'-0"	15A600	7A600	1A600				
105C	HM	HM	3'-0"	4'-0"	16A600	15A600	14A600				
105D	HM	HM	3'-0"	4'-0"	16A600	15A600	14A600				
105E	HM	HM	3'-0"	4'-0"	16A600	15A600	14A600				
106	B	ALUM	6'-0"	4'-0"	8A600	7A600	5A600				
107A	B	ALUM	6'-0"	4'-0"	8A600	7A600	5A600	(5) 3'-0" x 6'-4"			
107B	A	ALUM	12'-0"	12'-0"	2A600	7A600	1A600	(4) 6'-0" x 6'-0"			
107C	A	ALUM	12'-0"	12'-0"	2A600	7A600	1A600	(4) 6'-0" x 6'-0"			
107D	A	ALUM	12'-0"	12'-0"	2A600	7A600	1A600	(4) 6'-0" x 6'-0"			
107E	A	ALUM	12'-0"	12'-0"	2A600	7A600	1A600	(4) 6'-0" x 6'-0"			
107F	A	ALUM	12'-0"	12'-0"	2A600	7A600	1A600	(4) 6'-0" x 6'-0"			
107G	A	ALUM	12'-0"	12'-0"	8A600	7A600	1A600	(4) 6'-0" x 6'-0"			
107H	A	ALUM	12'-0"	12'-0"	8A600	7A600	1A600	(4) 6'-0" x 6'-0"			
107I	A	ALUM	12'-0"	12'-0"	8A600	7A600	1A600	(4) 6'-0" x 6'-0"			
107J	A	ALUM	12'-0"	12'-0"	8A600	7A600	1A600	(4) 6'-0" x 6'-0"			
107K	A	ALUM	12'-0"	12'-0"	8A600	7A600	1A600	(4) 6'-0" x 6'-0"			

DOOR SCHEDULE NOTES:
 EXTERIOR AND INTERIOR DOOR HARDWARE TO BE PROVIDED IN BRUSHED STAINLESS US 32 D
 ALL MAN. DOORS TO BE GALVANIZED, PRIMED & FIELD PAINTED PER SSPC PA METHOD 1.
FRAME NOTES:
 EXTERIOR AND INTERIOR DOOR FRAMES TO BE WELDED, EXTRA HEAVY DUTY TYPE.
 ALL FRAMES TO BE GALVANIZED, PRIMED & FIELD PAINTED PER SSPC PA METHOD 1.
 HM FRAMES TO BE PAINTED IN SEMI-GLOSS.
 FOR HARDWARE SETS SEE HARDWARE SPECIFICATION SECTION.

WINDOW SCHEDULE NOTES:
 FOR PANEL/LOUVER LOCATIONS SEE ELEVATIONS DWG. A200



FINAL DESIGN APPROVED FOR CONSTRUCTION

CONSULTANTS: ARCHITECT-OF-RECORD WINDAS R. GELBERMAN ARCHITECT/ENGINEERS: AKEA INC. 3803 NW 95th Street, Suite B Gainesville, FL 32606 Phone: (352) 474-6124 Fax: (352) 553-4437 OJA: FL #26693 AKEA Project No. 083-14		Project Title: DOOR, WINDOW AND ROOM FINISH SCHEDULES Approved: Project Director		Project Title: REPLACE BOILERS - FCA D, ENERGY AT THE MALCOM RANDALL VAMC Location: GAINESVILLE, FLORIDA Date: MARCH 9, 2016 Checked: THG Drawn: JG		Project Number: 573-14-600 Building Number: A600 Drawing Number: 46 OF 127		Office of Construction and Facilities Management Department of Veterans Affairs	
---	--	--	--	--	--	--	--	---	--

Vertical scale on the left side of the drawing, showing increments of 1/8 inch and 1/4 inch.

Vertical scale on the right side of the drawing, showing increments of 1/8 inch and 1/4 inch.

Large watermark text: WWW.DIAGRAMLINE.COM

Large diagonal watermark text: Order Plans