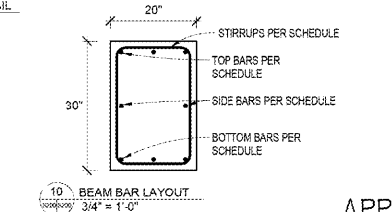
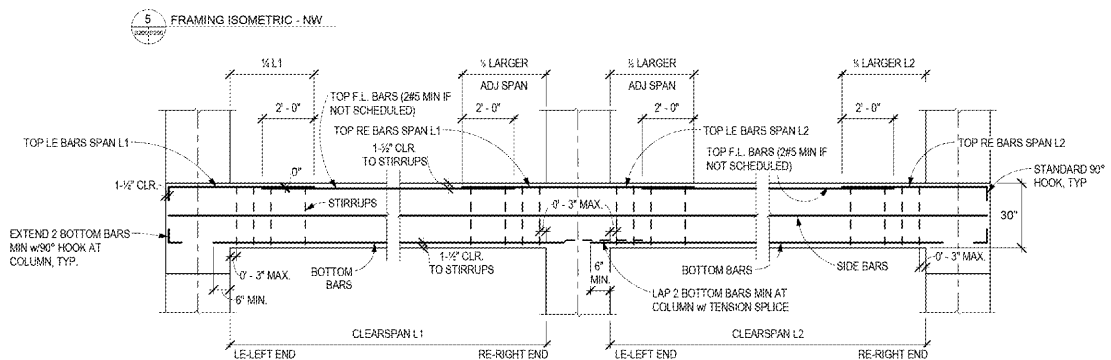
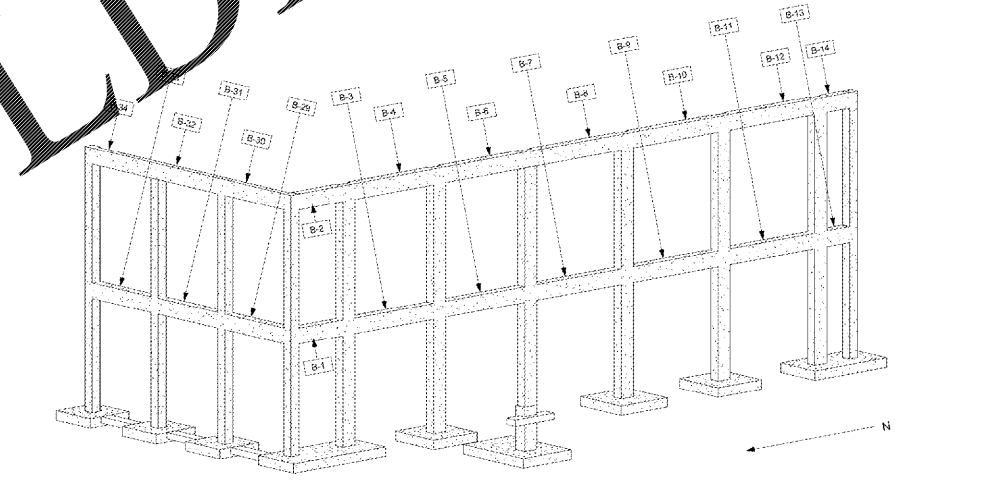
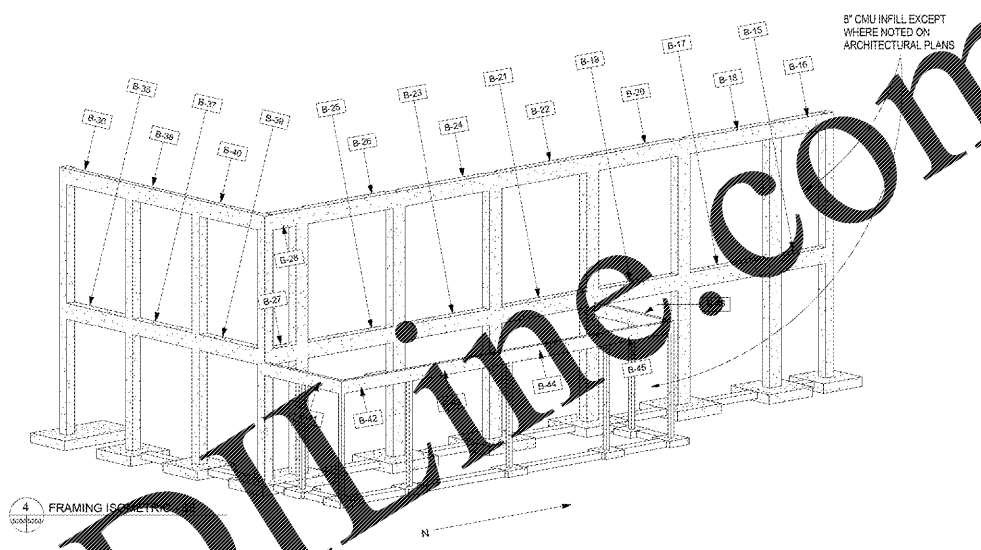
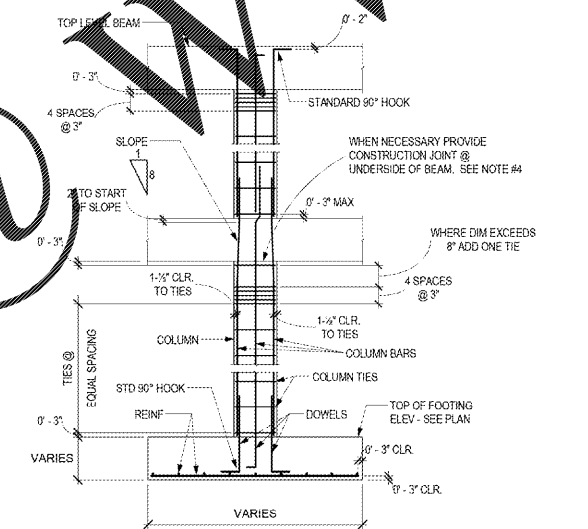


Structural Beam Schedule					
Beam Location	Count	Size	Reinforcing (Bottom - Top - Sides)	Stirrups (Size - Spacing)	End
B-1	1	20" x 30"	3#5 - 3#5 - 2#5	#5: 1@3'; 6@7"	EE
B-2	1	20" x 30"	3#5 - 3#5 - 2#5	#4: 1@3'; 6@9"	EE
B-3	1	20" x 30"	4#5 - 4#5 - 2#5	#5: 1@3'; 10@9"	EE
B-4	1	20" x 30"	3#5 - 3#5 - 2#5	#4: 1@3'; 9@10"	EE
B-5	1	20" x 30"	4#5 - 4#5 - 2#5	#4: 1@3'; 8@11"	EE
B-6, B-15, B-20	3	20" x 30"	3#5 - 3#5 - 2#5	#4: 1@3'; 8@11"	EE
B-7, B-19	2	20" x 30"	4#5 - 4#5 - 2#5	#4: 1@3'; 9@11"	EE
B-8, B-22, B-32, B-38	4	20" x 30"	3#5 - 3#5 - 2#5	#4: 1@3'; 11@9"	EE
B-9	1	20" x 30"	4#5 - 4#5 - 2#5	#4: 1@3'; 11@9"	EE
B-10	1	20" x 30"	3#5 - 3#5 - 2#5	#4: 1@3'; 8@11"	EE
B-11	1	20" x 30"	4#5 - 4#5 - 2#5	#5: 1@3'; 11@8"	EE
B-12	1	20" x 30"	3#5 - 3#5 - 2#5	#4: 1@3'; 11@9"	EE
B-13	1	20" x 30"	3#5 - 3#5 - 2#5	#5: 1@3'; 3@7"	EE
B-14	1	20" x 30"	3#5 - 3#5 - 2#5	#4: 1@3'; 2@9"	EE
B-15	1	20" x 30"	3#5 - 3#5 - 2#5	#5: 1@3'; 5@9"	EE
B-16	1	20" x 30"	3#5 - 3#5 - 2#5	#4: 1@3'; 4@11"	EE
B-17	1	20" x 30"	4#5 - 4#5 - 2#5	#4: 1@3'; 13@7"	EE
B-21, B-23	2	20" x 30"	4#7 - 4#7 - 2#7	#4: 1@3'; 10@10"	EE
B-24	1	20" x 30"	3#5 - 3#5 - 2#5	#4: 1@3'; 9@11"	EE
B-25	1	20" x 30"	4#7 - 4#7 - 2#7	#4: 1@3'; 15@6"	EE
B-26	1	20" x 30"	3#5 - 3#5 - 2#5	#4: 1@3'; 10@10"	EE
B-27	1	20" x 30"	4#5 - 4#5 - 2#5	#5: 1@3'; 2@8"	EE
B-28	1	20" x 30"	3#5 - 3#5 - 2#5	#4: 1@3'; 2@10"	EE
B-29, B-35	2	20" x 30"	4#7 - 4#7 - 2#7	#4: 1@3'; 7@11"	EE
B-30	1	20" x 30"	4#5 - 4#5 - 2#5	#4: 1@3'; 7@11"	EE
B-31, B-37	2	20" x 30"	4#6 - 4#6 - 2#6	#4: 1@3'; 7@11"	EE
B-33	1	20" x 30"	4#6 - 4#6 - 2#6	#4: 1@3'; 7@11"	EE
B-34	1	20" x 30"	3#6 - 3#6 - 2#6	#4: 1@3'; 7@11"	EE
B-36	1	20" x 30"	4#5 - 4#5 - 2#5	--	--
B-39	1	20" x 30"	3#6 - 3#6 - 2#6	#4: 1@3'; 7@11"	EE
B-40	1	20" x 30"	3#6 - 3#6 - 2#6	--	--
B-41 - B-46	6	8" x 24"	2#5 - 2#5 - 2#5	#4: 1@3'; 3@6"	EE

Structural Column Schedule (See Foundation Plan for Column Depths)				
Location	Count	Size	Reinforcing	Dowels
A1, A8, B8, D1, D8	5	20" x 20"	6#7 W/ #4 TIES @ 14" O.C.	#7
A2, A3, A4, A5, A6, A7, D2, D3, D4, D5, D6, D7	12	20" x 20"	6#6 W/ #4 TIES @ 10" O.C.	#6
A4 - BELOW GRADE	1	26" x 26"	6#6 W/ #4 TIES @ 10" O.C.	#6
B1, C1, C8	2	20" x 20"	6#6 W/ #4 TIES @ 10" O.C.	#6
E3.1, E4.1, E5.1, E6.1, E8.1, DE3.1, DE8.1	7	8" x 8"	4#6 W/ #4 TIES @ 8"	4#6



FINAL DESIGN
APPROVED FOR CONSTRUCTION

Order Plans @ WWW.LDIDLINE.COM

CONSULTANTS:	ARCHITECT/ENGINEERS: AKEA INC 3903 NW 98th Street, Suite B Gainesville, FL 32606 Phone: (352) 474-8124 Fax: (352) 553-4437 COA: FL #26683 AKEA Project No. 083-14	Drawing Title: STRUCTURAL FRAMING PLAN	Project Title: REPLACE BOILERS - FCA D. ENERGY AT THE MALCOM RANDALL VAMC	Project Number: 573-14-600	Office of Construction and Facilities Management Department of Veterans Affairs
Revisions:	Approved: Project Director	Location: GAINESVILLE, FLORIDA	Date: MARCH 9, 2018	Building Number: S200	
Date:		Checked: RGW	Drawn: JG	Drawing Number: S200	19 OF 127