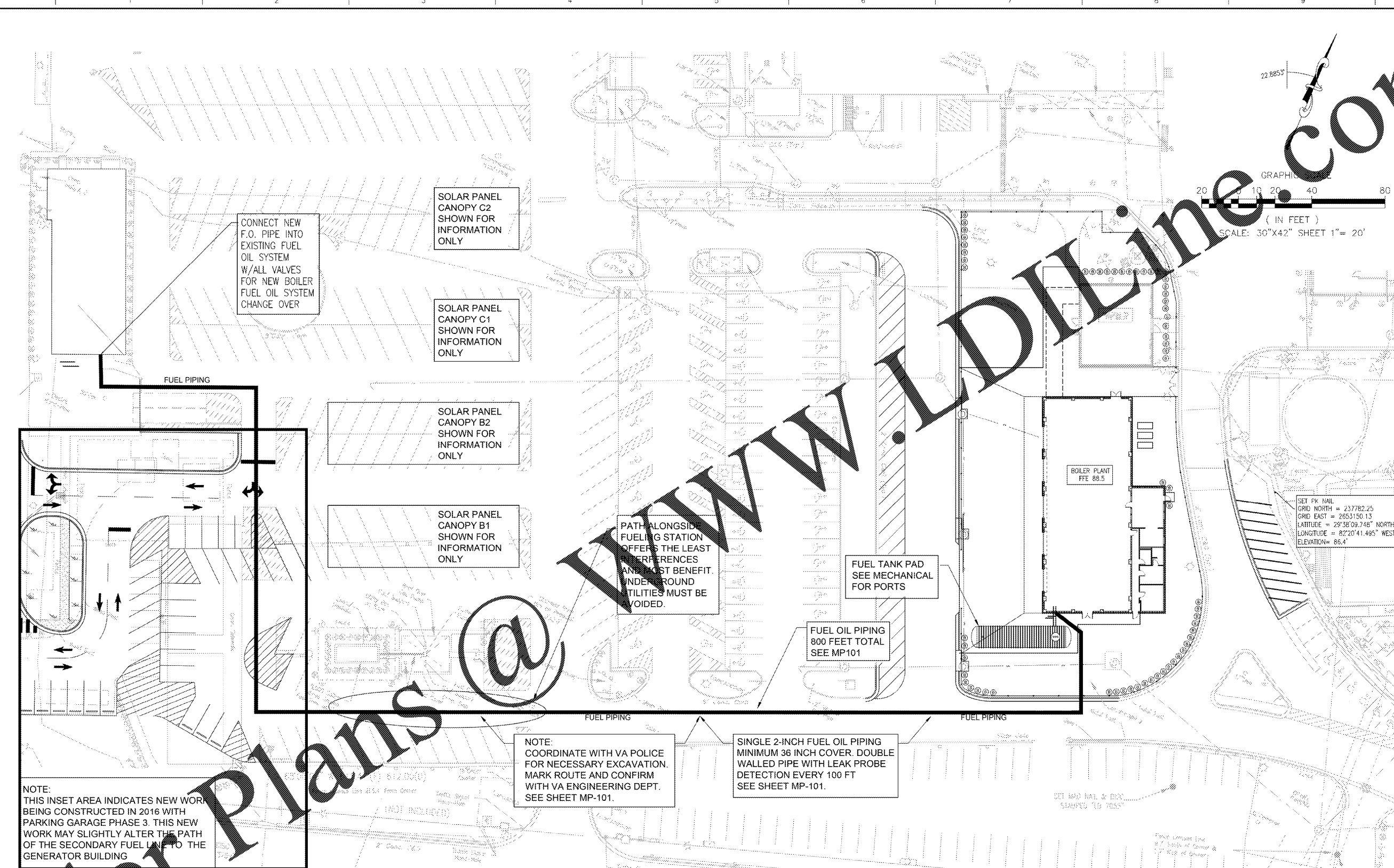
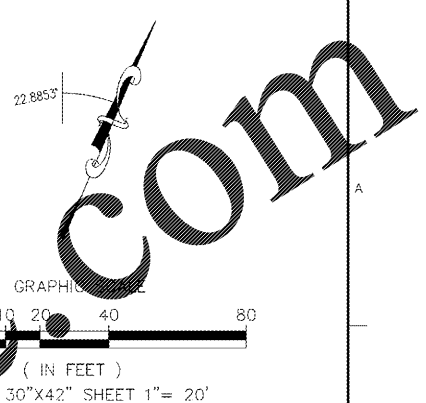


36C209180271

one eighth inch = one foot
 one quarter inch = one foot
 one half inch = one foot
 three eighths inch = one foot
 one inch = one foot
 one and one half inches = one foot
 three inches = one foot



CONNECT NEW F.O. PIPE INTO EXISTING FUEL OIL SYSTEM W/ALL VALVES FOR NEW BOILER FUEL OIL SYSTEM CHANGE OVER

SOLAR PANEL CANOPY C2 SHOWN FOR INFORMATION ONLY

SOLAR PANEL CANOPY C1 SHOWN FOR INFORMATION ONLY

SOLAR PANEL CANOPY B2 SHOWN FOR INFORMATION ONLY

SOLAR PANEL CANOPY B1 SHOWN FOR INFORMATION ONLY

PATH ALONGSIDE FUELING STATION OFFERS THE LEAST INTERFERENCES AND MOST BENEFIT. UNDERGROUND UTILITIES MUST BE AVOIDED.

FUEL TANK PAD SEE MECHANICAL FOR PORTS

FUEL OIL PIPING 800 FEET TOTAL SEE MP-101

SET PK NAIL
 GRID NORTH = 237782.25
 GRID EAST = 2653150.13
 LATITUDE = 29°38'09.748" NORTH
 LONGITUDE = 82°20'41.495" WEST
 ELEVATION = 86.4'

NOTE:
 THIS INSET AREA INDICATES NEW WORK BEING CONSTRUCTED IN 2016 WITH PARKING GARAGE PHASE 3. THIS NEW WORK MAY SLIGHTLY ALTER THE PATH OF THE SECONDARY FUEL LINE TO THE GENERATOR BUILDING

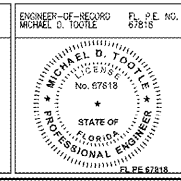
NOTE:
 COORDINATE WITH VA POLICE FOR NECESSARY EXCAVATION. MARK ROUTE AND CONFIRM WITH VA ENGINEERING DEPT. SEE SHEET MP-101.

SINGLE 2-INCH FUEL OIL PIPING MINIMUM 36 INCH COVER. DOUBLE WALLED PIPE WITH LEAK PROBE DETECTION EVERY 100 FT SEE SHEET MP-101.

FINAL DESIGN
 APPROVED FOR CONSTRUCTION

Order Plans @

CONSULTANTS:	
Revisions:	Date



ARCHITECT/ENGINEERS:
AKEA INC.
 3803 NW 98th Street, Suite B
 Gainesville, FL 32606
 Phone: (352) 474-6124
 Fax: (352) 553-4437
 COA: FL #26693
 AKEA Project No. 083-14

Drawing Title
**FUEL PIPING CONNECTION -
 CONNECT FUEL UST TO GENERATOR BLDG**
 Approved: Project Director

Project Title
**REPLACE BOILERS - FCA D. ENERGY
 AT THE MALCOM RANDALL VAMC**
 Location
GAINESVILLE, FLORIDA
 Date
 MARCH 9, 2016
 Checked
 MDT
 Drawn
 JG

Project Number
573-14-600
 Building Number
 Drawing Number
C600
 15 OF 127

Office of
 Construction
 and Facilities
 Management
 Department of
 Veterans Affairs