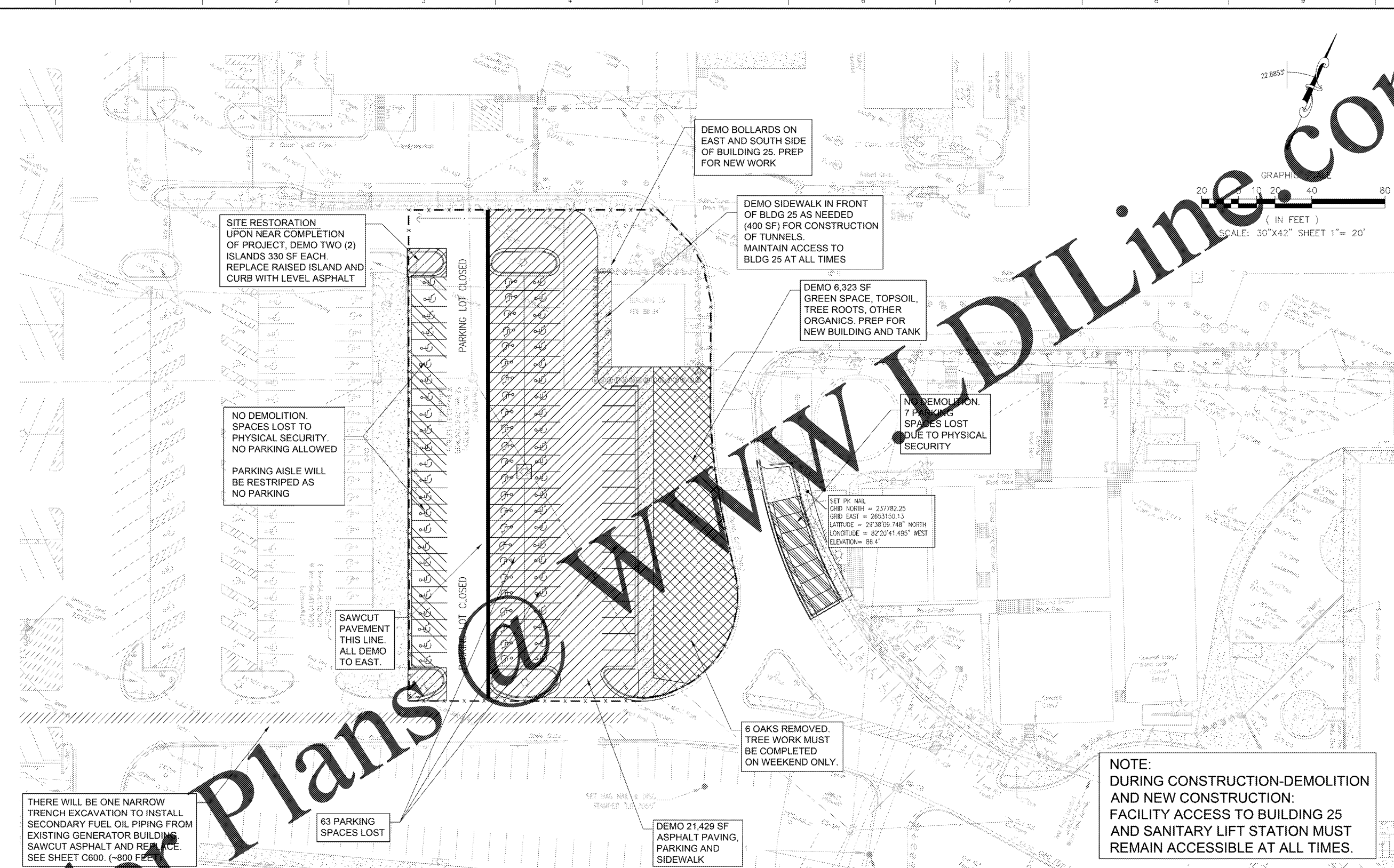
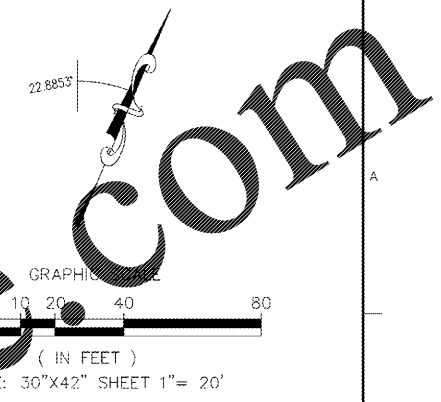


36C209180221

one eighth inch = one foot
 one quarter inch = one foot
 one half inch = one foot
 three eighths inch = one foot
 one inch = one foot
 one and one half inches = one foot
 two inches = one foot
 three inches = one foot
 four inches = one foot
 five inches = one foot
 six inches = one foot
 eight inches = one foot
 ten inches = one foot
 twelve inches = one foot



SITE RESTORATION UPON NEAR COMPLETION OF PROJECT, DEMO TWO (2) ISLANDS 330 SF EACH. REPLACE RAISED ISLAND AND CURB WITH LEVEL ASPHALT

DEMO BOLLARDS ON EAST AND SOUTH SIDE OF BUILDING 25. PREP FOR NEW WORK

DEMO SIDEWALK IN FRONT OF BLDG 25 AS NEEDED (400 SF) FOR CONSTRUCTION OF TUNNELS. MAINTAIN ACCESS TO BLDG 25 AT ALL TIMES

DEMO 6,323 SF GREEN SPACE, TOPSOIL, TREE ROOTS, OTHER ORGANICS. PREP FOR NEW BUILDING AND TANK

NO DEMOLITION. 7 PARKING SPACES LOST DUE TO PHYSICAL SECURITY

SET PK NAIL GRID NORTH = 237782.25 GRID EAST = 2653150.13 LATITUDE = 29°38'09.748\"/>

NO DEMOLITION. SPACES LOST TO PHYSICAL SECURITY. NO PARKING ALLOWED

PARKING AISLE WILL BE RESTRIPTED AS NO PARKING

SAWCUT PAVEMENT THIS LINE. ALL DEMO TO EAST.

6 OAKS REMOVED. TREE WORK MUST BE COMPLETED ON WEEKEND ONLY.

THERE WILL BE ONE NARROW TRENCH EXCAVATION TO INSTALL SECONDARY FUEL OIL PIPING FROM EXISTING GENERATOR BUILDING. SAWCUT ASPHALT AND REPLACE. SEE SHEET C600. (~800 FEET)

63 PARKING SPACES LOST

DEMO 21,429 SF ASPHALT PAVING, PARKING AND SIDEWALK

NOTE: DURING CONSTRUCTION-DEMOLITION AND NEW CONSTRUCTION: FACILITY ACCESS TO BUILDING 25 AND SANITARY LIFT STATION MUST REMAIN ACCESSIBLE AT ALL TIMES.

Order Plans

FINAL DESIGN
 APPROVED FOR CONSTRUCTION

CONSULTANTS: 		ENGINEER-OF-RECORD MICHAEL D. TADDEO No. 67618 STATE OF FLORIDA PROFESSIONAL ENGINEER FL PE NO. 67618		ARCHITECT/ENGINEERS: AKEA INC. 3803 NW 98th Street, Suite B Gainesville, FL 32606 Phone: (352) 474-6124 Fax: (352) 553-4437 COA: FL #26693 AKEA Project No. 083-14		Drawing Title DEMOLITION PLAN Approved: Project Director		Project Title REPLACE BOILERS - FCA D. ENERGY AT THE MALCOM RANDALL VAMC Location GAINESVILLE, FLORIDA Date MARCH 9, 2016 Checked MDT Drawn JG		Project Number 573-14-600 Building Number Drawing Number C200 9 OF 127		Office of Construction and Facilities Management Department of Veterans Affairs	
----------------------	--	--	--	--	--	--	--	---	--	--	--	--	--