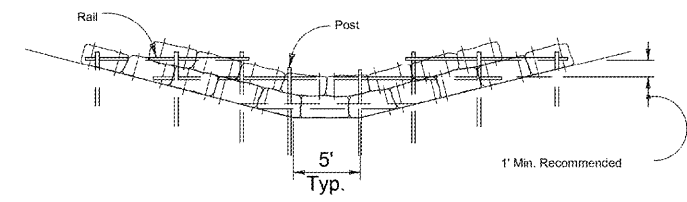
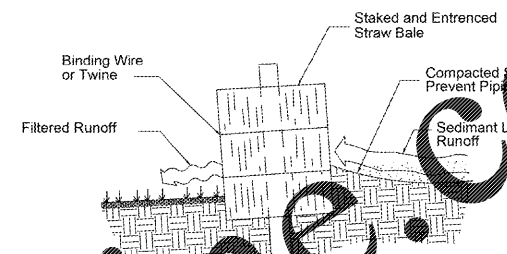


FDOT TYPE III SILT FENCE DETAILS
SCALE: N.T.S. SEE FOOT INDEX 102



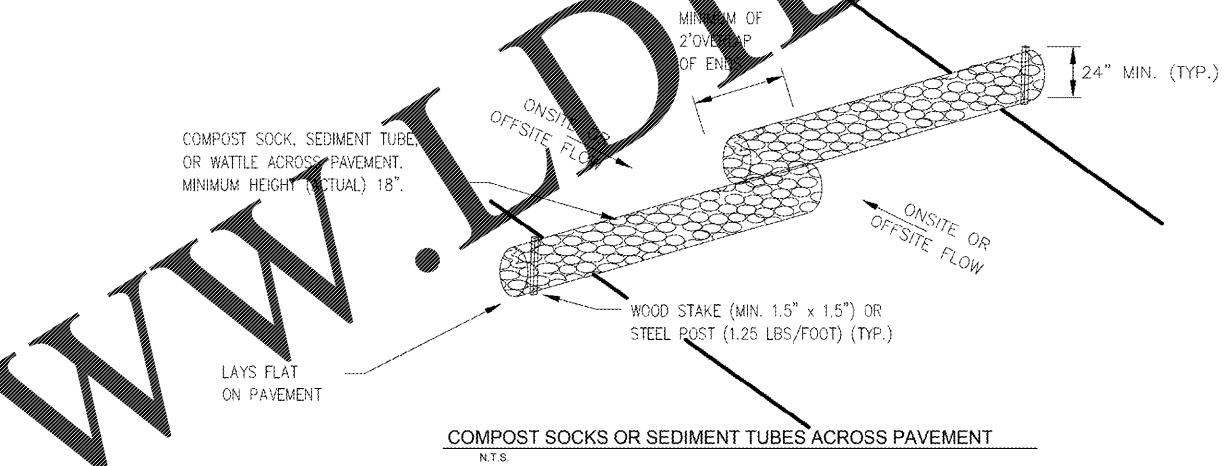
HAY BALE BARRIER FOR UNPAVED DITCHES
REFER TO FDOT DESIGN STANDARDS, INDEX NO. 102



CROSS-SECTION OF A PROPERLY INSTALLED STRAW BALE

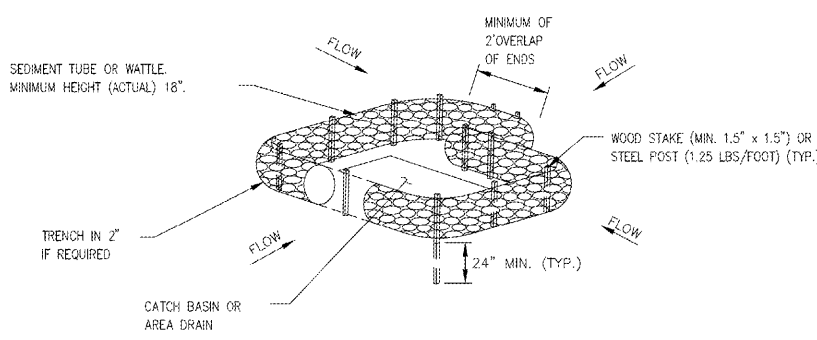
EROSION AND SEDIMENT CONTROL NOTES

1. ALL PRACTICAL AND NECESSARY EFFORT SHALL BE TAKEN, DURING CONSTRUCTION TO CONTROL AND PREVENT EROSION AND TRANSPORT OF SEDIMENT TO SURFACE DRAINS, SURFACE WATER OR OFFSITE.
2. EROSION CONTROL MEASURES WILL BE IN ACCORDANCE WITH THE ST. JOHNS RIVER WATER MANAGEMENT DISTRICT BEST MANAGEMENT PRACTICES, THE FLORIDA DEPARTMENT OF ENVIRONMENTAL PROTECTION NPDES GENERIC PERMIT FOR STORMWATER DISCHARGE FROM SMALL (LESS THAN 5 ACRES) CONSTRUCTION ACTIVITIES, AND THE CONTRACTOR'S STORM WATER POLLUTION PREVENTION PLAN.
3. ALL EROSION CONTROL AND SEDIMENTATION CONTROL DEVICES SHALL BE CONSTRUCTED SIMULTANEOUSLY WITH THE DISTURBANCE OF THE LAND AND SHALL REMAIN FUNCTIONAL UNTIL THE CONTRIBUTING DISTURBED AREAS ARE STABILIZED.
4. SILT BARRIERS SHALL BE INSTALLED AROUND SITE AS DETAILED PRIOR TO ANY CONSTRUCTION ACTIVITY.
5. CONTRACTOR SHALL MAINTAIN AND CONTINUE TO INSTALL SILT BARRIERS AS REQUIRED TO PROVIDE EROSION CONTROL FOR THE CURRENT CONSTRUCTION ACTIVITY.
6. ALL PRACTICAL AND NECESSARY EFFORT SHALL BE TAKEN, DURING CONSTRUCTION TO CONTROL AND PREVENT EROSION AND TRANSPORT OF SEDIMENT TO SURFACE WATER OR OFFSITE.
7. STABILIZATION MEASURES SHALL BE INITIATED AS SOON AS PRACTICABLE IN PORTIONS OF THE SITE WHERE CONSTRUCTION ACTIVITIES HAVE TEMPORARILY OR PERMANENTLY CEASED, BUT IN NO CASE MORE THAN 14 DAYS AFTER THE CONSTRUCTION ACTIVITY IN THAT PORTION OF THE SITE HAS TEMPORARILY OR PERMANENTLY CEASED, UNLESS ACTIVITY IN THAT PORTION OF THE SITE WILL RESUME WITHIN 21 DAYS.
8. ALL SEDIMENT CONTROL MEASURES SHALL BE INSPECTED AT LEAST ONCE EVERY SEVEN CALENDAR DAYS AND AFTER ANY STORM EVENT GREATER THAN 0.5 INCHES OF PRECIPITATION DURING ANY 24 HOUR PERIOD. ALL SEDIMENT CONTROL FEATURES SHALL BE MAINTAINED UNTIL FINAL STABILIZATION HAS BEEN OBTAINED.
9. FILTER FABRIC SHALL BE FASTENED SECURELY TO POSTS.
10. WHEN TWO SECTIONS OF FILTER FABRIC ADJOIN EACH OTHER THEY SHALL BE OVERLAPPED BY SIX INCHES AND FOLDED.
11. POSTS SHALL BE 2" X 4" OR 2-1/2" MIN. DIA. WOOD OR STEEL 1.33#/FT. MIN.
12. SEE FDOT INDEX 102, TYPE III SILT FENCE.

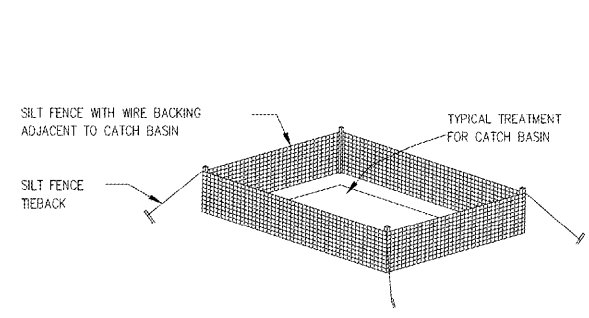


TYPICAL SEDIMENT BARRIERS
SCALE: N.T.S.

CATCH BASIN PROTECTION (TYPE D)



CATCH BASIN PROTECTION (TYPE E)



Order Plans @

FINAL DESIGN
APPROVED FOR CONSTRUCTION

Revisions: _____ Date: _____	CONSULTANTS: 	ENGINEER-OF-RECORD: MICHAEL D. TADOK No. 67618 STATE OF FLORIDA PROFESSIONAL ENGINEER FL PE 67618	ARCHITECT/ENGINEERS: AKEA INC. 3803 NW 98th Street, Suite B Gainesville, FL 32606 Phone: (352) 474-6124 Fax: (352) 553-4437 ODA: FL #26693 AKEA Project No. 083-14	Drawing Title: SEDIMENT AND EROSION CONTROL DETAILS	Project Title: REPLACE BOILERS - FCA D. ENERGY AT THE MALCOM RANDALL VAMC	Project Number: 573-14-600 Building Number: 	Office of Construction and Facilities Management Department of Veterans Affairs
	Approved: Project Director	Location: GAINESVILLE, FLORIDA	Drawing Number: C120 8 OF 127				